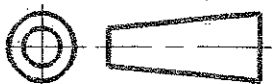


DO NOT SCALE

METRIC

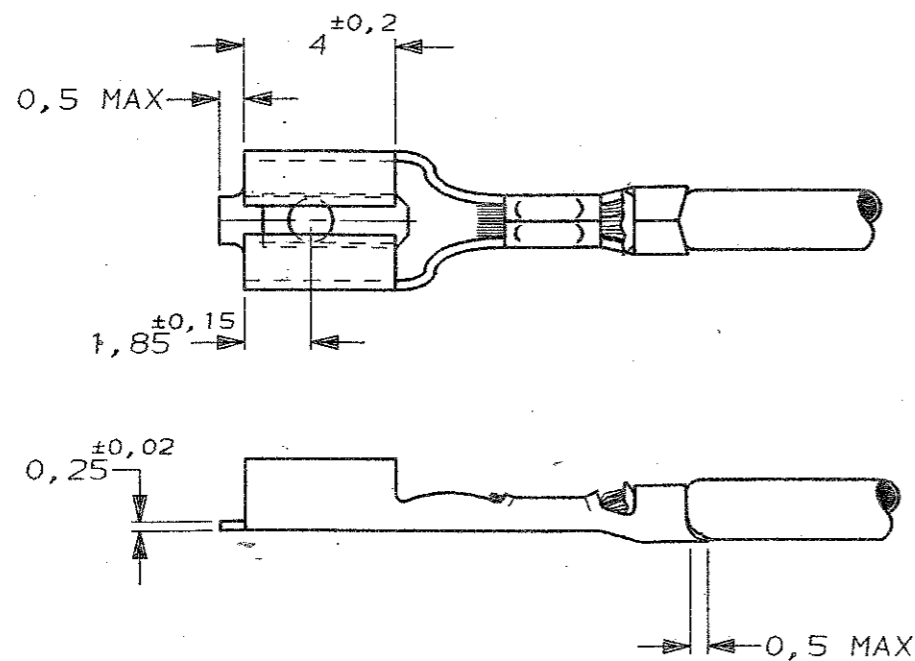
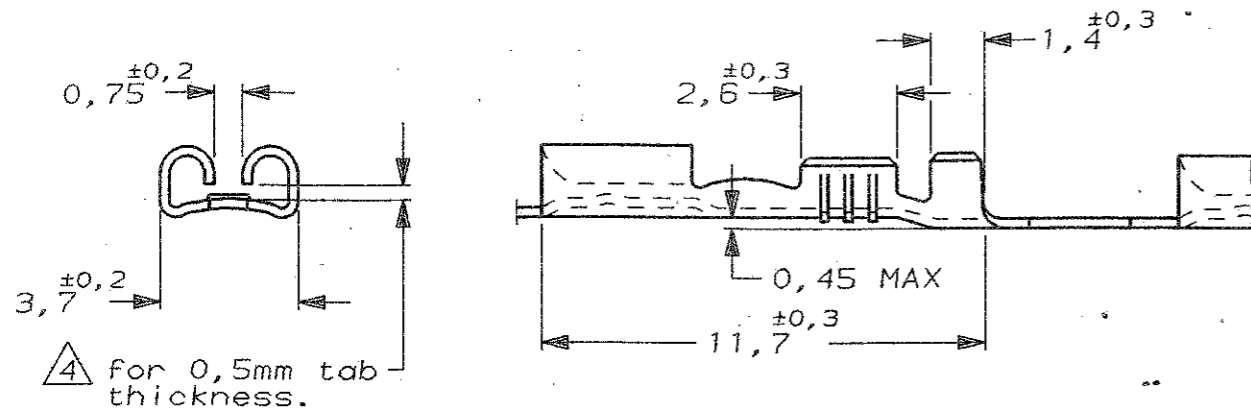
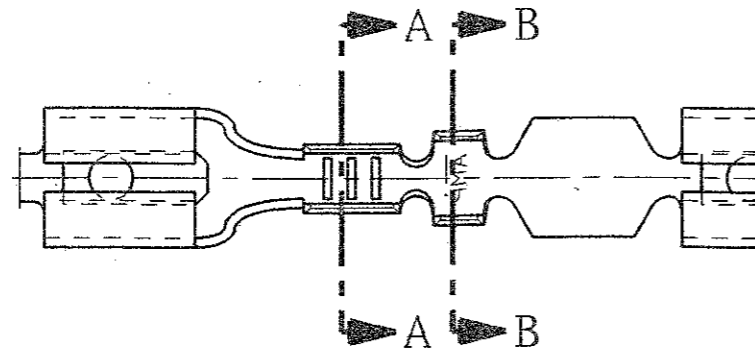
THIRD ANGLE
PROJECTION



DIMENSIONS IN mm

REVISION

LTR	DESCRIPTION	DATE	DWN	APVD
K1	REV PER ECO-09-022178	17DEC09	KK	AEG



NOTES

- 1 FOR USE ON MINIATURE APPLICATORS (LEFT-RIGHT FEED) AND STANDARD APPLICATORS (RIGHT-LEFT FEED).
- 2 BRASS ACC ASTM B36 ALLOY 260.
- 3 PH.BRONZE ACC ASTM B103.
- 4 GAGE 0,45 MUST NOT ENTER , GAGE 0,33 MUST ENTER.
- 5 OBSOLETE PARTS: OBSOLETE CIS STREAMLINING PER D.RENAUD/D.SINISI

NOTES	FINISH	MATERIAL	PARTNUMBER
1 2	TINPLATED	BRASS	160666-5
1 3	TINPLATED	PH.BRONZE	160666-4
5 1 2	UNPLATED	BRASS	160666-5
1 3	GOLDPLATED	PH.BRONZE	160666-2
1 3	UNPLATED	PH.BRONZE	160666-1

CUSTOMER DRAWING

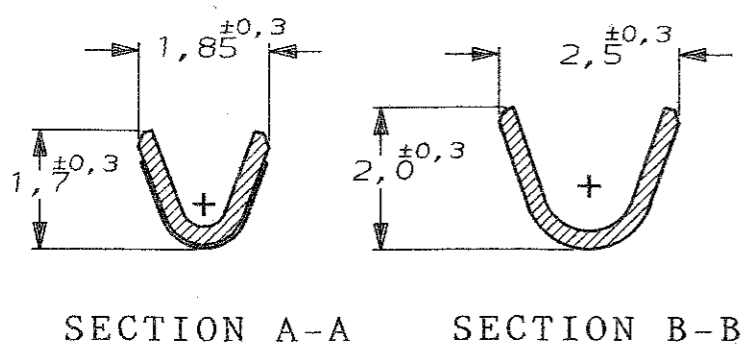
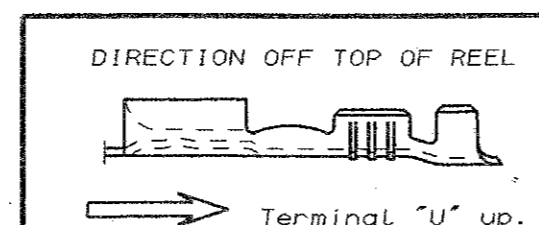
FOR REFERENCE ONLY
WILL NOT BE UPDATED

AMP AMP-HOLLAND B.V.
s-Hertogenbosch, The Netherlands.

THIS DRAWING IS UNPUBLISHED RELEASED FOR PUBLICATION oct , 1986

© COPYRIGHT 1986 BY AMP-HOLLAND B.V.
ALL INTERNATIONAL RIGHTS RESERVED.
AMP PRODUCTS MAY BE COVERED BY U.S. AND FOREIGN PATENTS AND/OR PATENTS PENDING.

DR.	DATE	WIRE RANGE	NAME	REV. DATE
R.v.Lokven	06.10.86	0,12-0,35mm ²	.110 SRS FASTON RECEPTACLE. (short version).	D M Y
CHK. A.B.	07.10.86	INSUL. RANGE 0,9-1,6mmDIA		06 10 86
APP. L.v.Soest	07.10.86	SIZE A3	SHEET 1 OF 1	REV.LTR. K1



8 | 7 | 6 | 5 | 4 | 3 | 2 | 1

Mouser Electronics

Authorized Distributor

Click to View Pricing, Inventory, Delivery & Lifecycle Information:

[TE Connectivity:](#)

[160666-5](#)