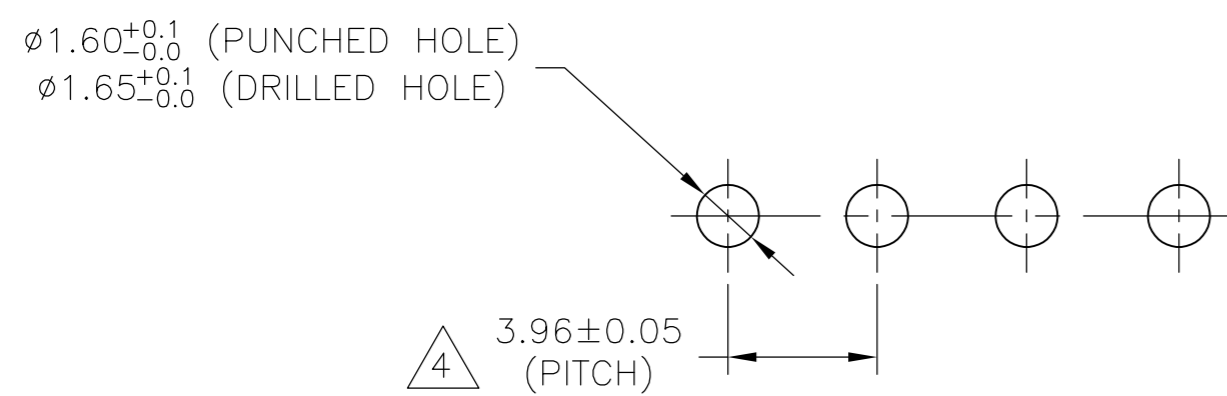
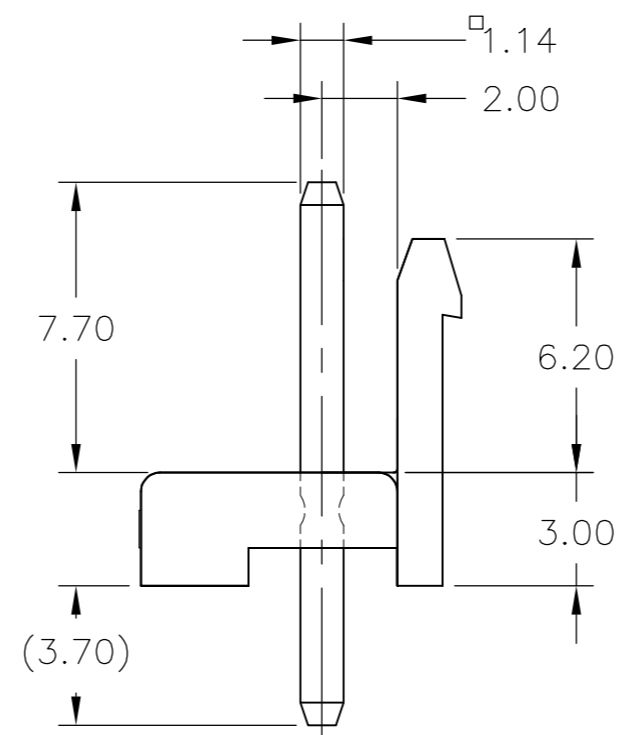
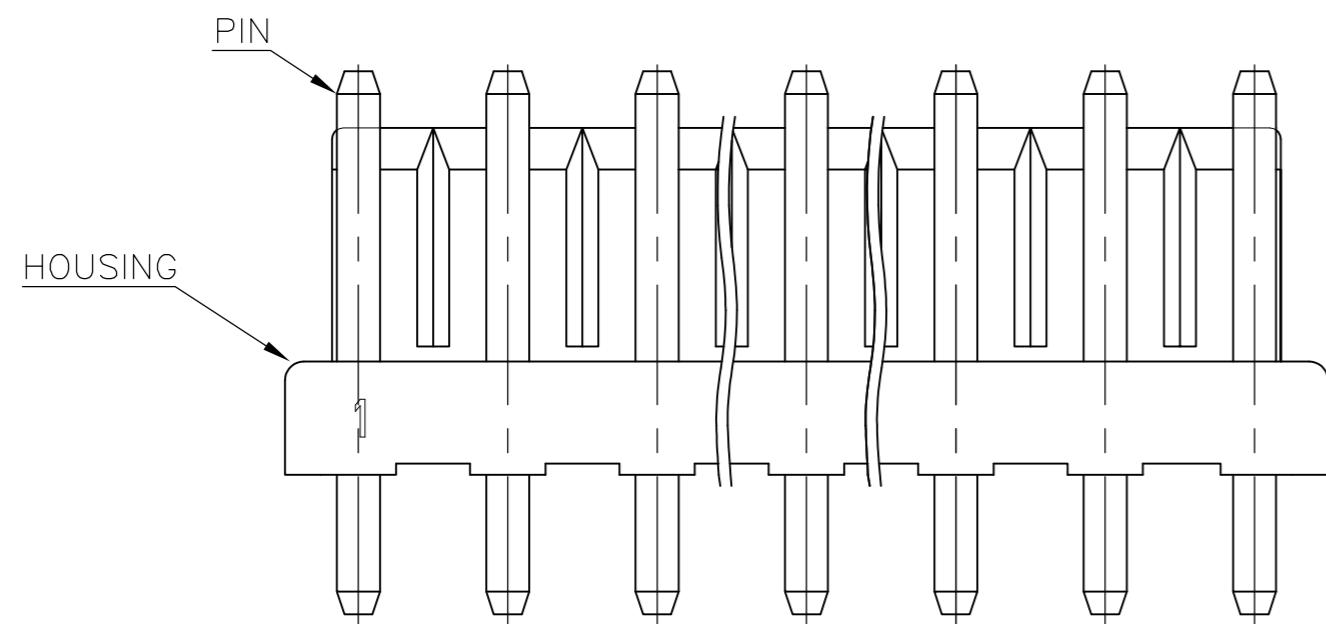
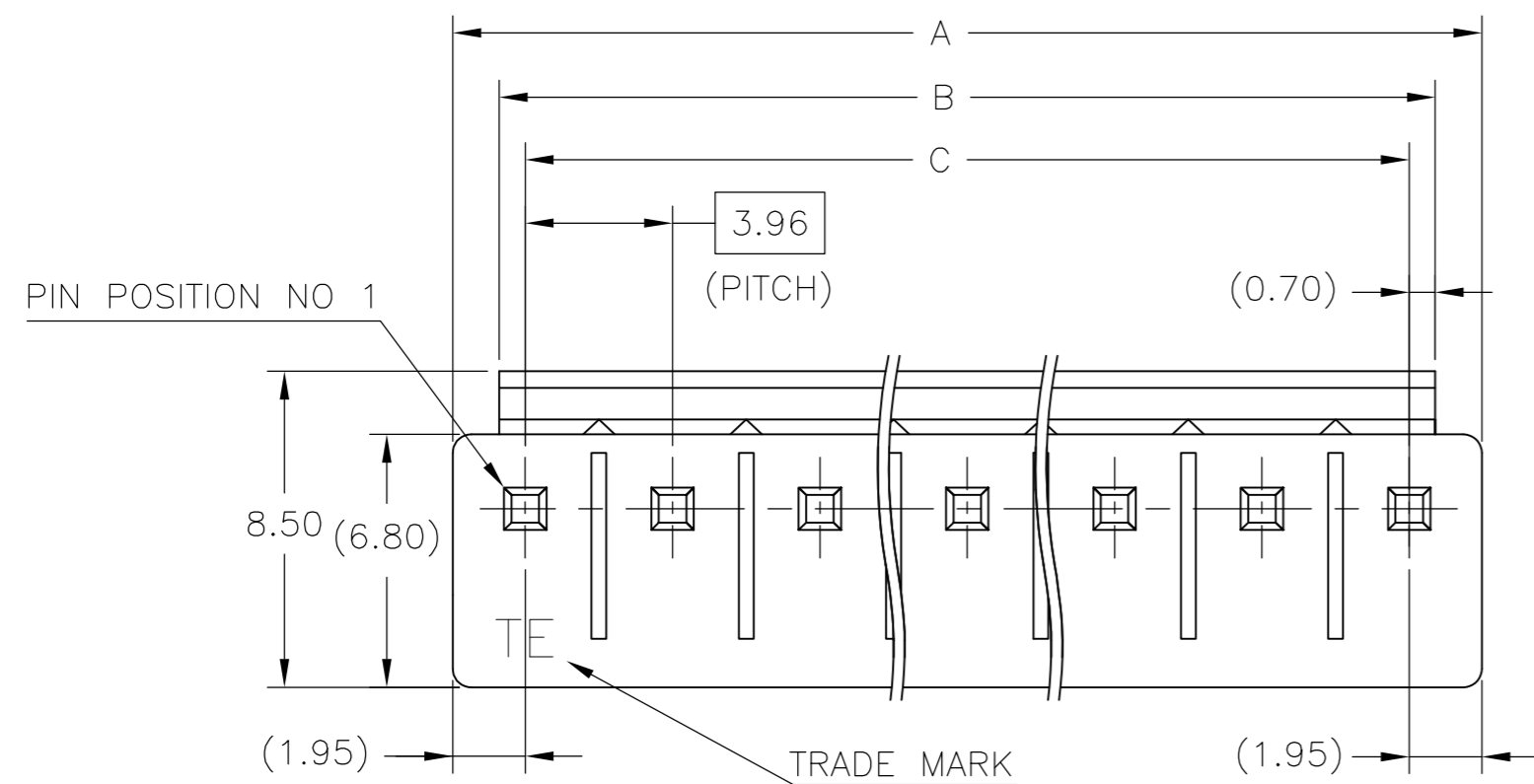


THIS DRAWING IS UNPUBLISHED. RELEASED FOR PUBLICATION
 © COPYRIGHT - By - ALL RIGHTS RESERVED.

REVISIONS				
P	LTR	DESCRIPTION	DATE	APVD
AA3		REVISED PER ECR-16-017535	23JAN2017	O.C D.Z



2 FIG.1

- 1 MATING CONN P/N: □-1123722-□
- 2 APPLICABLE P.C.B LAYOUT: SEE FIG. 1
- 3 APPLICABLE P.C.B THICKNESS: 1.60
- 4 SKETCHES SHOW NO PINS MISSING.
- 6 PIN: POST TIN OVER BRASS
- 7 HOUSING: PBT, 30% GLASS, UL94-V0.
- 8 ○ : WITH PIN,
X : WITHOUT PIN.
- 10 SUPERSEDED BY 1744489-2.
- 11 SUPERSEDED BY 1744489-4.
- 12 SUPERSEDED BY 1744489-5.
- 13 SUPERSEDED BY 1744489-6.
- 14 SUPERSEDED BY 1744489-7.
- 15 SUPERSEDED BY 1744489-8.
- 16 SUPERSEDED BY 1744489-9.
- 17 SUPERSEDED BY 1-1744489-0.
- 18 SUPERSEDED BY 1-1744489-1.

THIS DRAWING IS A CONTROLLED DOCUMENT.		DWN N.YAMASAKI 13MAR'01	TE Connectivity	
DIMENSIONS: mm		CHK M.SHINDO 13MAR'01		
TOLERANCES UNLESS OTHERWISE SPECIFIED:		APVD Y.KASHIWA 13MAR'01	NAME 3.96MM PITCH ECONOMY POWER(EP) CONN HEADER ASSY	
0 PLC ± 1 PLC ± 0.50 2 PLC ± 0.30 3 PLC ± 4 PLC ± ANGLES ± FINISH SEE TABLE		PRODUCT SPEC 108-5609	SIZE A2	CAGE CODE 00779
MATERIAL SEE TABLE		APPLICATION SPEC -	DRAWING NO C-1123723	RESTRICTED TO -
SEE TABLE		WEIGHT	SCALE 5:1	SHEET 1 of 2
CUSTOMER DRAWING		REV AA3		

THIS DRAWING IS UNPUBLISHED. RELEASED FOR PUBLICATION
 © COPYRIGHT - By - ALL RIGHTS RESERVED.

REVISIONS					
P	LTR	DESCRIPTION	DATE	DWN	APVD
-	-	SEE SHEET 1	-	-	-

PIN POSITION	DIMENSION	COLOR	POS	ASS'Y P/N
1	27.72	NATURAL	8	7-1123723-8
2	29.12	GREEN	8	6-1123723-8
3	31.62	BLACK	8	5-1123723-8
4		RED	8	4-1123723-8
5		BLUE	8	3-1123723-8
6		YELLOW	8	2-1123723-8
7		NATURAL	8	1-1123723-8
8		NATURAL	7	7-1123723-7
9		GREEN	7	6-1123723-7
10		BLACK	7	5-1123723-7
11		RED	7	4-1123723-7
12		BLUE	7	3-1123723-7
13		YELLOW	7	2-1123723-7
14		NATURAL	7	1-1123723-7
15		NATURAL	6	7-1123723-6
16		GREEN	6	6-1123723-6
17		BLACK	6	5-1123723-6
18		RED	6	4-1123723-6
19		BLUE	6	3-1123723-6
20		YELLOW	6	2-1123723-6
21		NATURAL	6	1-1123723-6
22		NATURAL	5	7-1123723-5
23		GREEN	5	6-1123723-5
24		BLACK	5	5-1123723-5
25		RED	5	4-1123723-5
26		BLUE	5	3-1123723-5
27		YELLOW	5	2-1123723-5
28		NATURAL	5	1-1123723-5
29		NATURAL	4	7-1123723-4
30		GREEN	4	6-1123723-4
31		BLACK	4	5-1123723-4
32		RED	4	4-1123723-4
33		BLUE	4	3-1123723-4
34		YELLOW	4	2-1123723-4
35		NATURAL	4	1-1123723-4
36		NATURAL	3	7-1123723-3
37		GREEN	3	6-1123723-3
38		BLACK	3	5-1123723-3
39		RED	3	4-1123723-3
40		BLUE	3	3-1123723-3
41		YELLOW	3	2-1123723-3
42		NATURAL	3	1-1123723-3
43		NATURAL	2	7-1123723-2
44		GREEN	2	6-1123723-2
45		BLACK	2	5-1123723-2
46		RED	2	4-1123723-2
47		BLUE	2	3-1123723-2
48		YELLOW	2	2-1123723-2
49		NATURAL	2	1-1123723-2

PIN POSITION	DIMENSION	COLOR	POS	ASS'Y P/N
1	39.60	NATURAL	11	8-1123723-1
2	41.00	GREEN	11	6-1123723-1
3	43.50	BLACK	11	5-1123723-1
4		RED	11	4-1123723-1
5		BLUE	11	3-1123723-1
6		YELLOW	11	2-1123723-1
7		NATURAL	11	1-1123723-1
8		NATURAL	10	7-1123723-0
9		GREEN	10	6-1123723-0
10		BLACK	10	5-1123723-0
11		RED	10	4-1123723-0
12		BLUE	10	3-1123723-0
13		YELLOW	10	2-1123723-0
14		NATURAL	10	1-1123723-0
15		NATURAL	9	7-1123723-9
16		GREEN	9	6-1123723-9
17		BLACK	9	5-1123723-9
18		RED	9	4-1123723-9
19		BLUE	9	3-1123723-9
20		YELLOW	9	2-1123723-9
21		NATURAL	9	1-1123723-9

THIS DRAWING IS A CONTROLLED DOCUMENT.

DWN	N.YAMASAKI	13MAR'01
CHK	M.SHINDO	13MAR'01
APVD	Y.KASHIWA	13MAR'01
PRODUCT SPEC	108-5609	
APPLICATION SPEC	-	
WEIGHT		
CUSTOMER DRAWING		

STE TE Connectivity

3.96MM PITCH ECONOMY POWER(EP) CONN HEADER ASSY

SIZE	A2	CAGE CODE	00779	DRAWING NO	C=1123723	RESTRICTED TO	-
SCALE	5:1	SHEET	2 of 2	REV	AA3		

Mouser Electronics

Authorized Distributor

Click to View Pricing, Inventory, Delivery & Lifecycle Information:

[TE Connectivity:](#)

[1-1123723-8](#)