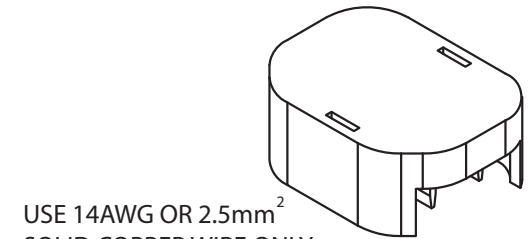
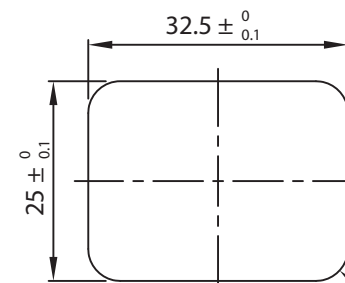
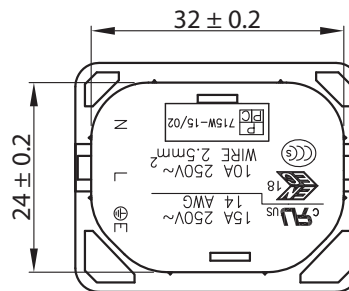
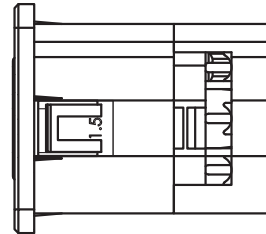
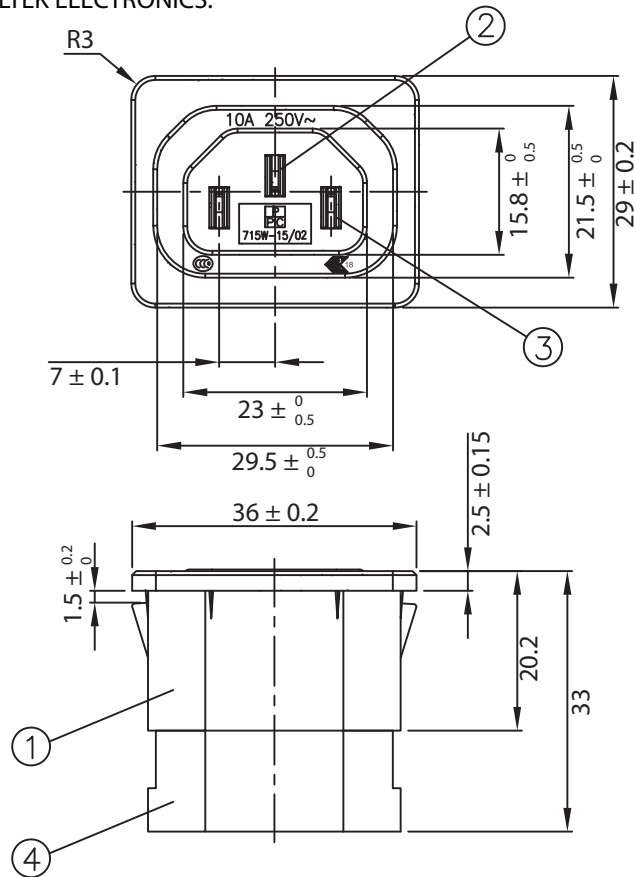
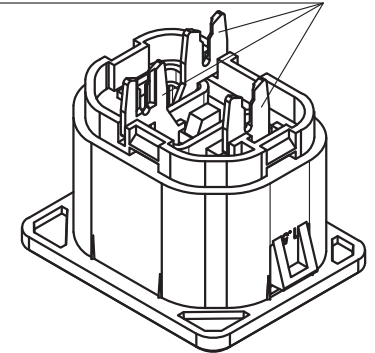


THESE DRAWINGS ARE THE PROPERTY OF QUALTEK ELECTRONICS AND NOT TO BE REPRODUCED FOR OR COMMUNICATED TO A THIRD PARTY WITHOUT THE EXPRESS WRITTEN PERMISSION OF AN OFFICER OF QUALTEK ELECTRONICS.



USE 14AWG OR 2.5mm²
SOLID COPPER WIRE ONLY
(WIRE DIAMETER 1.6~1.75mm)



PANEL CUTOUT R4MAX **CONTROLLED**

NOTES:

RATING:

UL, cUL: 15A 250V AC
ENEC, CCC: 10A 250V AC
APPROVALS: UL, cUL, ENEC, CCC
PANEL THICKNESS: 1.5mm
PRODUCT SHIPPED UNASSEMBLED
RoHS COMPLIANT

| REVISION | | | |
|----------|-------------|------|----------|
| REV. | DESCRIPTION | DATE | APPROVED |
| | | | |
| | | | |

| | | |
|---|--|---|
| 4 | Cover back of the body, PC Black Color | 1 |
| 3 | Contact PIN Brass Strip t=0.8mm Tin-Plated | 1 |
| 2 | Contact PIN Brass Strip t=0.8mm Tin-Plated | 2 |
| 1 | Body Insulator PC Black Color | 1 |

| Dim range (mm) | Tolerance +/- (mm) | Qualtek Electronics Corp. PPC DIVISION | | |
|----------------|--------------------|---|----------------|-----------------|
| | | Part Number: 715W-15/02 | RoHS Compliant | |
| 0-1 | 0.30 | Description: AC RECEPTACLE | | |
| 1-6 | 0.40 | | | |
| 6-18 | 0.45 | UNIT: mm | | |
| 18-50 | 0.50 | Drawn / Date | Checked / Date | Approved / Date |
| 50-120 | 0.70 | R. Nuti 07-12-16 | 07-12-16 | LY / 07-12-16 |
| 120-250 | 0.90 | | | |
| 250-500 | 1.20 | | | |

Mouser Electronics

Authorized Distributor

Click to View Pricing, Inventory, Delivery & Lifecycle Information:

[Qualtek:](#)

[715W-15/02](#)