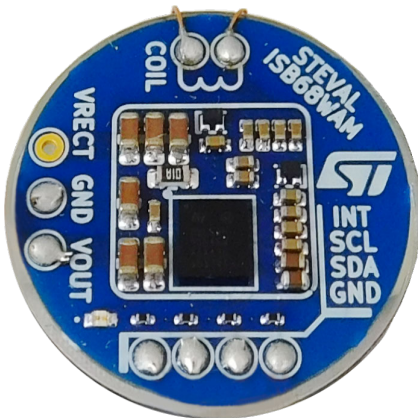


Qi-based wireless power receiver reference design for wearable applications up to 2.5 W using STWLC68



Features

- Based on [STWLC68](#) wireless power receiver
- Designed according to Qi 1.2.4 specifications
- Constant 5 V output voltage (default setting)
- Up to 2.5 W output power
- Foreign Object Detection (FOD) supported
- 400 kHz I²C interface for communication with host system
- Compact 10x10 mm application area
- Complete kit includes receiver board, USB-to-I²C bridge dongle and GUI
- RoHS compliant

Description

The [STEVAL-ISB68WA](#) is a reference design for wearable applications based on the [STWLC68](#) wireless power receiver. The kit includes a receiver board with a small 15 mm diameter receiving coil and provides a constant output voltage with 2.5 W maximum output power.

The board supports Foreign Object Detection (FOD) for safe operation and is ready for immediate use when placed on a suitable wireless power transmitter.

An on-board LED indicates connection with the transmitter succeeds and enabled output voltage, and a programmable interrupt output is available to inform the host system in user applications.

The complete application is confined in a 10x10 mm PCB area and the layout is designed to facilitate probing and user customization.

A free [STSW-ISB68GUI](#) Graphic User Interface (GUI) is provided to monitor and configure the receiver on your PC using the USB-to-I²C dongle included in the kit.

Product summary	
reference design based on STWLC68 wireless power receiver for wearable applications	STEVAL-ISB68WA
Qi-compliant inductive wireless power receiver for 5W applications	STWLC68
GUI for developing applications using the STWLC68 wireless power receiver	STSW-ISB68GUI
Applications	Wireless Chargers Wearable

1 Layout of components

Figure 1. receiver board silk screens - top and bottom

U1: STWLC68 wireless power receiver

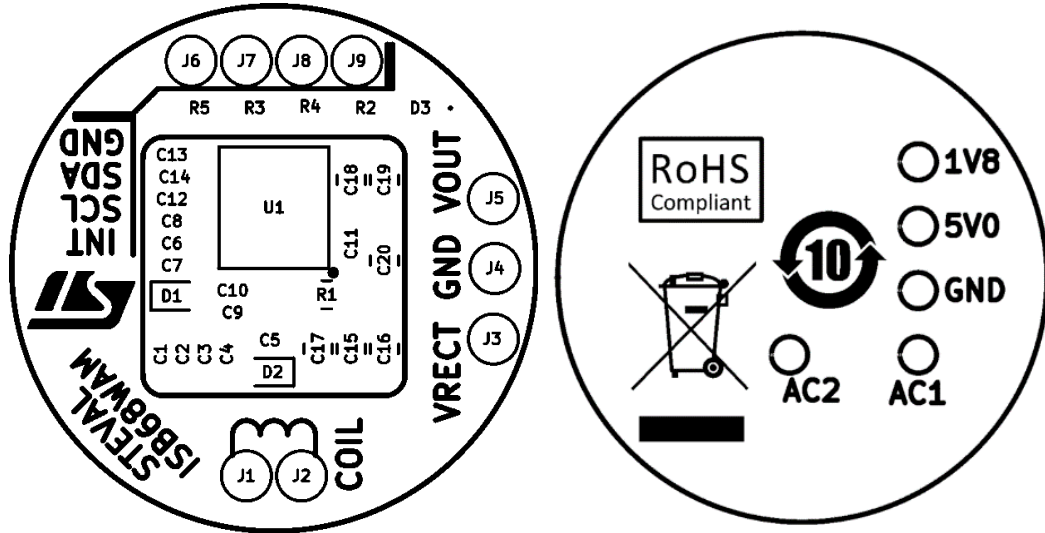
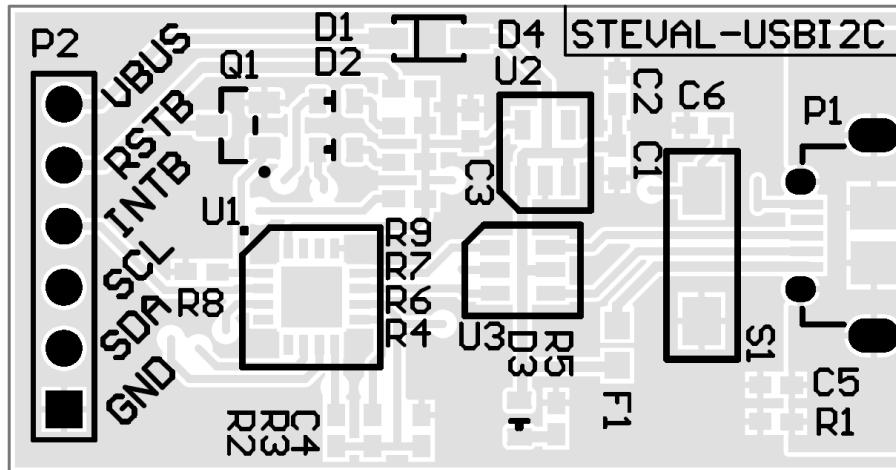


Figure 2. USB-to-I²C dongle silk screen

- U1: USB Interface IC
- U2: LDO voltage regulator
- U3: ESD Suppressor
- P1: USB connector
- P2: Connector for specific STWLC68 pins



2 Schematic diagrams

Figure 3. STEVAL-ISB68WA receiver board schematic diagrams

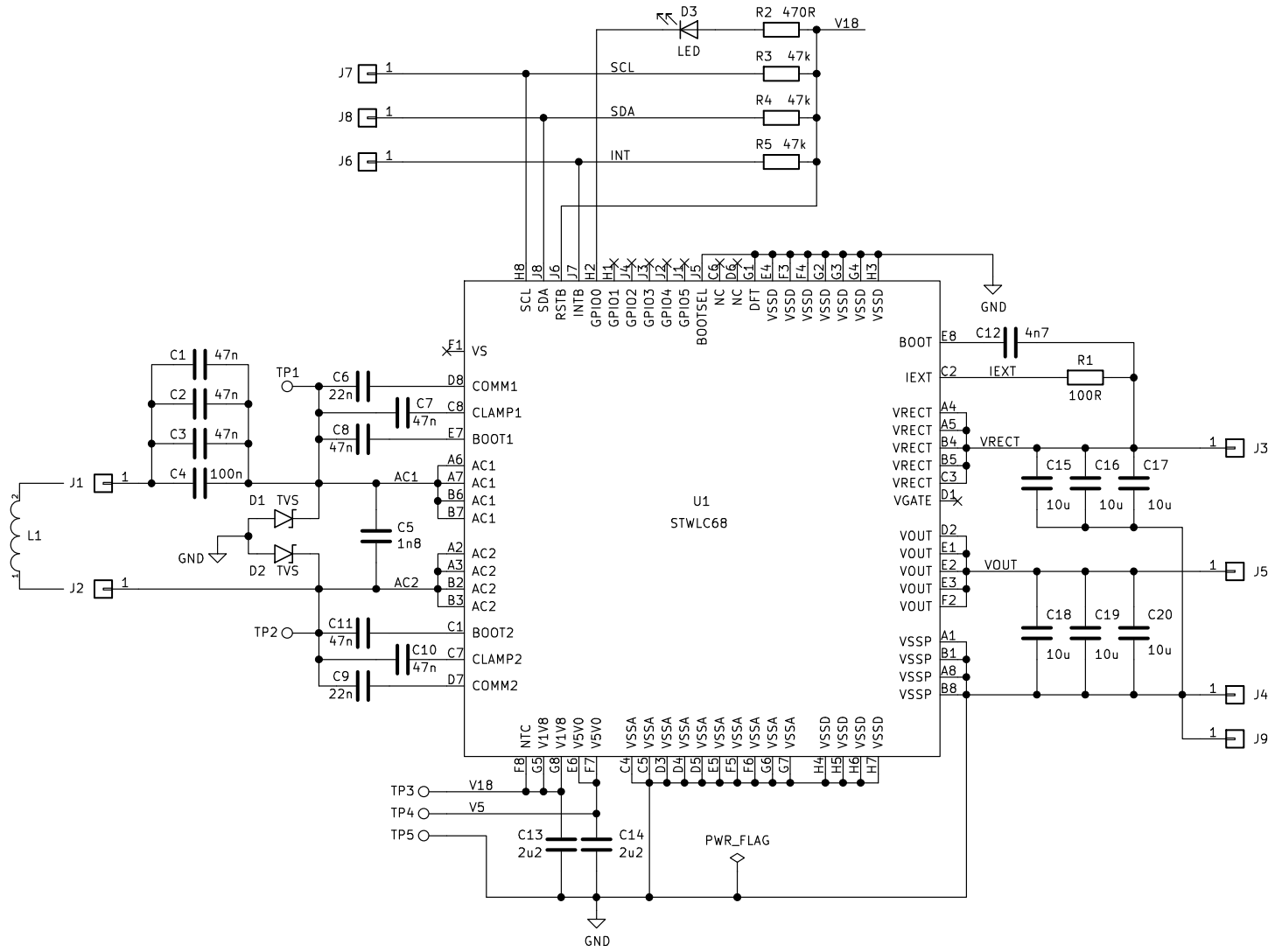
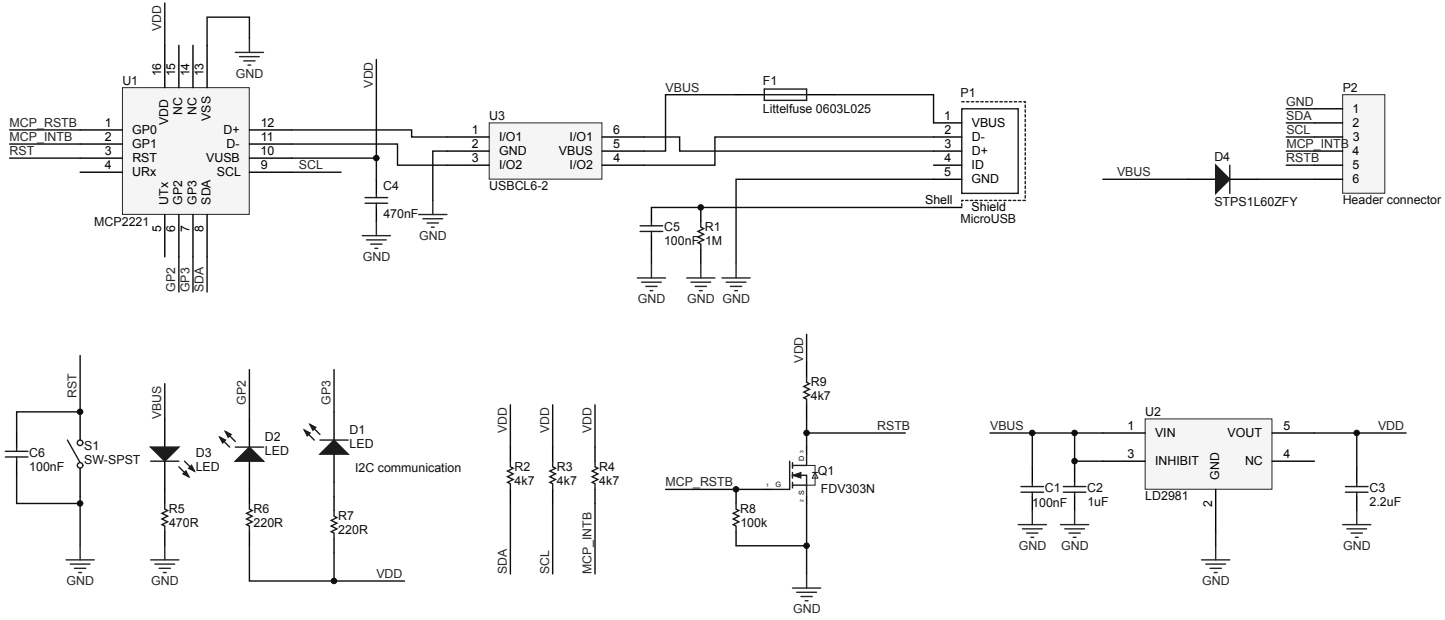


Figure 4. USB-to-I²C dongle schematic diagrams



Revision history

Table 1. Document revision history

Date	Version	Changes
10-Jan-2020	1	Initial release.
27-Jan-2020	2	Updated cover page image.

IMPORTANT NOTICE – PLEASE READ CAREFULLY

STMicroelectronics NV and its subsidiaries (“ST”) reserve the right to make changes, corrections, enhancements, modifications, and improvements to ST products and/or to this document at any time without notice. Purchasers should obtain the latest relevant information on ST products before placing orders. ST products are sold pursuant to ST’s terms and conditions of sale in place at the time of order acknowledgement.

Purchasers are solely responsible for the choice, selection, and use of ST products and ST assumes no liability for application assistance or the design of Purchasers’ products.

No license, express or implied, to any intellectual property right is granted by ST herein.

Resale of ST products with provisions different from the information set forth herein shall void any warranty granted by ST for such product.

ST and the ST logo are trademarks of ST. For additional information about ST trademarks, please refer to www.st.com/trademarks. All other product or service names are the property of their respective owners.

Information in this document supersedes and replaces information previously supplied in any prior versions of this document.

© 2020 STMicroelectronics – All rights reserved

Mouser Electronics

Authorized Distributor

Click to View Pricing, Inventory, Delivery & Lifecycle Information:

[STMicroelectronics:](#)

[STEVAL-ISB68WA](#)