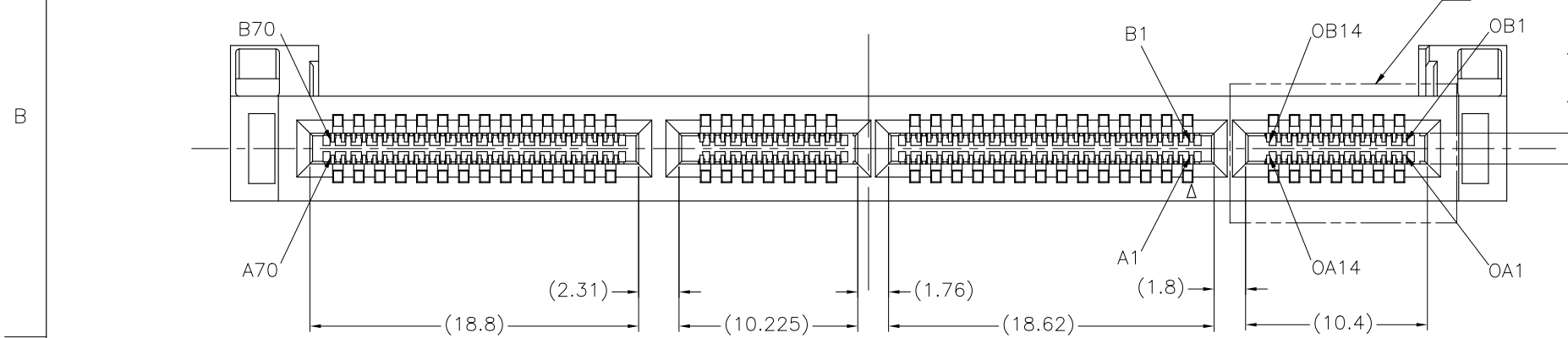


REVISIONS

| P | LTR | DESCRIPTION | DATE | DWN | APVD |
|---|-----|-------------|----------|-----|------|
| G | | REVISED | 1JUL2021 | M.T | H.T |



| PLATING | PACKAGING | SCREW INCLUSION | △5 DIM A | △4 DIM B (HOST BOARD THICKNESS) | PARTS No. | |
|------------|-------------|-----------------|----------|---------------------------------|-------------|-------------|
| 0.76 μm Au | SOFT TRAY | YES | 0 | 1.57 ±0.15 | 2340321-1 | |
| | | NO | 0 | 1.57 ±0.15 | 2340321-3 | |
| | | YES | 0.3 | 1.93 ±0.19 | 1-2340321-2 | |
| | | NO | 0.3 | 1.93 ±0.19 | 1-2340321-4 | |
| | | YES | 0 | 2.11 ±0.21 | 1-2340321-6 | |
| | | YES | 0 | 2.36 ±0.23 | 2-2340321-1 | |
| | | NO | 0 | 2.36 ±0.23 | 2-2340321-3 | |
| | | YES | 0 | 2.55 ±0.23, 2.6 ±0.23 | 4-2340321-1 | |
| | | NO | 0 | 2.55 ±0.23, 2.6 ±0.23 | 4-2340321-3 | |
| | | YES | 0 | 2.79 ±0.23 | 4-2340321-6 | |
| | | HARD TRAY | YES | 0 | 1.57 ±0.15 | 5-2340321-1 |
| | | | NO | 0 | 1.57 ±0.15 | 5-2340321-3 |
| | YES | | 0.3 | 1.93 ±0.19 | 6-2340321-2 | |
| | NO | | 0.3 | 1.93 ±0.19 | 6-2340321-4 | |
| | YES | | 0 | 2.11 ±0.21 | 2340321-6 | |
| | YES | | 0 | 2.36 ±0.23 | 7-2340321-1 | |
| | NO | | 0 | 2.36 ±0.23 | 7-2340321-3 | |
| | YES | | 0 | 2.55 ±0.23, 2.6 ±0.23 | 9-2340321-1 | |
| | YES | | 0 | 2.79 ±0.23 | 3-2340321-6 | |
| | EMBOSS TAPE | | NO | 0 | 2.36 ±0.23 | 7-2340321-8 |
| | | | NO | 0.3 | 1.93 ±0.19 | 6-2340321-9 |
| | YES | | 0.3 | 1.93 ±0.19 | 6-2340321-7 | |

AS SHOWN : -1, -3, -6, 1--2, 1--4, 1--6, 2--1, 2--3, 3--6, 4--1, 4--3, 4--6, 5--1, 5--3, 6--2, 6--4, 6--7, 6--9, 7--1, 7--3, 7--8, 9--1



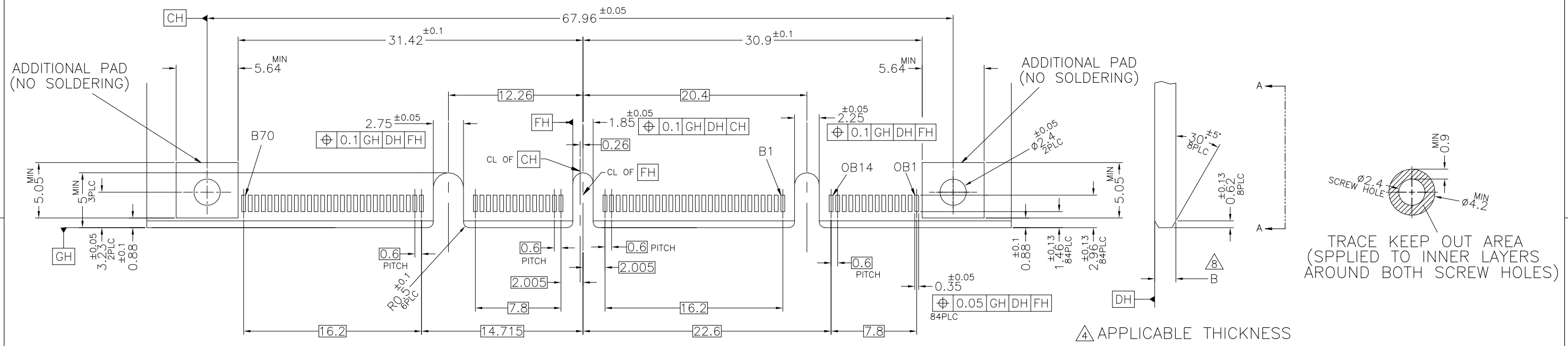
| QTY | NAME | ITEM No. |
|-----|-------------------|----------|
| 2 | M2 SCREW | |
| 2 | M2 NUT PLATE | ⑤ |
| 4 | COVER HOUSING 28P | ④ |
| 4 | COVER HOUSING 14P | ③ |
| 1 | HOUSING | ② |
| 168 | CONTACT | ① |

THIS DRAWING IS A CONTROLLED DOCUMENT.

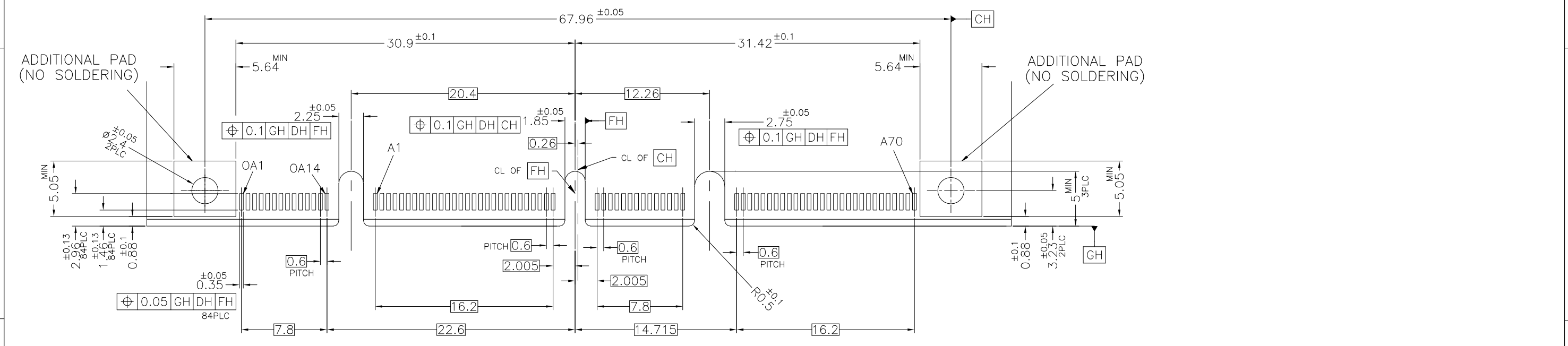
| | |
|----------------|---|
| DIMENSIONS: mm | TOLERANCES UNLESS OTHERWISE SPECIFIED: ±0.3 |
| | 0-PLG ± 1-PLG ± 2-PLG ± 3-PLG ± 4-PLG ± ANGLES ± FINISH |

| | | | | |
|----------------------------|----------------------|-----------------|-----------------------|---------------|
| DWN M.TANAKA 30JUL2018 | TE Connectivity Ltd. | | | |
| CHK J.TSUJI 30JUL2018 | | | | |
| APVD K.KOBAYASHI 30JUL2018 | | | | |
| PRODUCT SPEC 108-140197 | | | | |
| APPLICATION SPEC 114-78033 | NAME | | | |
| WEIGHT 0 | SIZE A2 | CAGE CODE 00779 | DRAWING NO. C=2340321 | RESTRICTED TO |
| CUSTOMER DRAWING | SCALE 4:1 | SHEET 1 of 6 | REV G | |

| REVISIONS | | | | | |
|-----------|-----|-------------|------|-----|------|
| P | LTR | DESCRIPTION | DATE | DWN | APVD |
| - | - | SEE SHEET 1 | - | - | - |



REFERENCE HOST BOARD LAYOUT



VIEW A-A

HOST BOARD LAYOUT

| | | | | | |
|---|--|------------------|---|-----------|------------|
| THIS DRAWING IS A CONTROLLED DOCUMENT. | | DWN | TE Connectivity Ltd. | | |
| DIMENSIONS: mm | | CHK | | | |
| TOLERANCES UNLESS OTHERWISE SPECIFIED: | | APVD | NAME | | |
| 0-PLC ±0.3 1-PLC ±0.2 2-PLC ±0.15 3-PLC ±0.1 4-PLC ±0.05 ANGLES ±0.5 FINISH | | PRODUCT SPEC | 168 POSITION SLIVER 2.0 STRADDLE MOUNT | | |
| MATERIAL | | APPLICATION SPEC | SIZE | CAGE CODE | DRAWING NO |
| | | WEIGHT | A2 | 00779 | C=2340321 |
| | | CUSTOMER DRAWING | SCALE | SHEET | REV |
| | | | 4:1 | 2 of 6 | G |

| REVISIONS | | | | |
|-----------|-----|-------------|------|------|
| P | LTR | DESCRIPTION | DATE | APVD |
| - | - | SEE SHEET 1 | - | - |




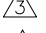



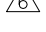


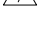





CONNECTOR CONTACT IDENTIFICATION


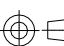
| CONTACT NUMBER | SIDE A | SIDE B |
|----------------|--------|--------|
| 1 | GROUND | GROUND |
| 2 | SIGNAL | SIGNAL |
| 3 | SIGNAL | SIGNAL |
| 4 | GROUND | GROUND |
| 5 | SIGNAL | SIGNAL |
| 6 | SIGNAL | SIGNAL |
| 7 | GROUND | GROUND |
| 8 | SIGNAL | SIGNAL |
| 9 | SIGNAL | SIGNAL |
| 10 | GROUND | GROUND |
| 11 | SIGNAL | SIGNAL |
| 12 | SIGNAL | SIGNAL |
| 13 | GROUND | GROUND |
| 14 | SIGNAL | SIGNAL |
| 15 | SIGNAL | SIGNAL |
| 16 | GROUND | GROUND |
| 17 | SIGNAL | SIGNAL |
| 18 | SIGNAL | SIGNAL |
| 19 | GROUND | GROUND |
| 20 | SIGNAL | SIGNAL |
| 21 | SIGNAL | SIGNAL |
| 22 | GROUND | GROUND |
| 23 | SIGNAL | SIGNAL |
| 24 | SIGNAL | SIGNAL |
| 25 | GROUND | GROUND |
| 26 | SIGNAL | SIGNAL |
| 27 | SIGNAL | SIGNAL |
| 28 | GROUND | GROUND |
| 29 | GROUND | GROUND |
| 30 | SIGNAL | SIGNAL |
| 31 | SIGNAL | SIGNAL |
| 32 | GROUND | GROUND |
| 33 | SIGNAL | SIGNAL |
| 34 | SIGNAL | SIGNAL |
| 35 | GROUND | GROUND |

| CONTACT NUMBER | SIDE A | SIDE B |
|----------------|--------|--------|
| 36 | SIGNAL | SIGNAL |
| 37 | SIGNAL | SIGNAL |
| 38 | GROUND | GROUND |
| 39 | SIGNAL | SIGNAL |
| 40 | SIGNAL | SIGNAL |
| 41 | GROUND | GROUND |
| 42 | GROUND | GROUND |
| 43 | GROUND | GROUND |
| 44 | SIGNAL | SIGNAL |
| 45 | SIGNAL | SIGNAL |
| 46 | GROUND | GROUND |
| 47 | SIGNAL | SIGNAL |
| 48 | SIGNAL | SIGNAL |
| 49 | GROUND | GROUND |
| 50 | SIGNAL | SIGNAL |
| 51 | SIGNAL | SIGNAL |
| 52 | GROUND | GROUND |
| 53 | SIGNAL | SIGNAL |
| 54 | SIGNAL | SIGNAL |
| 55 | GROUND | GROUND |
| 56 | SIGNAL | SIGNAL |
| 57 | SIGNAL | SIGNAL |
| 58 | GROUND | GROUND |
| 59 | SIGNAL | SIGNAL |
| 60 | SIGNAL | SIGNAL |
| 61 | GROUND | GROUND |
| 62 | SIGNAL | SIGNAL |
| 63 | SIGNAL | SIGNAL |
| 64 | GROUND | GROUND |
| 65 | SIGNAL | SIGNAL |
| 66 | SIGNAL | SIGNAL |
| 67 | GROUND | GROUND |
| 68 | SIGNAL | SIGNAL |
| 69 | SIGNAL | SIGNAL |
| 70 | GROUND | GROUND |

OCP CONTROLLED AREA

| CONTACT NUMBER | SIDE A | SIDE B |
|----------------|--------|--------|
| O 1 | GROUND | GROUND |
| O 2 | SIGNAL | SIGNAL |
| O 3 | SIGNAL | SIGNAL |
| O 4 | GROUND | GROUND |
| O 5 | SIGNAL | SIGNAL |
| O 6 | SIGNAL | SIGNAL |
| O 7 | GROUND | GROUND |
| O 8 | SIGNAL | SIGNAL |
| O 9 | SIGNAL | SIGNAL |
| O 10 | GROUND | GROUND |
| O 11 | SIGNAL | SIGNAL |
| O 12 | SIGNAL | SIGNAL |
| O 13 | GROUND | GROUND |
| O 14 | GROUND | GROUND |

- NOTE**
-  HOUSING AND COVER: LCP, UL94-V0, BLACK.
 -  CONTACTS: COPPER ALLOY.
 -  GOLD PLATE ON CONTACT AREA.
 -  TIN PLATE ON SOLDER TAIL AREA.
 -  OA1~OA14 AND OB1~OB14 ARE CONTROLLED SECTION FOR OCP.
 -  APPLICABLE HOST BOARD THICKNESS
 -  OFFSET AMOUNT BETWEEN AIC BOARD AND HOST BOARD CENTER LINE.
 -  SEE MSA SPECIFICATION FOR ADDITIONAL PADDLE CARD LAYOUTS COMPATIBLE WITH THIS RECEPTACLE AND FOR OPTIONAL SPLIT CONTACT PAD LAYOUTS FOR THE PADDLE CARD. SPECIFICATION PINOUT MAY ALSO DESIGNATE PAD SEQUENCE DIFFERENT FROM ILLUSTRATION.
 -  POSITIONS DESIGNATED AS "SIGNAL" ARE RECOMMENDED LOCATIONS FOR HIGH SPEED DIFFERENTIAL PAIR SIGNALING. THESE LOCATIONS MAY ALSO BE USED FOR SUPPORTING SIDEBAND SIGNALS OR OTHER UTILITY PURPOSES. POSITIONS DESIGNATED AS "GROUND" ARE REQUIRED WHEN SUPPORTING HIGH SPEED DIFFERENTIAL SIGNALS. THESE LOCATIONS MAY ALSO BE USED FOR SIDEBAND SIGNALS OR OTHER UTILITY PUPOSES.
 -  CONTROLLED ACROSS PADS.
 -  THIS LAYOUT IS ADOPTED IN SFF-TA-1002
 -  SCREW IS ENCLOSED BY SEPARATE PACKING. SCREW SIZE: M2 SCREW LENGTH(REF): 6 HEAD SIZE(REF): $\phi 3.5$, 1.3HEIGHT
 -  DATE CODE MARKING.
 -  CONNECTOR MUST BE FIXED ON PCB BY SCREW AFTER SOLDERING.
 -  ALL CHAMFERED EDGES AND EDGE OF PADS SHALL BE FREE OF BURRS.
 -  HOUSING ID MARK

| | | | | |
|---|--|------------------|--|---------------|
| THIS DRAWING IS A CONTROLLED DOCUMENT. | | DWN |  TE Connectivity Ltd. | |
| DIMENSIONS: mm | | CHK | NAME | |
|  | | APVD | 168 POSITION SLIVER 2.0 STRADDLE MOUNT | |
| TOLERANCES UNLESS OTHERWISE SPECIFIED: | | PRODUCT SPEC | SIZE | CAGE CODE |
| 0-PLC \pm | | APPLICATION SPEC | A2 | 00779 |
| 1-PLC \pm | | WEIGHT | DRAWING NO | RESTRICTED TO |
| 2-PLC \pm | | CUSTOMER DRAWING | C=2340321 | |
| 3-PLC \pm | | SCALE | NTS | SHEET 4 of 6 |
| 4-PLC \pm | | REV | G | |
| ANGLES \pm | | | | |
| FINISH | | | | |

4

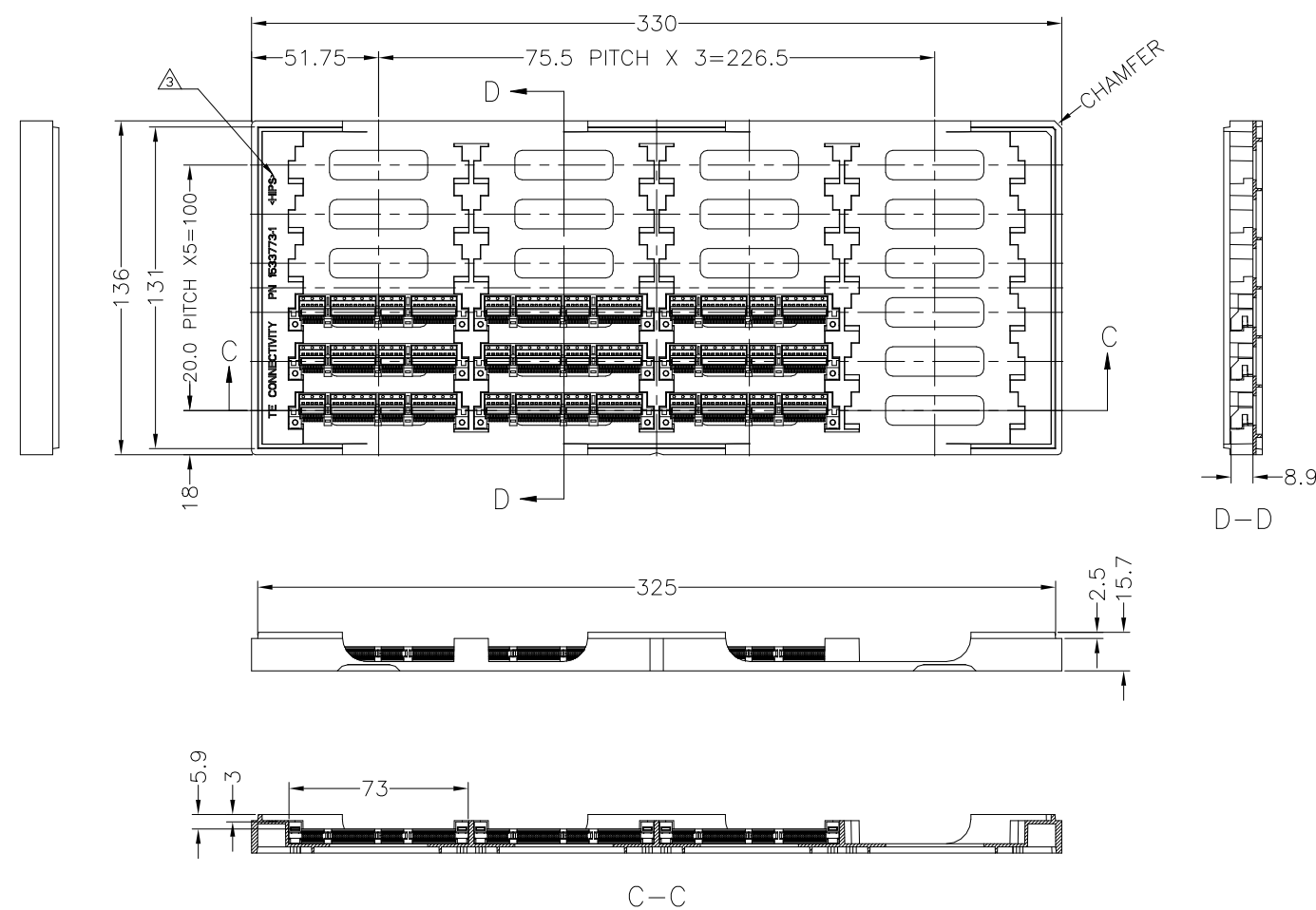
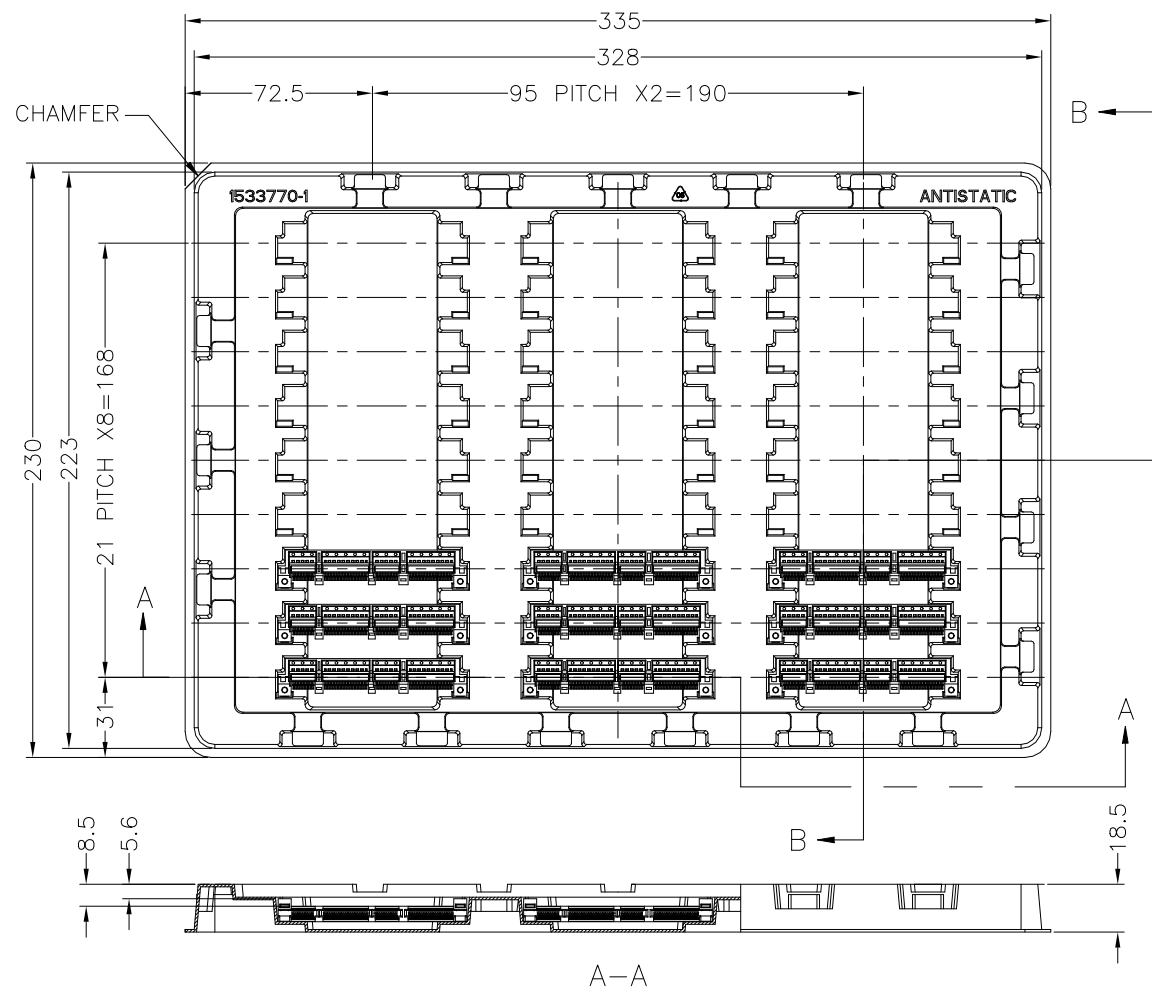
3

2

1

© - TE Connectivity. All Rights Reserved.

| REVISIONS | | | | | |
|-----------|-----|-------------|------|-----|------|
| P | LTR | DESCRIPTION | DATE | DWN | APVD |
| - | - | SEE SHEET 1 | - | - | - |



SOFT TRAY PACKAGING: -1,-3, 1--2, 1--4, 1--6, 2--1, 2--3, 4--1, 4--3, 4--6

HARD TRAY PACKAGING: -6, 3--6, 5--1, 5--3, 6--2, 6--4, 7--1, 7--3, 9--1

1. MATERIAL: HIPS, COLOR: NATURAL
2. QTY. : 9 X 3 = 27 POCKETS PER TRAY
3. TOLERANCES ON TRAY DIMENSIONS ARE REFERENCE

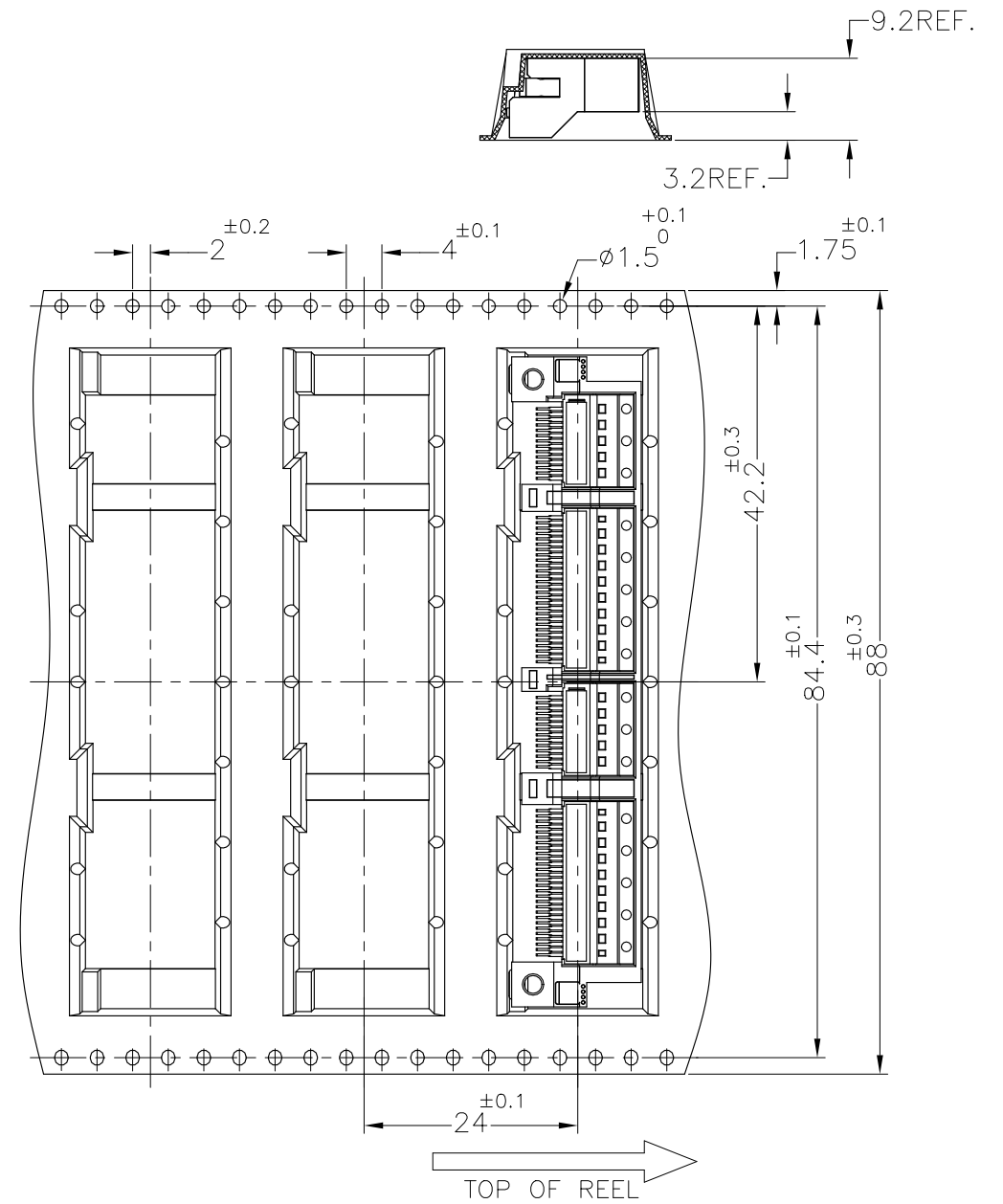
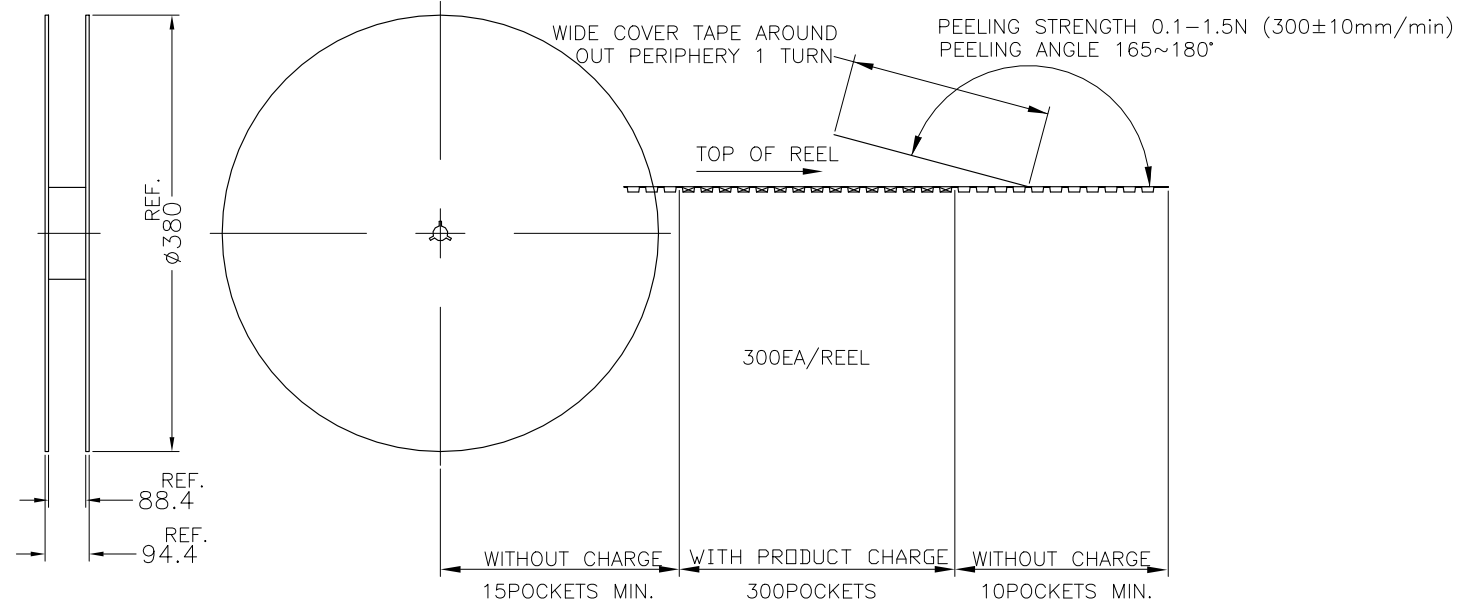
1. MATERIAL: HIPS, COLOR: BLACK
2. QTY. : 6 X 4 = 24 POCKETS PER TRAY
3. MARKING
4. TOLERANCES ON TRAY DIMENSIONS ARE REFERENCE

| | | | | | |
|---|--|------------------|---|-----------|---------------|
| THIS DRAWING IS A CONTROLLED DOCUMENT. | | DWN | TE Connectivity Ltd. | | |
| DIMENSIONS: mm | | CHK | NAME | | |
| TOLERANCES UNLESS OTHERWISE SPECIFIED: | | APVD | 168 POSITION SLIVER 2.0 STRADDLE MOUNT | | |
| <ul style="list-style-type: none"> 0-PLG ± 1-PLG ± 2-PLG ± 3-PLG ± 4-PLG ± ANGLES ± FINISH | | PRODUCT SPEC | SIZE | CAGE CODE | DRAWING NO |
| MATERIAL | | APPLICATION SPEC | A2 | 00779 | C=2340321 |
| | | WEIGHT | CUSTOMER DRAWING | | RESTRICTED TO |
| | | SCALE | NTS | SHEET | 5 of 6 |
| | | REV | G | | |

2340321

A

| P | LTR | DESCRIPTION | DATE | DWN | APVD |
|---|-----|-------------|------|-----|------|
| - | - | SEE SHEET 1 | - | - | - |



EMBOSS TAPE PACKAGING : 6--7, 6--9, 7--8

| | | | | | |
|--|--|------------------|---|-----------|------------|
| THIS DRAWING IS A CONTROLLED DOCUMENT. | | DWN | TE Connectivity Ltd. | | |
| DIMENSIONS: mm | | CHK | NAME | | |
| TOLERANCES UNLESS OTHERWISE SPECIFIED: | | APVD | 168 POSITION SLIVER 2.0 STRADDLE MOUNT | | |
| 0-PLG ± | | PRODUCT SPEC | SIZE | CAGE CODE | DRAWING NO |
| 1-PLG ± | | APPLICATION SPEC | A2 | 00779 | C=2340321 |
| 2-PLG ± | | WEIGHT | RESTRICTED TO | | |
| 3-PLG ± | | CUSTOMER DRAWING | SCALE NTS SHEET 6 of 6 REV G | | |
| 4-PLG ± | | | | | |
| ANGLES ± | | | | | |
| FINISH ± | | | | | |