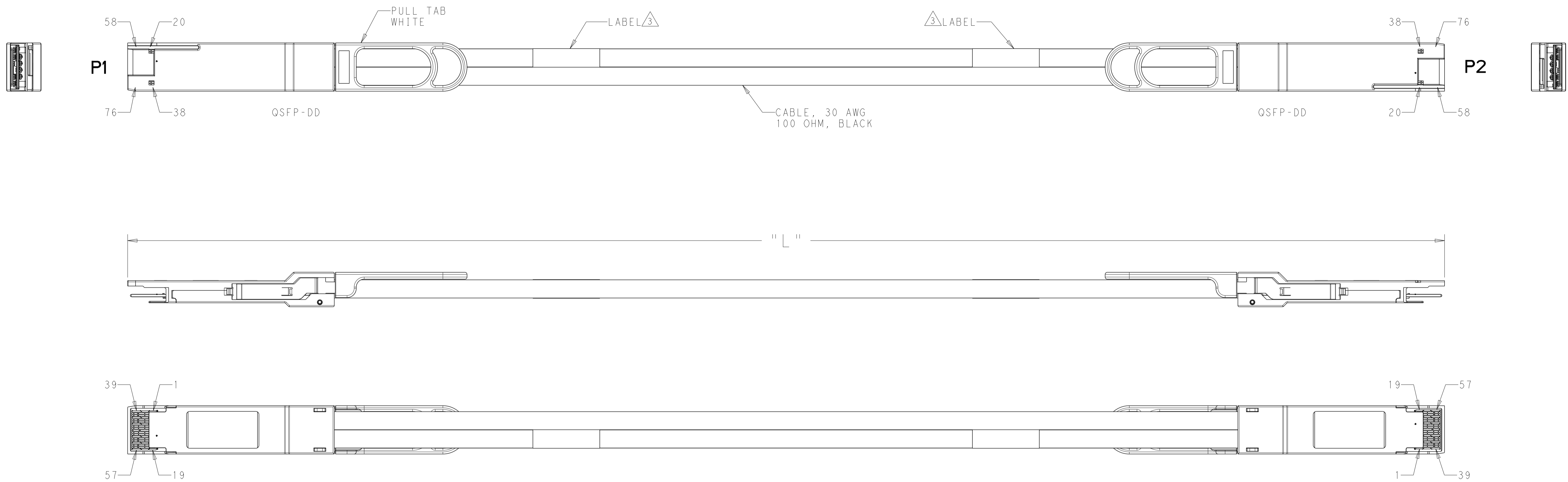
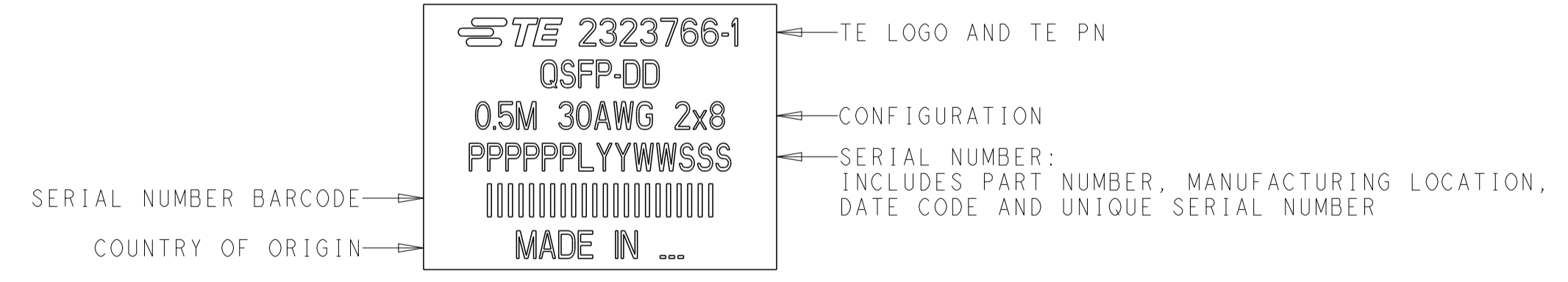


REVISIONS				
P	LTN	DESCRIPTION	DATE	APVD
C		ECO-20-013677: SM FORMAT UPDATED	25SEP2020	SS WY



1. SEE SHEET 2 FOR WIRING SCHEMATIC.
2. ALL MATERIALS, COMPONENTS AND PROCESSES SHALL COMPLY WITH TEC-138-702. (CONTAINS NO BANNED OR RESTRICTED SUBSTANCES).

△ LABEL INFORMATION: -1 SHOWN.



4. NO REACH SvHC SHALL BE CONTAINED ABOVE THE THRESHOLD AS DEFINED IN REACH SvHC COMPLIANCE DEFINITION IN ANNEX A OF TEC-138-702.
5. CABLE ASSEMBLY 100% TESTED FOR OPENS, SHORTS AND PROPER EEPROM PROGRAM.

1.75M 30AWG 2x8	1750±25	2323766-7
1.25M 30AWG 2x8	1250±20	2323766-6
0.75M 30AWG 2x8	750±20	2323766-5
2.0M 30AWG 2x8	2000±30	2323766-4
1.5M 30AWG 2x8	1500±25	2323766-3
1.0M 30AWG 2x8	1000±20	2323766-2
0.5M 30AWG 2x8	500±20	2323766-1
CONFIGURATION	"L"	PART NO

THIS DRAWING IS A CONTROLLED DOCUMENT.		DWN T. SMITH 16OCT2017 CHK K. STAUFFER 16OCT2017 APVD -	
DIMENSIONS: mm 	TOLERANCES UNLESS OTHERWISE SPECIFIED: 0 PLC ± 1 PLC ± 2 PLC ± 3 PLC ± 4 PLC ± ANGLES ± FINISH ±	NAME CABLE ASSY, 30 AWG QSFP-DD PRODUCT SPEC - APPLICATION SPEC - SIZE CAGE CODE DRAWING NO A100779C=2323766	
MATERIAL		WEIGHT - CUSTOMER DRAWING	RESTRICTED TO SCALE 5:4 SHEET 1 OF 2 REV C

REVISIONS				
P	LTN	DESCRIPTION	DATE	APVD
-		SEE SHEET 1	-	-

P1			P2	
GND	1		20	GND
TX2-	2	↔	21	RX2-
TX2+	3	↔	22	RX2+
GND	4		23	GND
TX4-	5	↔	24	RX4-
TX4+	6	↔	25	RX4+
GND	7		26	GND
ModseIL	8		27	ModPrsL
ResetL	9		28	intL
VccRx	10		29	VccTx
SCL	11		30	Vcc1
SDA	12		31	InitMode
GND	13		32	GND
RX3+	14	↔	33	TX3+
RX3-	15	↔	34	TX3-
GND	16		35	GND
RX1+	17	↔	36	TX1+
RX1-	18	↔	37	TX1-
GND	19		38	GND
GND	20		1	GND
RX2-	21	↔	2	TX2-
RX2+	22	↔	3	TX2+
GND	23		4	GND
RX4-	24	↔	5	TX4-
RX4+	25	↔	6	TX4+
GND	26		7	GND
ModPrsL	27		8	ModseIL
intL	28		9	ResetL
VccTx	29		10	VccRx
Vcc1	30		11	SCL
InitMode	31		12	SDA
GND	32		13	GND
TX3+	33	↔	14	RX3+
TX3-	34	↔	15	RX3-
GND	35		16	GND
TX1+	36	↔	17	RX1+
TX1-	37	↔	18	RX1-
GND	38		19	GND

P1			P2	
GND	39		58	GND
TX6-	40	↔	59	RX6-
TX6+	41	↔	60	RX6+
GND	42		61	GND
TX8-	43	↔	62	RX8-
TX8+	44	↔	63	RX8+
GND	45		64	GND
Reserved	46		65	NC
VS1	47		66	Reserved
VccRx1	48		67	VccTx1
VS2	49		68	Vcc2
VS3	50		69	Reserved
GND	51		70	GND
RX7+	52	↔	71	TX7+
RX7-	53	↔	72	TX7-
GND	54		73	GND
RX5+	55	↔	74	TX5+
RX5-	56	↔	75	TX5-
GND	57		76	GND
GND	58		39	GND
RX6-	59	↔	40	TX6-
RX6+	60	↔	41	TX6+
GND	61		42	GND
RX8-	62	↔	43	TX8-
RX8+	63	↔	44	TX8+
GND	64		45	GND
NC	65		46	Reserved
Reserved	66		47	VS1
VccTx1	67		48	VccRx1
Vcc2	68		49	VS2
Reserved	69		50	VS3
GND	70		51	GND
TX7+	71	↔	52	RX7+
TX7-	72	↔	53	RX7-
GND	73		54	GND
TX5+	74	↔	55	RX5+
TX5-	75	↔	56	RX5-
GND	76		57	GND

WIRE PATTERN

THIS DRAWING IS A CONTROLLED DOCUMENT.		DWN T. SMITH 16OCT2017 CHK K. STAUFFER 16OCT2017 APVD -	
DIMENSIONS: mm 	TOLERANCES UNLESS OTHERWISE SPECIFIED: 0 PLC ± 1 PLC ± 2 PLC ± 3 PLC ± 4 PLC ± ANGLES ± FINISH ±	NAME CABLE ASSY, 30 AWG QSPF-DD PRODUCT SPEC - APPLICATION SPEC - SIZE CAGE CODE DRAWING NO A 00779 C=2323766 WEIGHT - CUSTOMER DRAWING	RESTRICTED TO SCALE 5:4 SHEET 2 OF 2 REV C