

AS SHOWN : 2334884-1

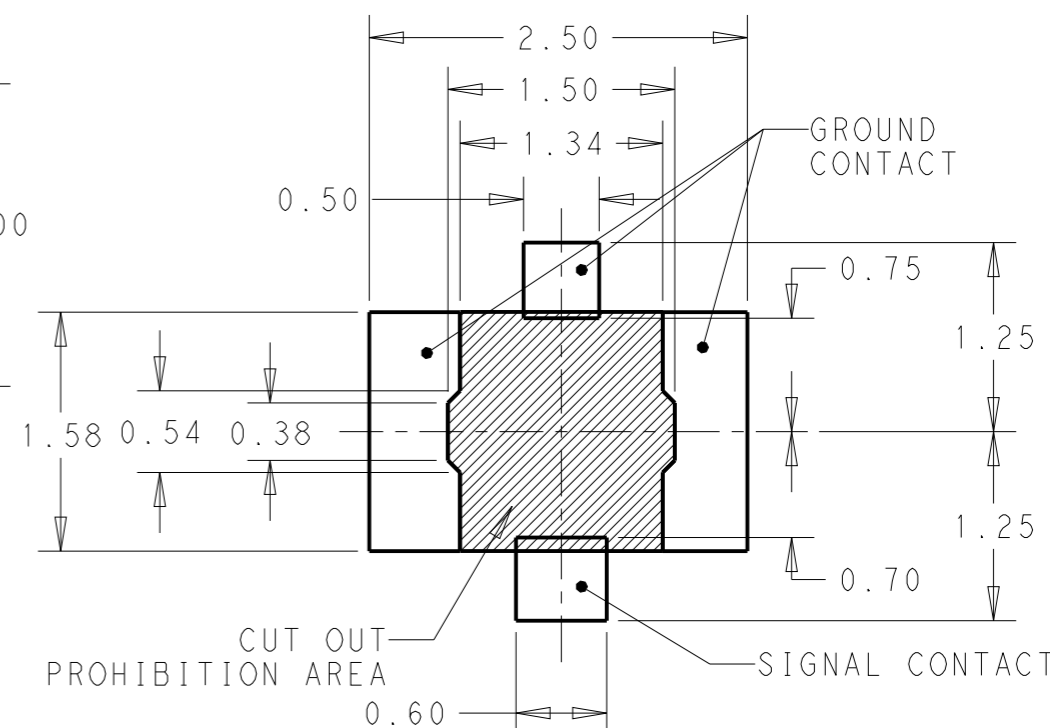
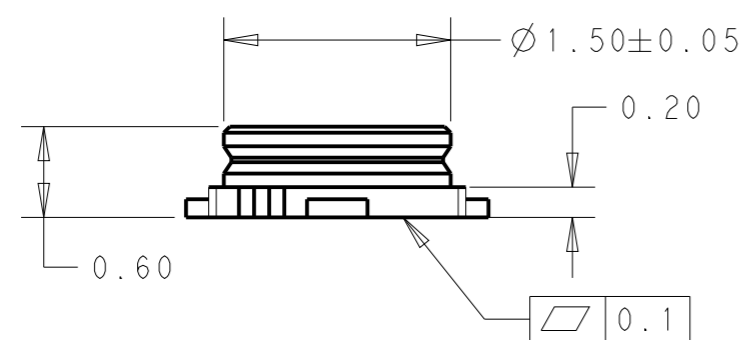
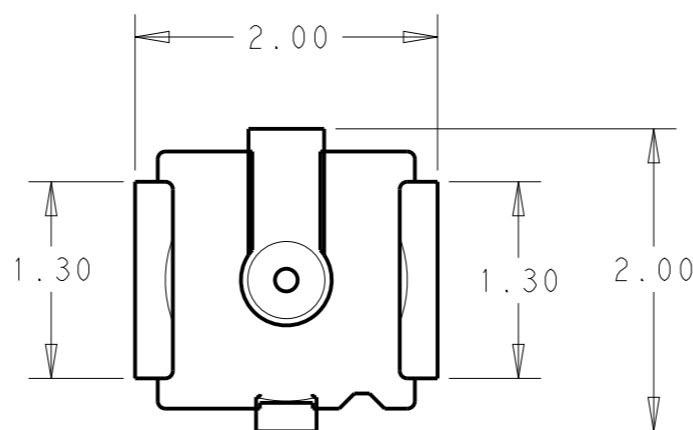
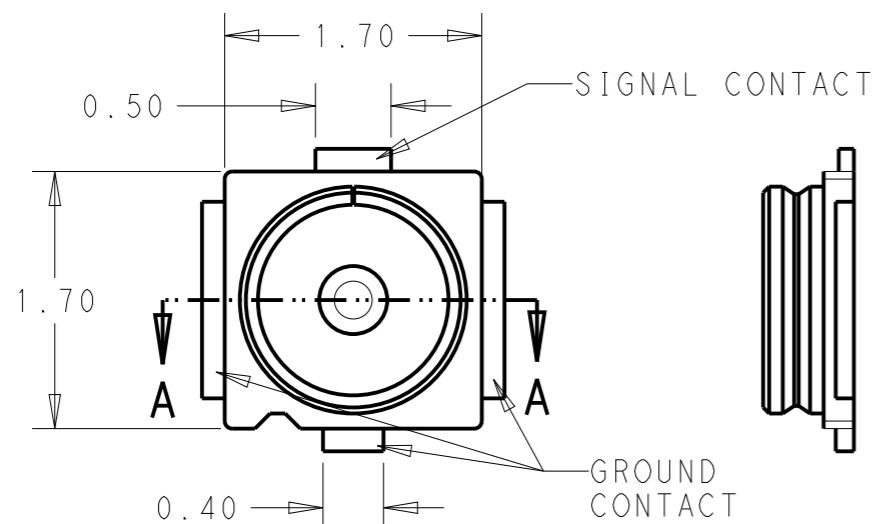
REVISIONS					
P	LTR	DESCRIPTION	DATE	DWN	APVD
	A4	MODIFY TITLE	28NOV2018	H.T	H.T
	A8	ECR-21-104161 FREQUENCY	28MAY2021	JZ	WKH

- TECHNICAL PARAMETERS  
 FREQUENCY RANGE : 0~6GHz  
 NOMINAL CHARACTERISTICS IMPEDANCE : 50Ω  
 INSULATION RESISTANCE : 500MΩMIN  
 INITIAL CONTACT RESISTANCE  
 20mΩMAX(INNER CONTACT) / 20mΩMAX(OUT CONTACT)  
 WITH STANDING VOLTAGE : 200V AC 1min  
 OPERATING TEMPERATURE : -40°C ~ +85°C
- ELECTRICAL PERFORMANCE  
 VSWR : 1.4MAX (RANGE : 0~6GHz)



Ø0.45±0.05

A - A



STANDARD PCB LAYOUT SCALE : 20:1

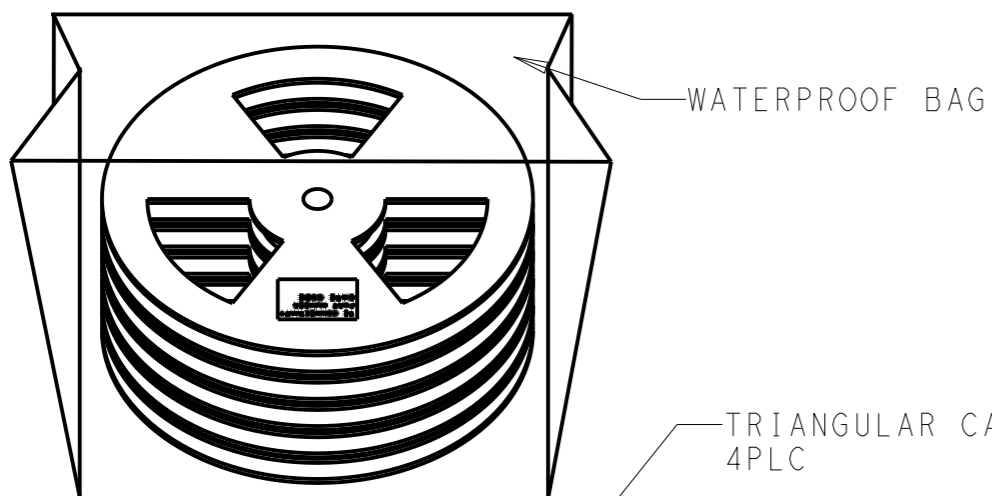
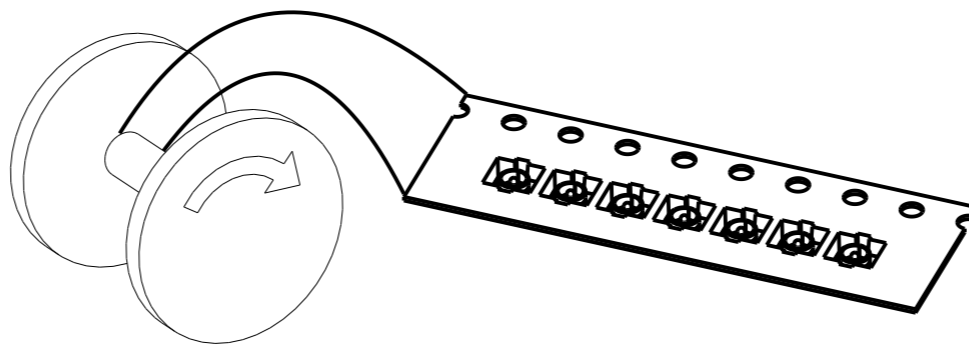
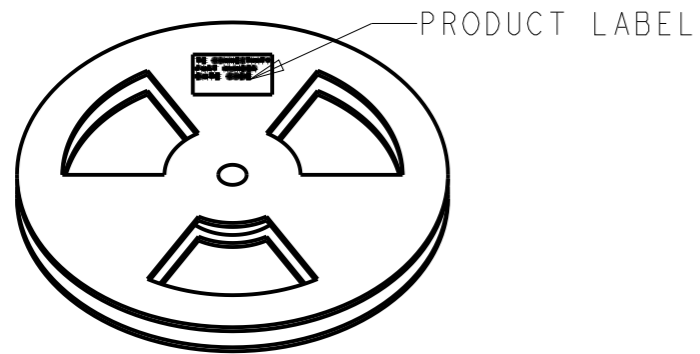
1	CENTER CONTACT	3
1	DIELECTRIC	2
1	SHELL	1
QTY	DESCRIPTION	ITEM

THIS DRAWING IS A CONTROLLED DOCUMENT.		DWN H. TAMURA	17MAY2018		
DIMENSIONS: mm		CHK -	APVD -		
TOLERANCES UNLESS OTHERWISE SPECIFIED: ±0.15		PRODUCT SPEC -		NAME UMCC MICRO-COAX RECEPTACLE GEN 4 COMPATIBLE WITH MHF4	
0 PLC ± 1 PLC ± 2 PLC ± 3 PLC ± 4 PLC ± ANGLES ±3°		APPLICATION SPEC -		SIZE A3	CAGE CODE 00779
MATERIAL TBD	FINISH -	WEIGHT -		DRAWING NO C=2334884	RESTRICTED TO -
CUSTOMER DRAWING				SCALE 20:1	SHEET 1 OF 2
				REV A8	

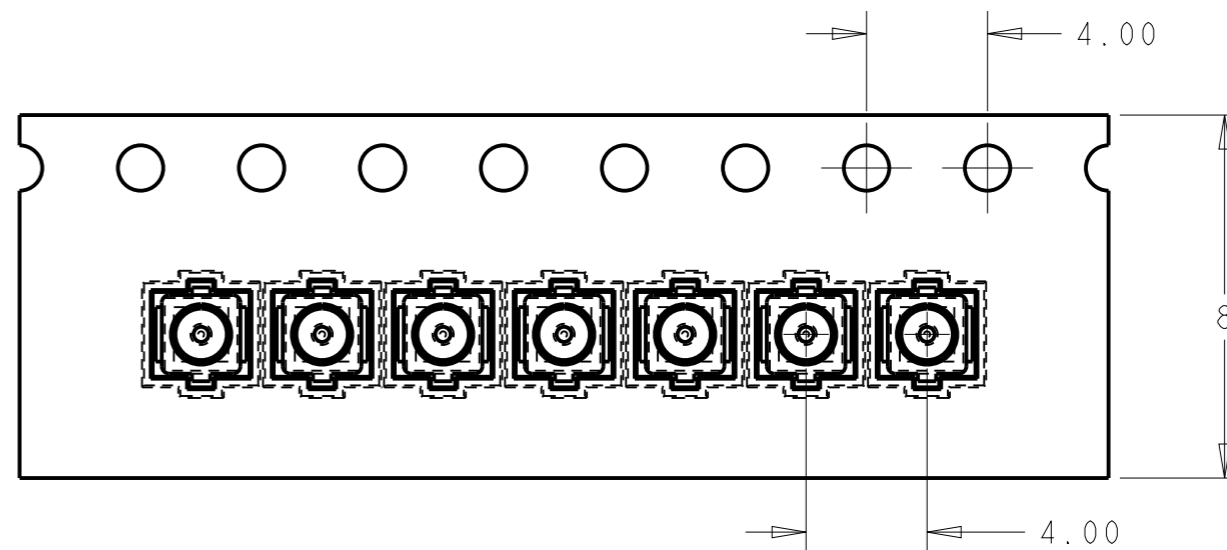
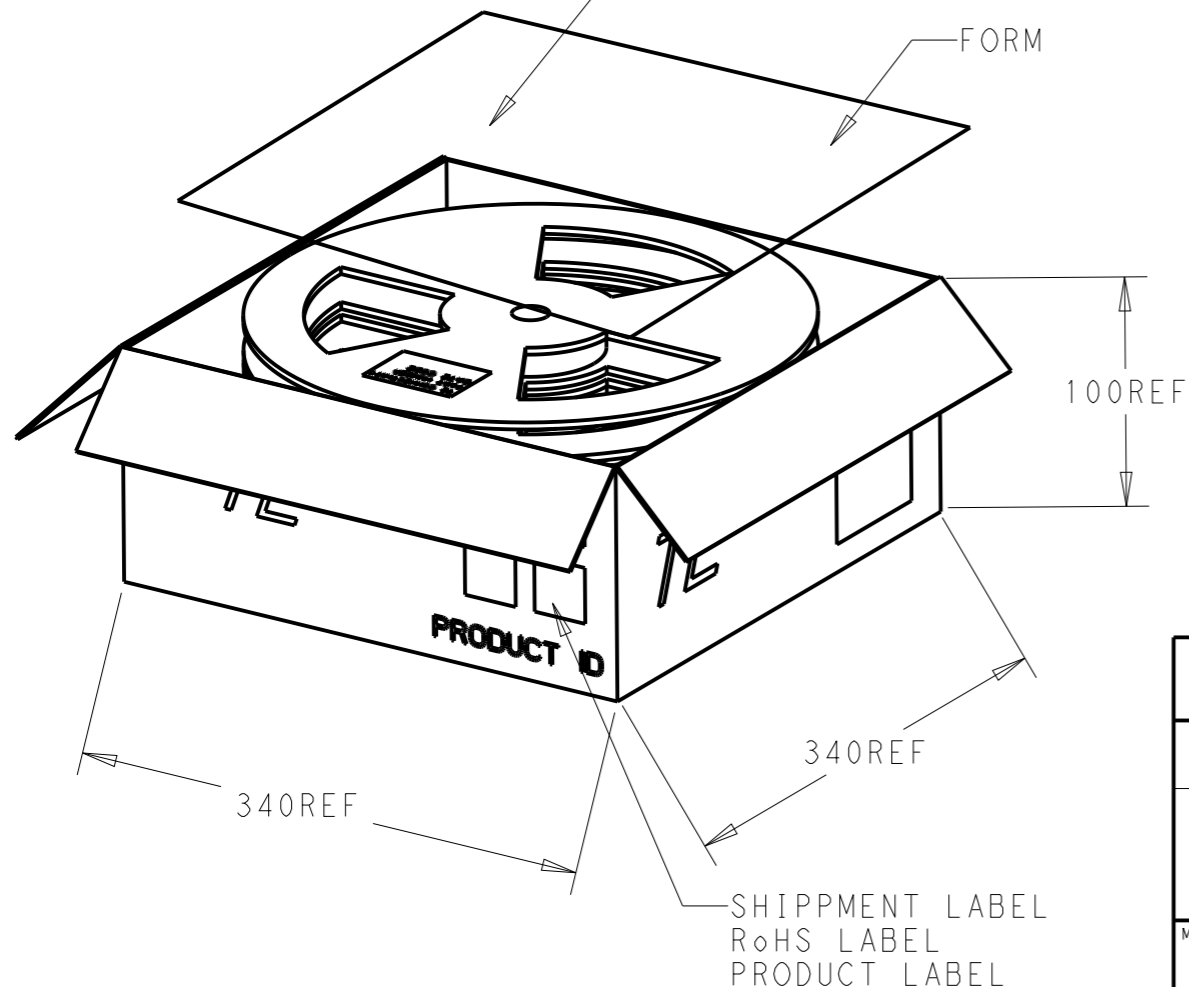
REVISIONS

P	LTR	DESCRIPTION	DATE	DWN	APVD
-	-	SEE SHEET 1	-	-	-

NOTE  
 10000 PCS / REEL  
 6 REEL / BOX  
 60000 PCS / BOX  
 REEL DIM : 330mm  
 MATERIAL : PS 0.3mm



TRIANGULAR CARDBOARD  
4PLC



➔ USER DIRECTION OF UNREELING

THIS DRAWING IS A CONTROLLED DOCUMENT.		DWN H. TAMURA	17MAY2018	TE Connectivity	
DIMENSIONS: mm		CHK -	APVD -		
		TOLERANCES UNLESS OTHERWISE SPECIFIED:		PRODUCT SPEC -	
MATERIAL TBD		FINISH -		APPLICATION SPEC -	
		WEIGHT -		SIZE A3	CAGE CODE 00779
		CUSTOMER DRAWING		DRAWING NO C-2334884	RESTRICTED TO -
		SCALE NTS		SHEET 2	OF 2
				REV A8	