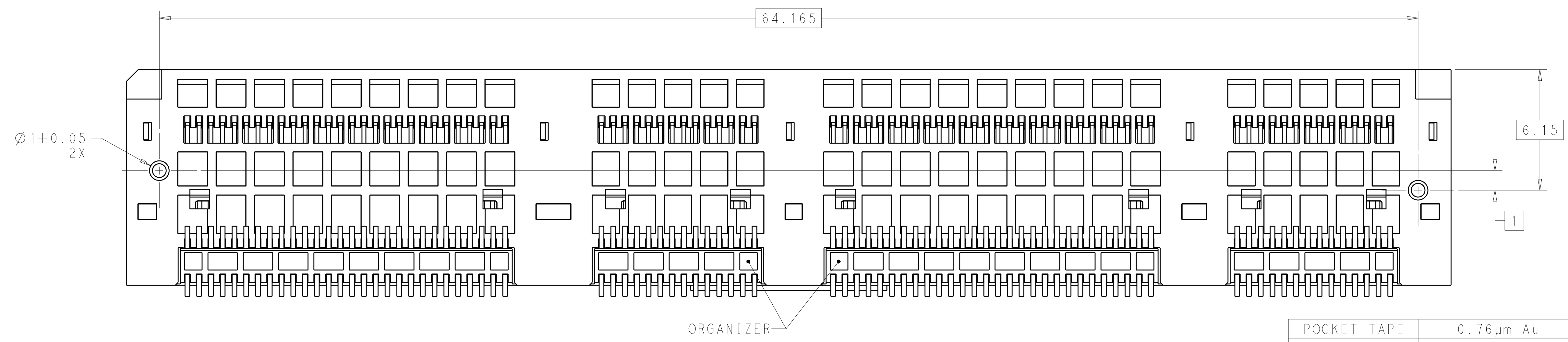
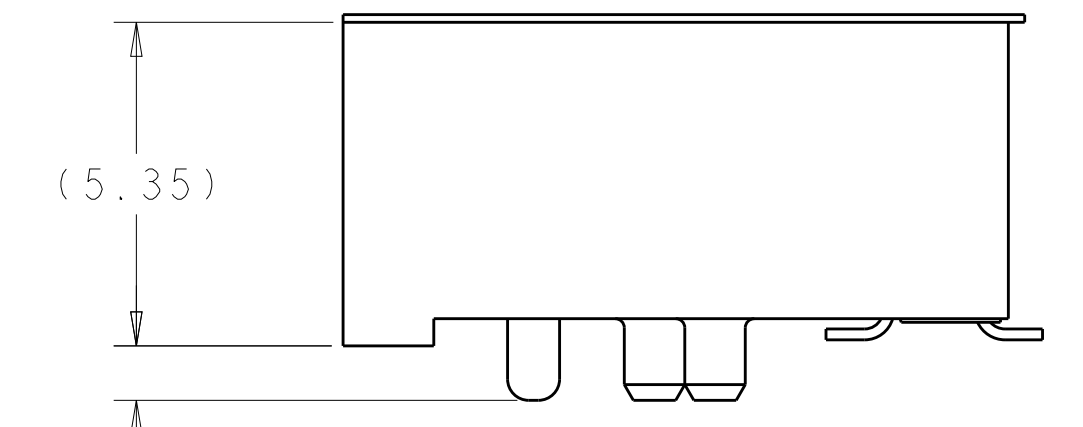
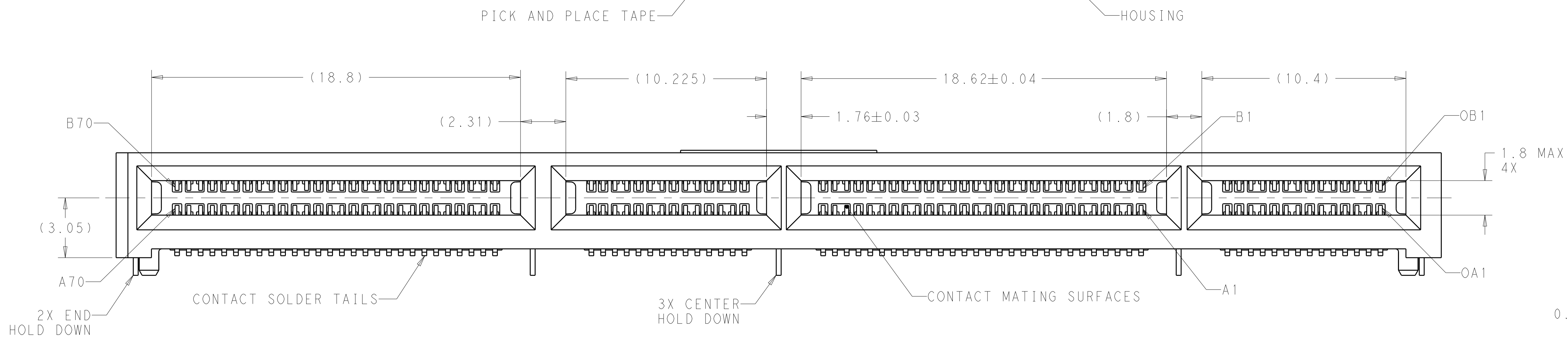
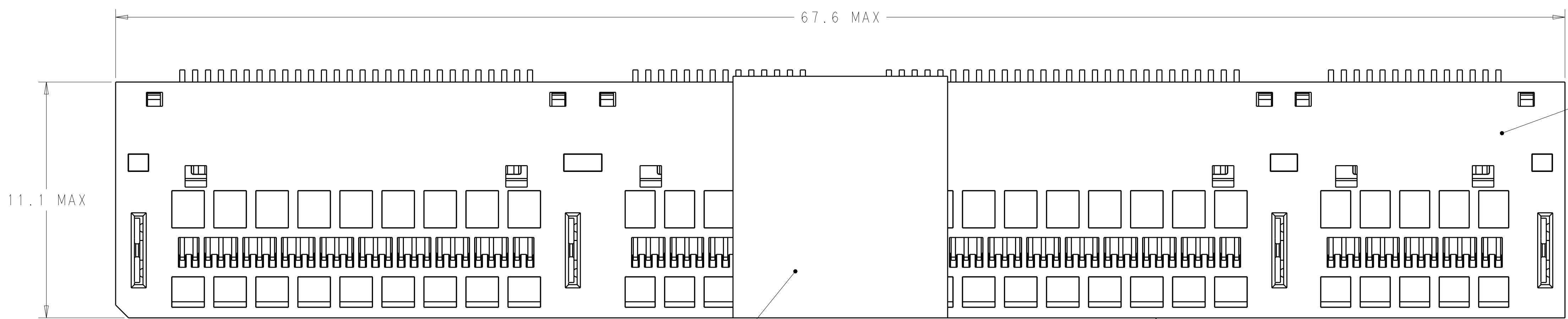


REVISIONS				
P.	LTM	DESCRIPTION	DATE	APVD
A		REVISED PER ECO-19-011916	06AUG2019	AP JW



- 1 HOUSING, ORGANIZER, CONTACT OVERMOLDS - LCP, BLACK, UL94V-0 RATED. CONTACTS AND HOLD DOWNS - COPPER ALLOY. PICK AND PLACE TAPE - POLYIMIDE FILM.
- 2 CONTACTS - GOLD PLATE ON MATING SURFACES, TIN PLATE ON SOLDER TAILS. HOLD DOWNS - TIN PLATE.
- 3 DATUMS AND BASIC DIMENSIONS ESTABLISHED BY CUSTOMER.
- 4. DESIGNED FOR A 1.5 MIN THICK HOST PC BOARD.
- 5 SEE MSA SPECIFICATION FOR ADDITIONAL PADDLE CARD LAYOUTS COMPATIBLE WITH THIS RECEPTACLE AND FOR OPTIONAL SPLIT CONTACT PAD LAYOUTS FOR THE PADDLE CARD. SPECIFICATION PINOUT MAY ALSO DESIGNATE PAD SEQUENCE DIFFERENT FROM ILLUSTRATION.

- 6 POSITIONS DESIGNATED AS "SIGNAL" ARE REQUIRED LOCATIONS FOR HIGH SPEED DIFFERENTIAL PAIR SIGNALING. THESE LOCATIONS MAY ALSO BE USED FOR SUPPORTING SIDEBAND SIGNALS OR OTHER UTILITY PURPOSES. POSITIONS DESIGNATED AS "GROUND" ARE REQUIRED WHEN SUPPORTING HIGH SPEED DIFFERENTIAL SIGNALS. THESE LOCATIONS MAY ALSO BE USED FOR SIDEBAND SIGNALS OR OTHER UTILITY PURPOSES.
- 7 COMPONENT AND TRACE KEEP OUT AREA. EACH EDGE 0.15 MIN FROM EDGE OF HOLE.
- 8 DATE CODE MARKED IN APPROXIMATE AREA SHOWN.
- 9 HARD TRAY PACKAGED FOR PICK AND PLACE SURFACE MOUNT PROCESSING, SEE FIGURE 1.
- 10 TAPE AND REEL PACKAGED FOR PICK AND PLACE SURFACE MOUNT PROCESSING, SEE FIGURE 2. POCKET TAPE WIDTH = 88.

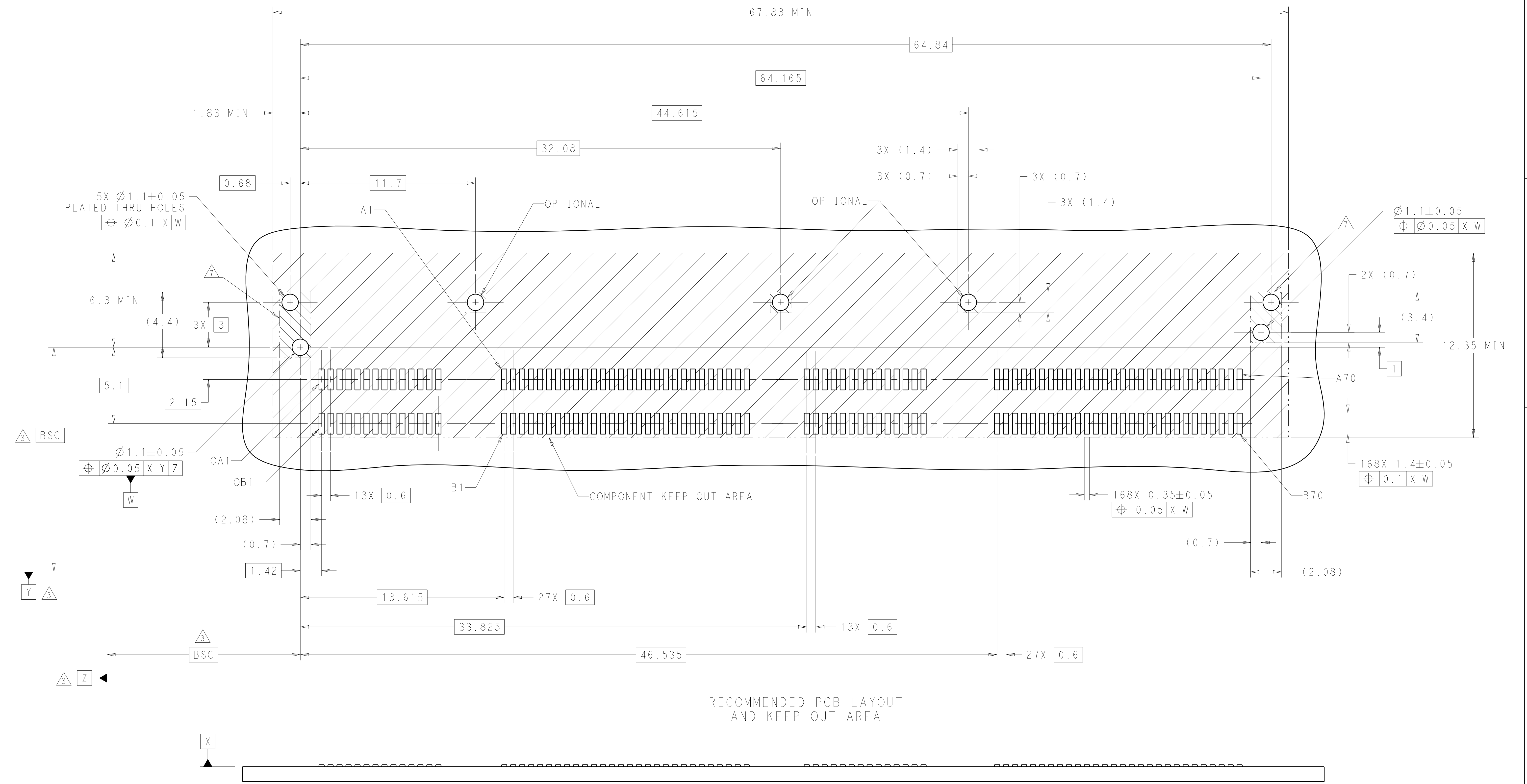
POCKET TAPE	0.76µm Au			200	2336568-9
HARD TRAY	0.38µm Au	NO	ALL	100	2336568-8
HARD TRAY	FLASH Au/Pd Ni			50	2336568-7
HARD TRAY	0.76µm Au			200	2336568-6
HARD TRAY	0.38µm Au	YES	ENDS	100	2336568-5
HARD TRAY	FLASH Au/Pd Ni			50	2336568-4
HARD TRAY	0.76µm Au			200	2336568-3
HARD TRAY	0.38µm Au	YES	ALL	100	2336568-2
HARD TRAY	FLASH Au/Pd Ni			50	2336568-1
PACKAGING	PLATING	PICK AND PLACE TAPE	HOLD DOWNS	MATING CYCLES	PART NUMBER

THIS DRAWING IS A CONTROLLED DOCUMENT. DWN: C. VALENTINE 10MAY2018. CHK: D. HARMON 10MAY2018. APVD: D. HARMON 10MAY2018. PRODUCT SPEC: 108-130021. APPLICATION SPEC: 114-130008. WEIGHT: -. MATERIAL: FINISH: .

**STE** TE Connectivity  
RECEPTACLE ASSEMBLY, RIGHT ANGLE, 168 POSITION, SILVER 2.0

SIZE: A1. CAGE CODE: -. DRAWING NO: C=2336568. SCALE: 8:1. SHEET 1 OF 4. REV A.

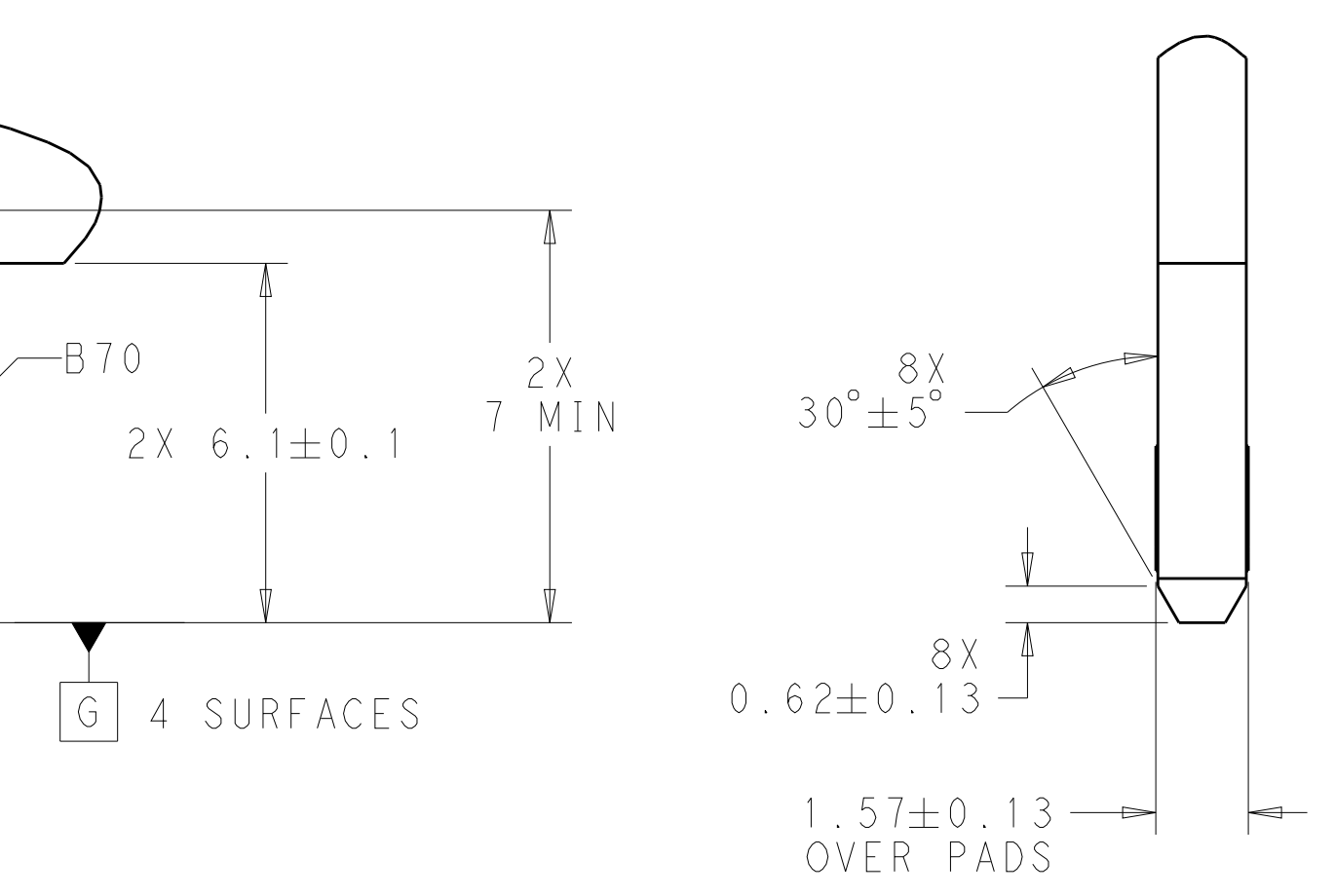
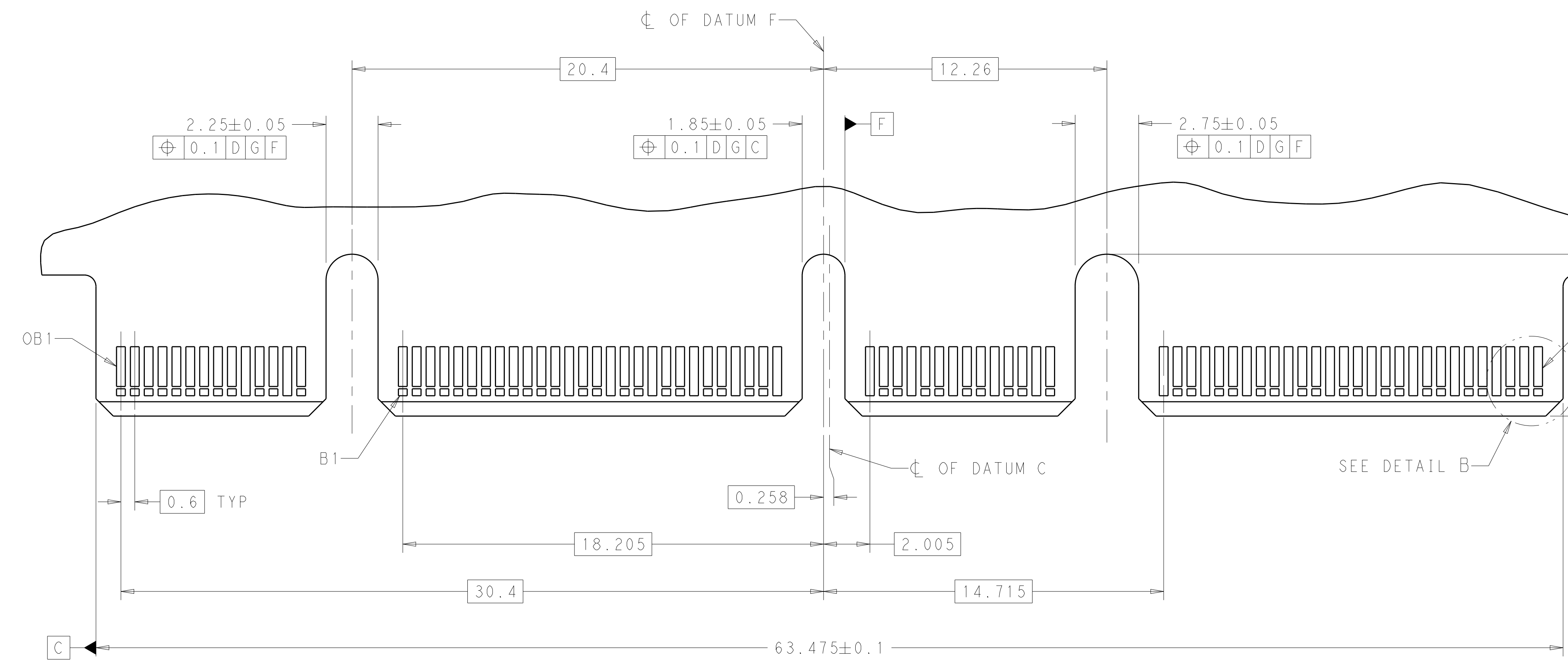
REVISIONS				
P.	LTN	DESCRIPTION	DATE	APP'D
-	-	SEE SHEET 1	-	-



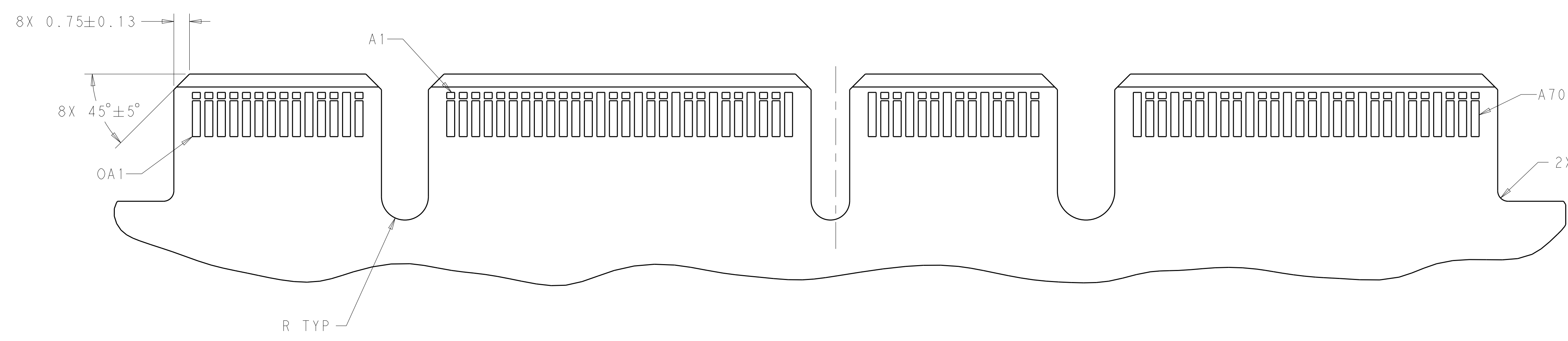
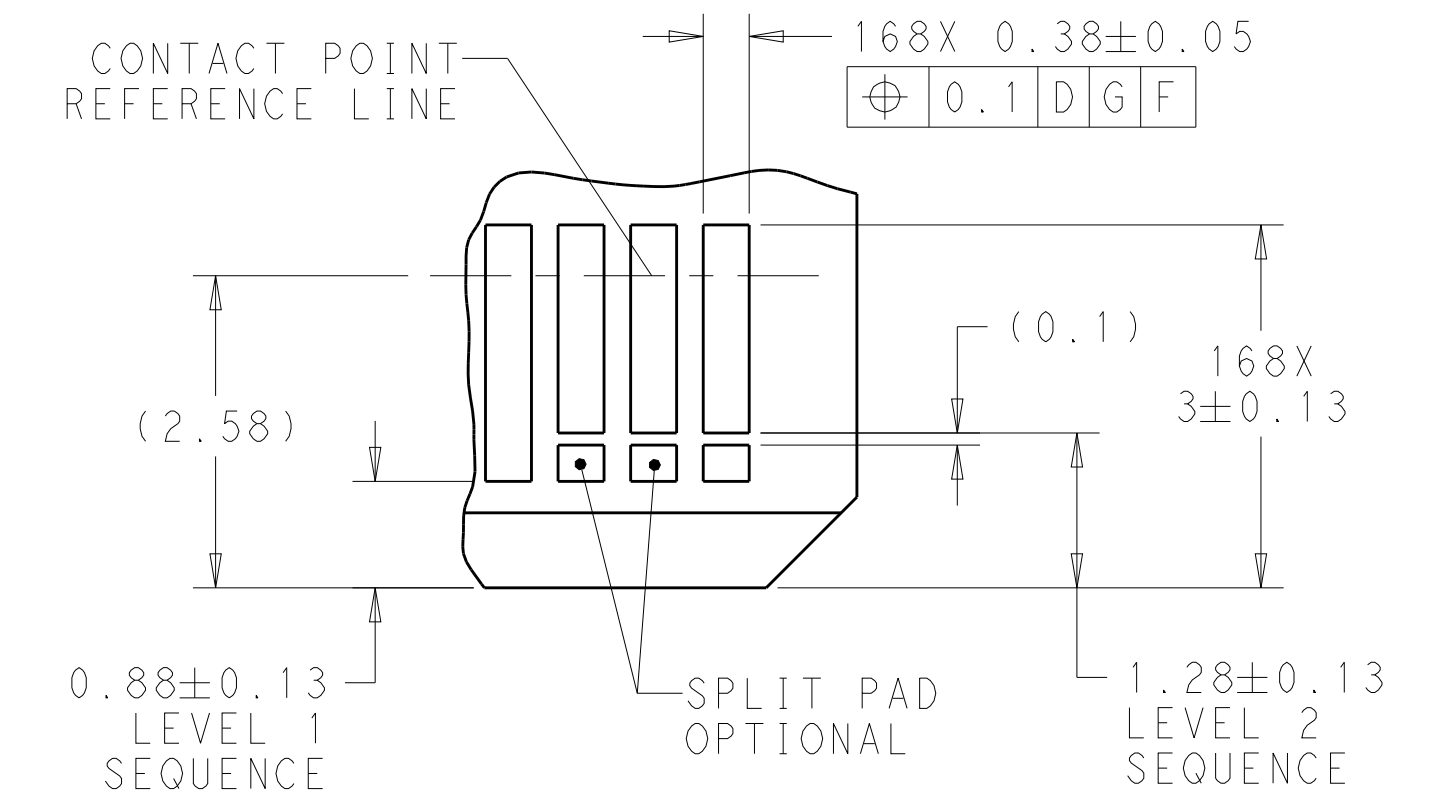
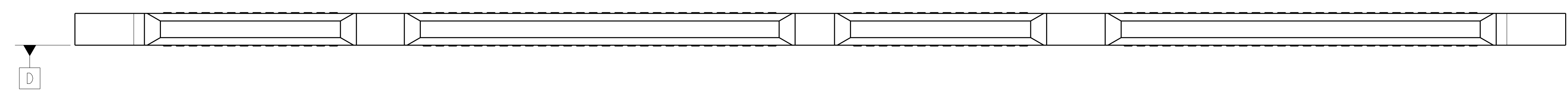
RECOMMENDED PCB LAYOUT AND KEEP OUT AREA

THIS DRAWING IS A CONTROLLED DOCUMENT.		DWN C. VALENTINE 10MAY2018 CHK D. HARMON 10MAY2018 APVD D. HARMON 10MAY2018	TE Connectivity
DIMENSIONS: mm 	TOLERANCES UNLESS OTHERWISE SPECIFIED: 0 PLC ± 1 PLC ± 2 PLC ± 3 PLC ± 4 PLC ± ANGLES ± MATERIAL FINISH	NAME RECEPTACLE ASSEMBLY, RIGHT ANGLE, 168 POSITON, SILVER 2.0 PRODUCT SPEC 108-130021 APPLICATION SPEC 114-130008 WEIGHT CUSTOMER DRAWING	
SCALE 10:1		SHEET 2 OF 4	REV A

REVISIONS				
P.	LTN.	DESCRIPTION	DATE	APP'D.
-	-	SEE SHEET 1	-	-



RECOMMENDED PCB OUTLINE DIMENSIONS  
 TOLERANCE VALUES ARE CRITICAL. PLEASE BE SURE TO DESIGNATE  
 TOLERANCE TO PCB SUPPLIER TO ENSURE OPTIMIZED FUNCTIONALITY.



THIS DRAWING IS A CONTROLLED DOCUMENT.		DWN: C. VALENTINE 10MAY2018 CHK: D. HARMON 10MAY2018 APVD: D. HARMON 10MAY2018	TE Connectivity
DIMENSIONS: mm	TOLERANCES UNLESS OTHERWISE SPECIFIED: 0 PLC ± 1 PLC ± 2 PLC ± 3 PLC ± 4 PLC ± ANGLES ± MATERIAL FINISH	NAME: RECEPTACLE ASSEMBLY, RIGHT ANGLE, 168 POSITON, SILVER 2.0 PRODUCT SPEC: 108-130021 APPLICATION SPEC: 114-130008 WEIGHT: -	
CUSTOMER DRAWING		SCALE: 10:1	SHEET 3 OF 4 REV A

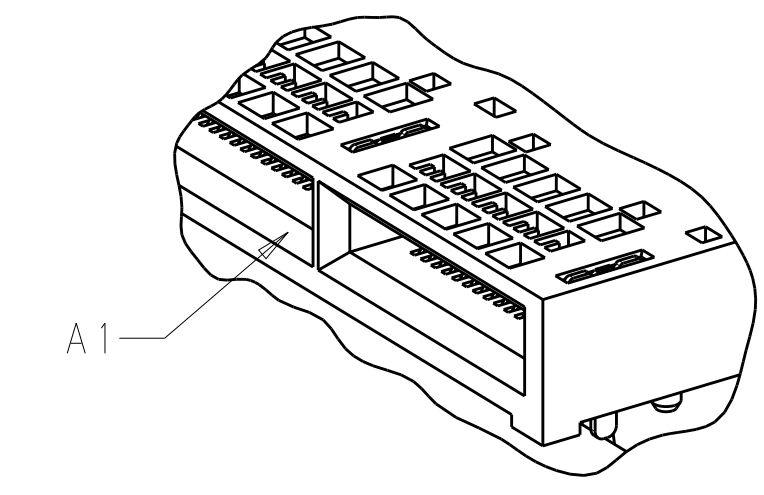
REVISIONS				
P.	LTN	DESCRIPTION	DATE	APVD
-	-	SEE SHEET 1	-	-

CONNECTOR CONTACT IDENTIFICATION  

CONTACT NUMBER	SIDE A	SIDE B
1	GROUND	GROUND
2	SIGNAL	SIGNAL
3	SIGNAL	SIGNAL
4	GROUND	GROUND
5	SIGNAL	SIGNAL
6	SIGNAL	SIGNAL
7	GROUND	GROUND
8	SIGNAL	SIGNAL
9	SIGNAL	SIGNAL
10	GROUND	GROUND
11	SIGNAL	SIGNAL
12	SIGNAL	SIGNAL
13	GROUND	GROUND
14	SIGNAL	SIGNAL
15	SIGNAL	SIGNAL
16	GROUND	GROUND
17	SIGNAL	SIGNAL
18	SIGNAL	SIGNAL
19	GROUND	GROUND
20	SIGNAL	SIGNAL
21	SIGNAL	SIGNAL
22	GROUND	GROUND
23	SIGNAL	SIGNAL
24	SIGNAL	SIGNAL
25	GROUND	GROUND
26	SIGNAL	SIGNAL
27	SIGNAL	SIGNAL
28	GROUND	GROUND
29	GROUND	GROUND
30	SIGNAL	SIGNAL
31	SIGNAL	SIGNAL
32	GROUND	GROUND
33	SIGNAL	SIGNAL
34	SIGNAL	SIGNAL
35	GROUND	GROUND

CONTACT NUMBER	SIDE A	SIDE B
36	SIGNAL	SIGNAL
37	SIGNAL	SIGNAL
38	GROUND	GROUND
39	SIGNAL	SIGNAL
40	SIGNAL	SIGNAL
41	GROUND	GROUND
42	GROUND	GROUND
43	GROUND	GROUND
44	SIGNAL	SIGNAL
45	SIGNAL	SIGNAL
46	GROUND	GROUND
47	SIGNAL	SIGNAL
48	SIGNAL	SIGNAL
49	GROUND	GROUND
50	SIGNAL	SIGNAL
51	SIGNAL	SIGNAL
52	GROUND	GROUND
53	SIGNAL	SIGNAL
54	SIGNAL	SIGNAL
55	GROUND	GROUND
56	SIGNAL	SIGNAL
57	SIGNAL	SIGNAL
58	GROUND	GROUND
59	SIGNAL	SIGNAL
60	SIGNAL	SIGNAL
61	GROUND	GROUND
62	SIGNAL	SIGNAL
63	SIGNAL	SIGNAL
64	GROUND	GROUND
65	SIGNAL	SIGNAL
66	SIGNAL	SIGNAL
67	GROUND	GROUND
68	SIGNAL	SIGNAL
69	SIGNAL	SIGNAL
70	GROUND	GROUND

CONTACT NUMBER	SIDE OA	SIDE OB
1	GROUND	GROUND
2	SIGNAL	SIGNAL
3	SIGNAL	SIGNAL
4	GROUND	GROUND
5	SIGNAL	SIGNAL
6	SIGNAL	SIGNAL
7	GROUND	GROUND
8	SIGNAL	SIGNAL
9	SIGNAL	SIGNAL
10	GROUND	GROUND
11	SIGNAL	SIGNAL
12	SIGNAL	SIGNAL
13	GROUND	GROUND
14	GROUND	GROUND



DETAIL J  
SCALE 4:1

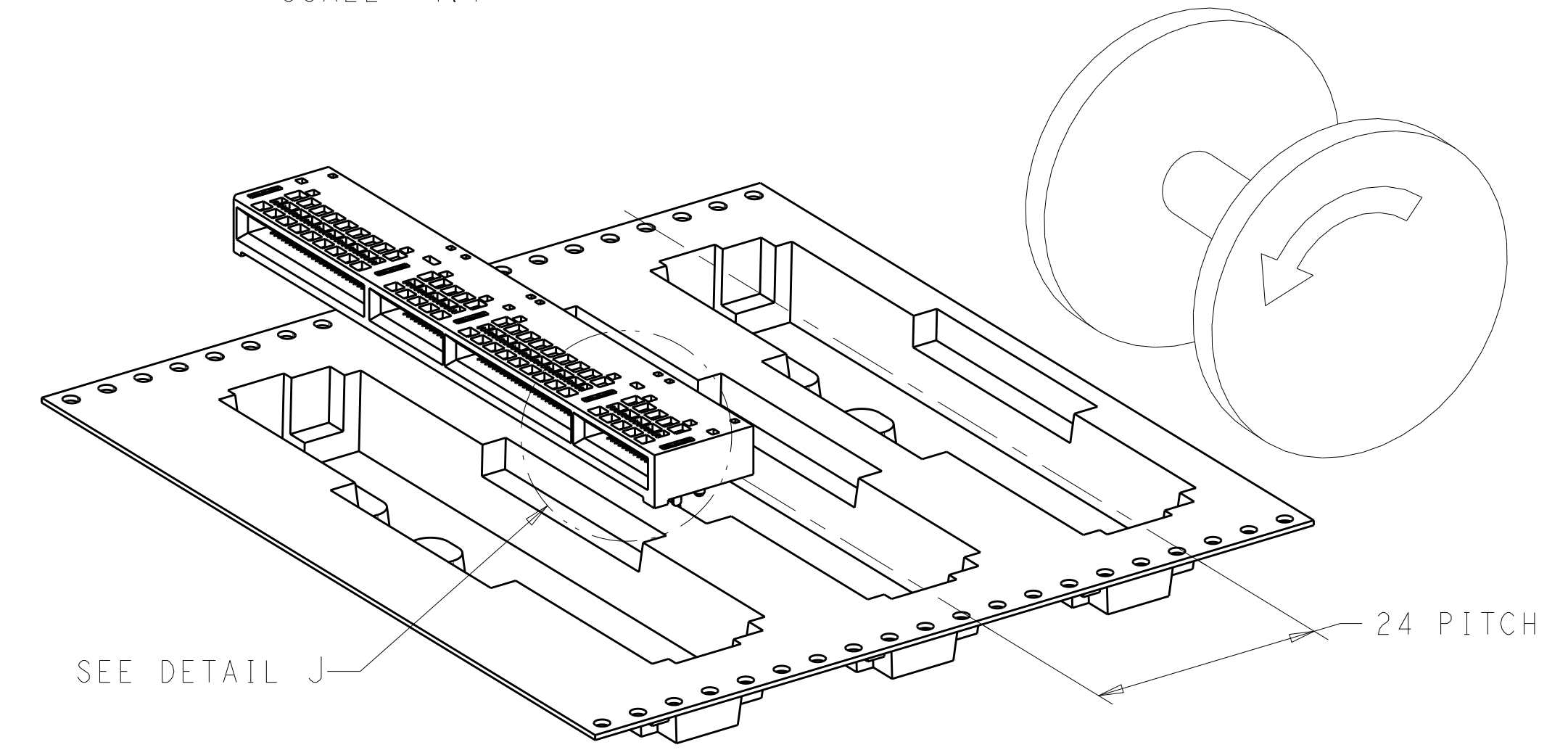
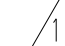
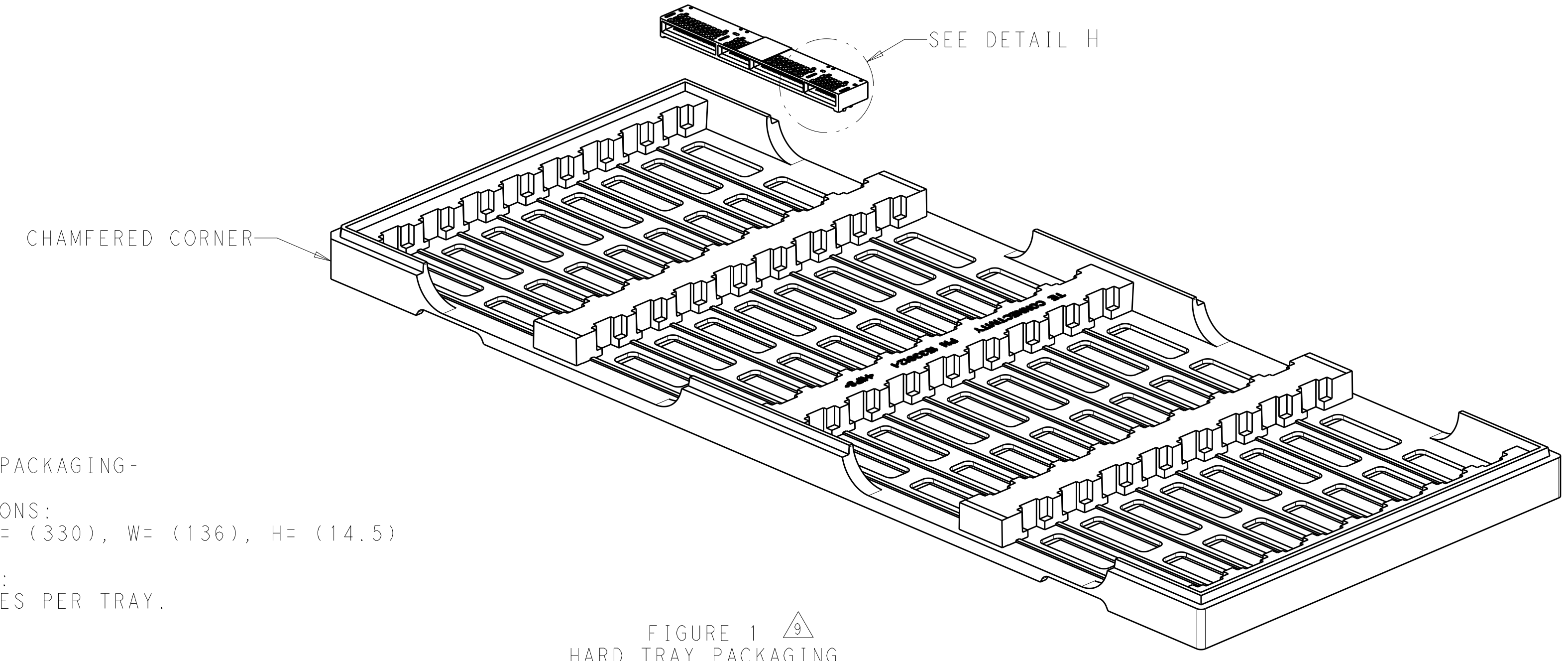
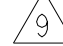


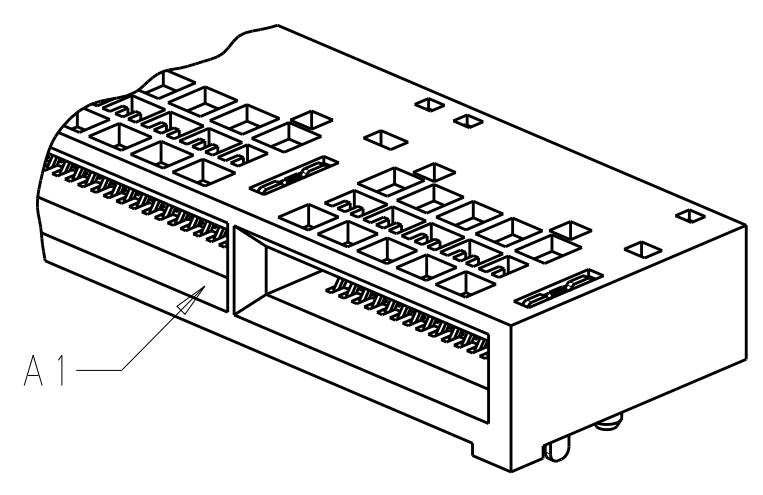
FIGURE 2   
DIRECTION OFF TOP OF REEL  
FOR USER UNREELING  
APPLIES TO 2336568-9 ONLY  
SCALE 2:1





HARD TRAY PACKAGING-

- DIMENSIONS:  
TRAY: L= (330), W= (136), H= (14.5)
- QUANTITY:  
32 PIECES PER TRAY.

FIGURE 1   
HARD TRAY PACKAGING  
APPLIES TO 2336568-1 THRU 2336568-8  
SCALE 1:1



DETAIL H  
SCALE 4:1

THIS DRAWING IS A CONTROLLED DOCUMENT.		OWN C. VALENTINE 10MAY2018	 TE Connectivity
DIMENSIONS:		CHK D. HARMON 10MAY2018	
mm	TOLERANCES UNLESS OTHERWISE SPECIFIED:	APVD D. HARMON 10MAY2018	NAME RECEPTACLE ASSEMBLY, RIGHT ANGLE, 168 POSITION, SILVER 2.0
	0 PLC ± 1 PLC ± 2 PLC ± 3 PLC ± 4 PLC ± ANGLES ±	PRODUCT SPEC 108-130021	SIZE A1
MATERIAL	FINISH	APPLICATION SPEC 114-130008	CAGE CODE C=2336568
		WEIGHT	RESTRICTED TO
		CUSTOMER DRAWING	SCALE 8:1 SHEET 4 OF 4 REV A