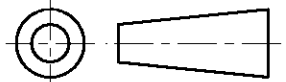


DO NOT SCALE

DIMENSIONS IN mm

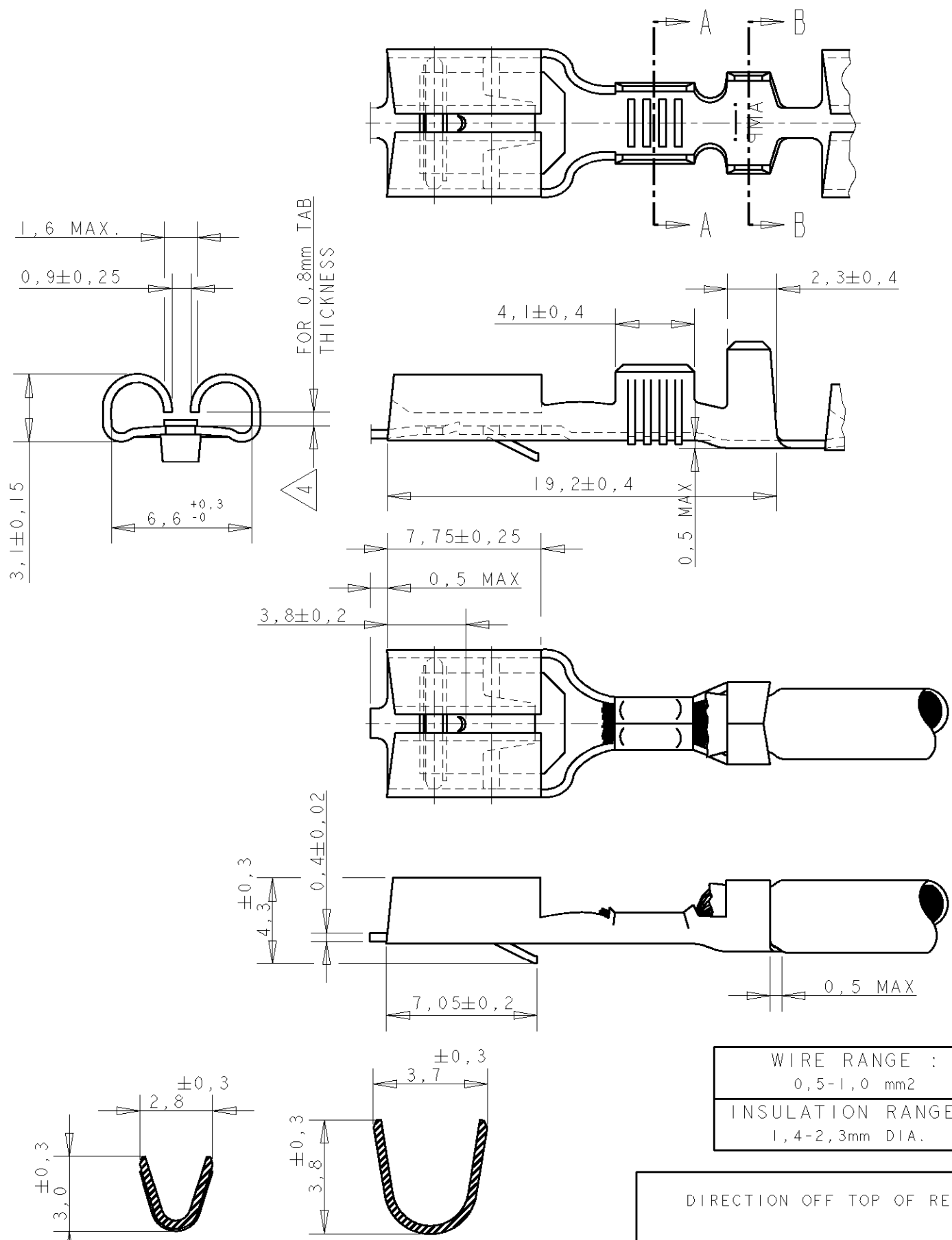
METRIC

THIRD ANGLE  
PROJECTION



NOTES:

- 1 FOR USE ON MINIATURE APPLICATORS ( LEFT-RIGHT FEED ) AND STANDARD APPLICATORS ( RIGHT-LEFT FEED ).
- 2 BRASS ACC ASTM B36 ALLOY 260.
- 3 PH.BRONZE ACC ASTM B103.
- 4 GAGE 0,71 MUST NOT ENTER ; GAGE 0,51 MUST ENTER.
- 5 REELED WITH PAPER COVER
- 6 OBSOLETE PARTS: OBSOLETE CIS STREAMLINING PER D.RENAUD/D.SINISI



GENERAL TOLERANCES ±0.3

6	NOTES	FINISH	MATERIAL	PARTNUMBER
	1 3	PRE-TINPLATED	PH.BRONZE	<del>6-160860-8</del>
	1 2	PRE-TINPLATED	BRASS	<del>6-160860-7</del>
	1 3	TINPLATED	PH.BRONZE	160860-4
	1 3	UNPLATED	PH.BRONZE	160860-3
	1 2	TINPLATED	BRASS	160860-2
	1 2	UNPLATED	BRASS	160860-1

CUSTOMER DRAWING FOR REFERENCE ONLY WILL NOT BE UPDATED

THIS DRAWING IS UNPUBLISHED RELEASED FOR PUBLICATION



NAME .250 SRS FASTIN-ON RECEPTACLE

<b>D2</b>	REVISED PER ECO-11-005140	<b>RK</b>	<b>HMR</b>	<b>01APR11</b>	
LTR.	REVISION RECORD	DR.	CHK.	DATE	
DR.:	P.BEIJNON	CHK.:	A.BIJNEN	APP.:	L.v.SOEST
DATE:	14-03-90	DATE:	-	DATE:	18-04-90

DWG.No.	160860	REV.LTR.	<b>D2</b>	SHEET	1 OF 1	A3
---------	--------	----------	-----------	-------	--------	----

# Mouser Electronics

Authorized Distributor

Click to View Pricing, Inventory, Delivery & Lifecycle Information:

[TE Connectivity:](#)

[160860-3](#)