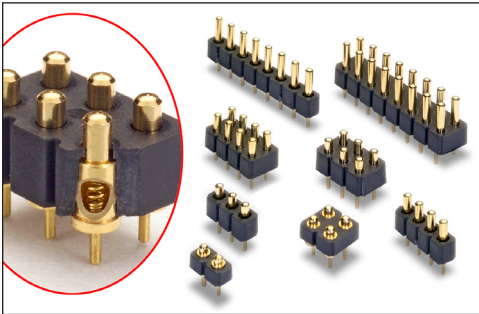


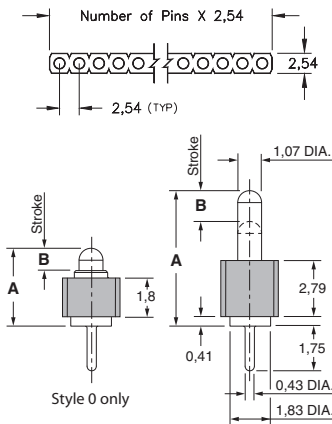
SPRING-LOADED CONNECTORS

SERIES 821 & 823 • 2,54 GRID THROUGH-HOLE MOUNT • SINGLE AND DOUBLE ROW STRIPS

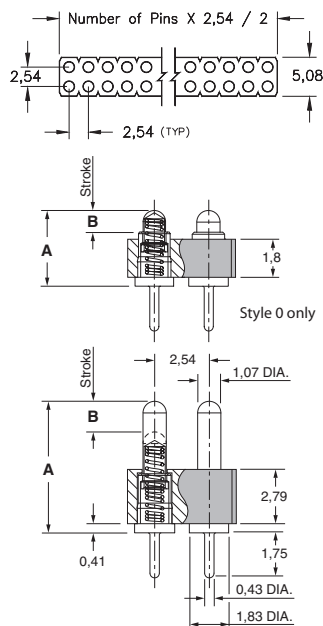


- Modular contacts for use on 2,54 grid, available in five heights from 3,48 to 5,99, supplied in single and double row contact strips
- Precision-machined piston / base and gold-plated components assure up to 1,000,000 cycle life durability
- Pistons have a long stroke relative to the low profile of the assembly
- Low resistance, high current contacts are rated at 2 amps continuous, 3 amps peak
- High temperature thermoplastic insulators are suitable for surface mount processes
- Both 821 & 823 series contact strips are designed for manual placement into $\varnothing 0,56 \pm 0,08$ plated through-holes in the circuit board prior to hand, wave or reflow soldering

SINGLE ROW Series 821



DOUBLE ROW Series 823



ORDERING INFORMATION

Single Row Series 821

821-22-0XX-10-00X101

Specify number of contacts 02-64 Specify contact style 0-4

Double Row Series 823

823-22-0XX-10-00X101

Specify number of contacts 04-72 Specify contact style 0-4

CONTACT STYLE	INITIAL HEIGHT A	MAX. STROKE B
0	3,48	0,99
1	4,50	1,14
2	5,0	1,39
3	5,51	1,39
4	5,99	1,39

Technical Specifications

Materials:

Contact piston & base: Machined copper alloy plated 0,51 μm gold over 2,54 μm nickel
 Spring: Beryllium copper-plated 0,25 μm gold
 Insulator: High temperature thermoplastic, rated UL94 V-0

Mechanical:

Spring force @ initial height (A): 25 grams
 Spring force @ mid stroke (B/2): 60 grams
 Durability: Up to 1,000,000 cycles

Electrical:

Voltage rating: 100Vrms/150Vdc
 Current rating: 2A (continuous), 3A (peak) per contact
 Contact resistance: 20m Ω max.
 Insulation resistance: 10,000M Ω min.
 Dielectric strength: 700Vrms min.
 Capacitance: 1pF max.

RoHS-2
2011/65/EU



Mouser Electronics

Authorized Distributor

Click to View Pricing, Inventory, Delivery & Lifecycle Information:

Mill-Max:

[821-22-002-10-004-101](#) [821-22-004-10-000101](#)