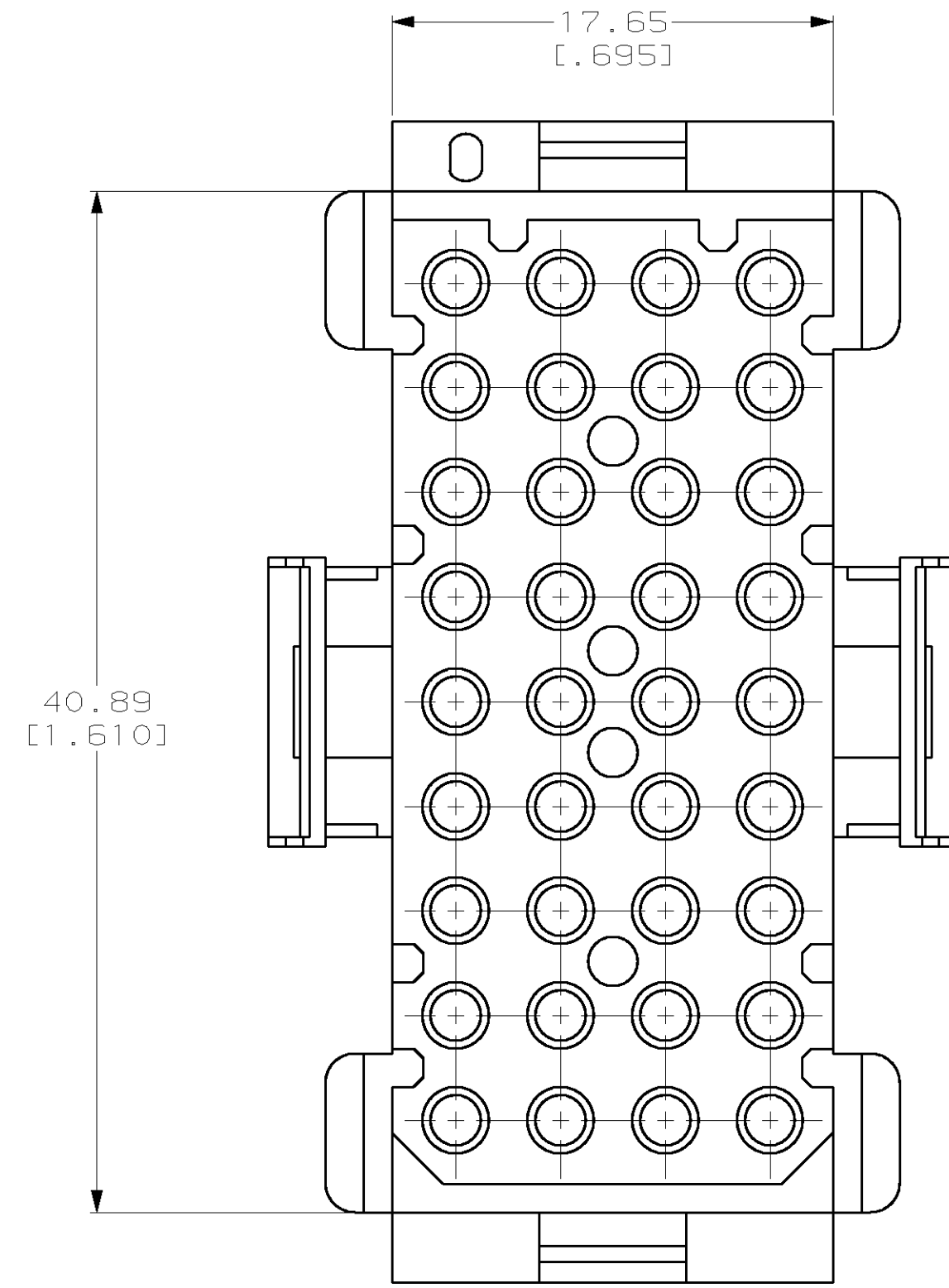
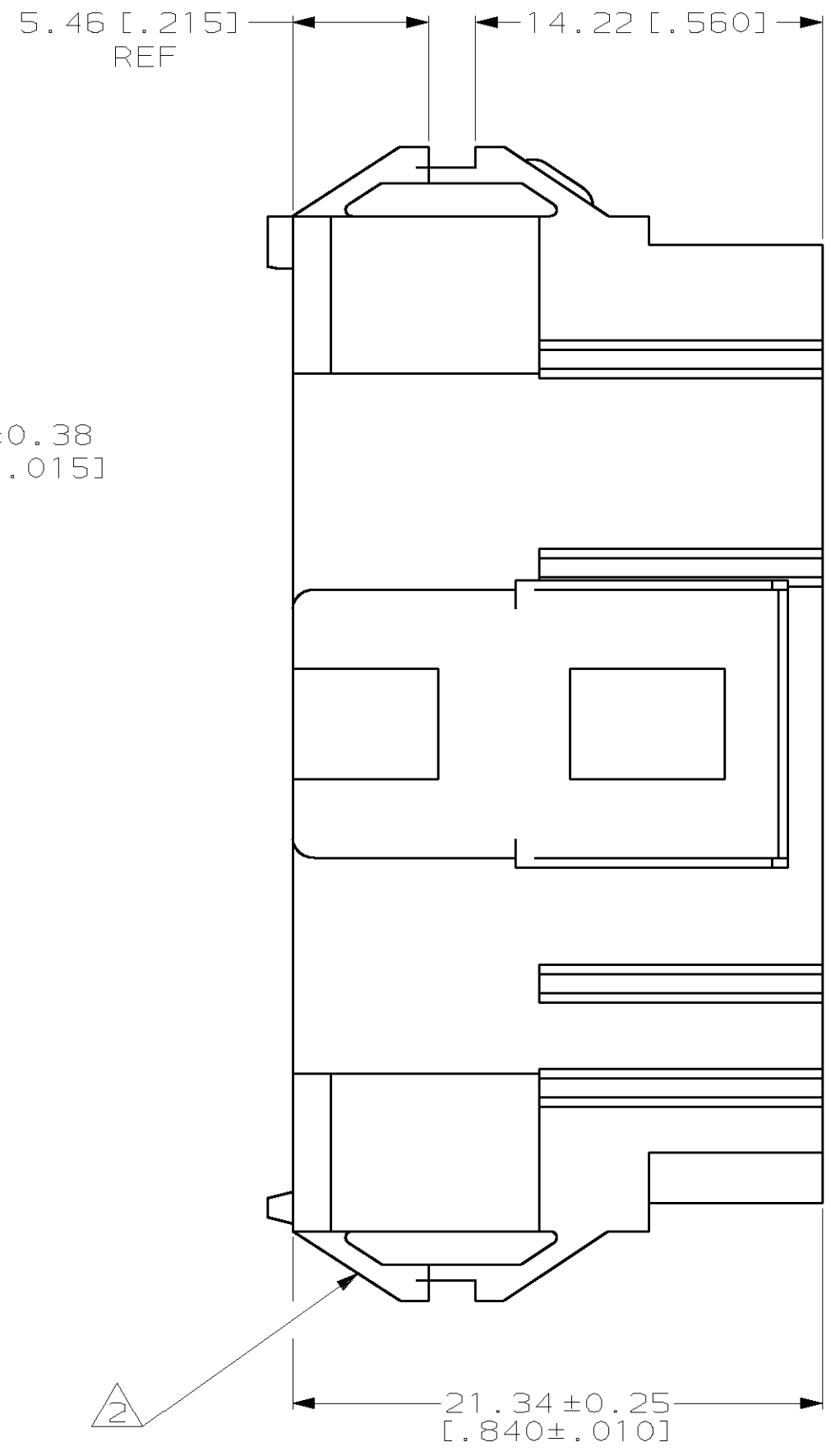
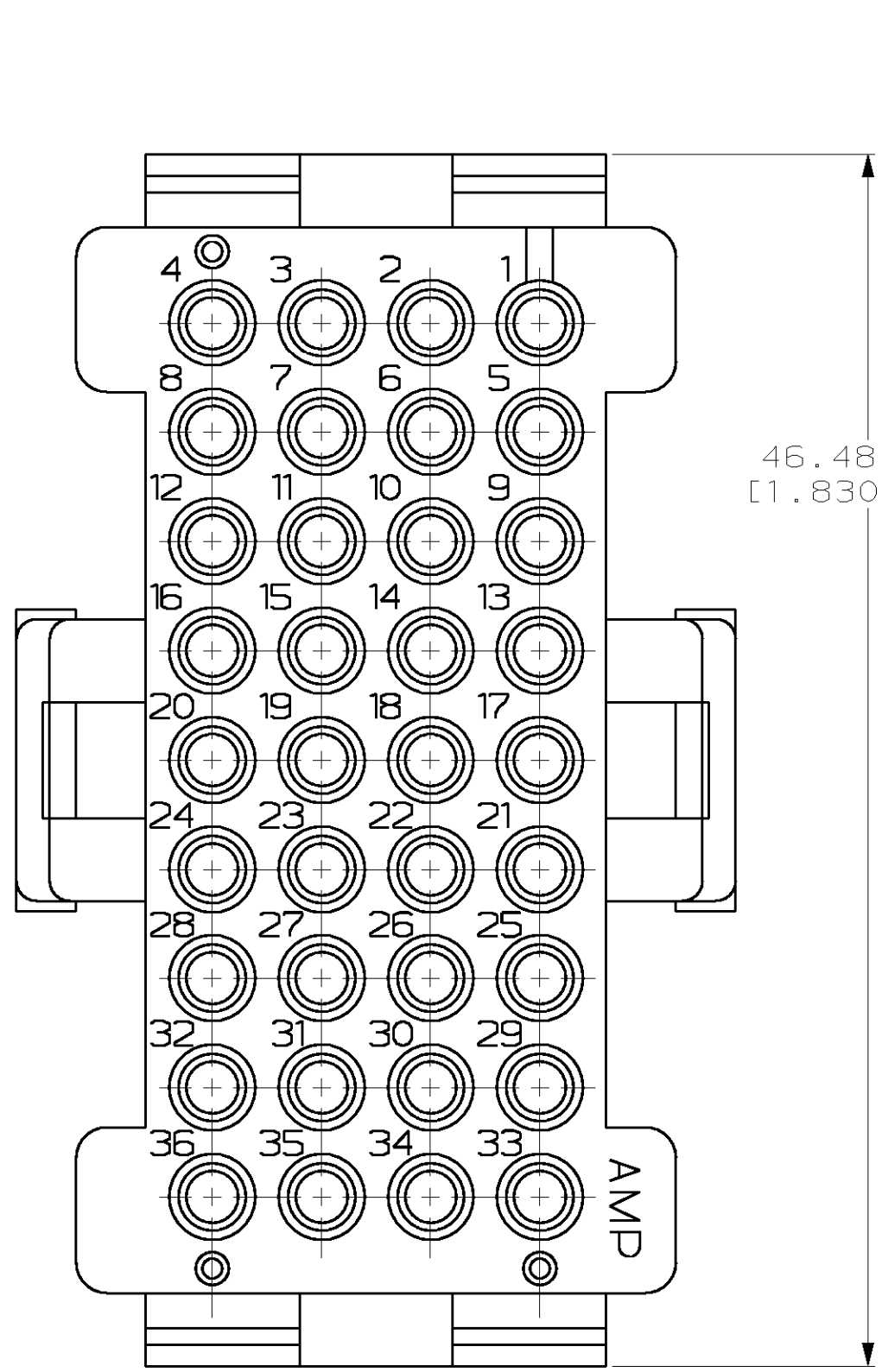
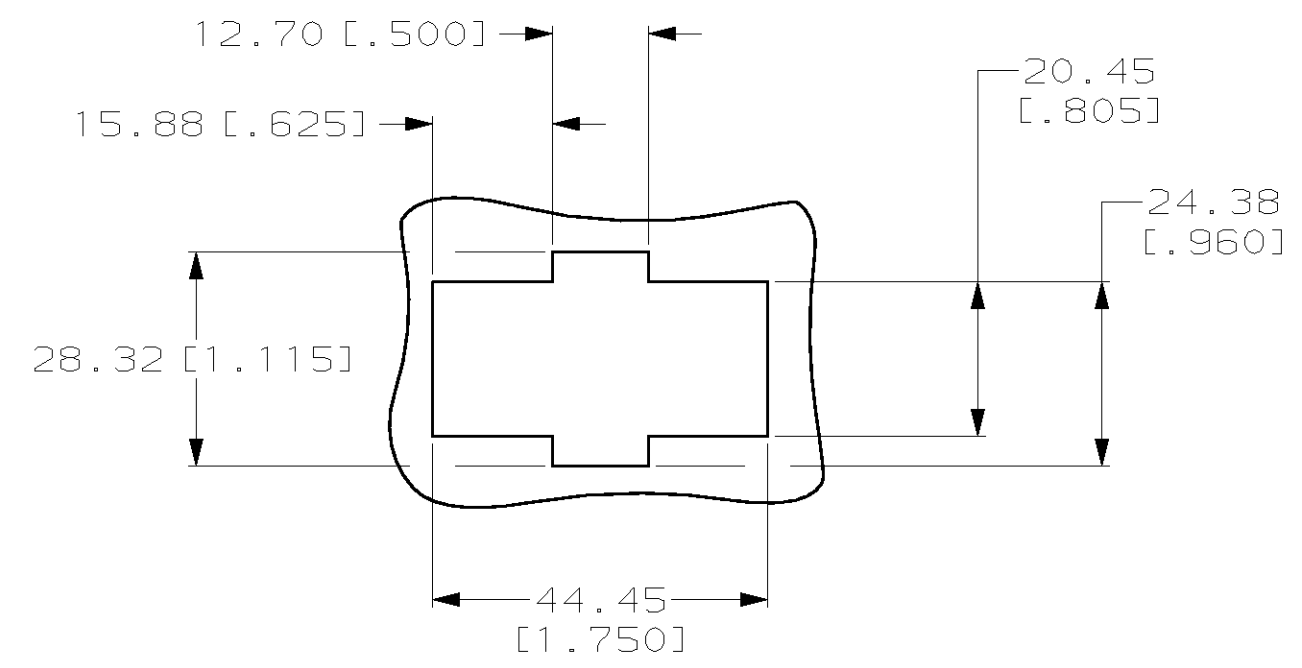
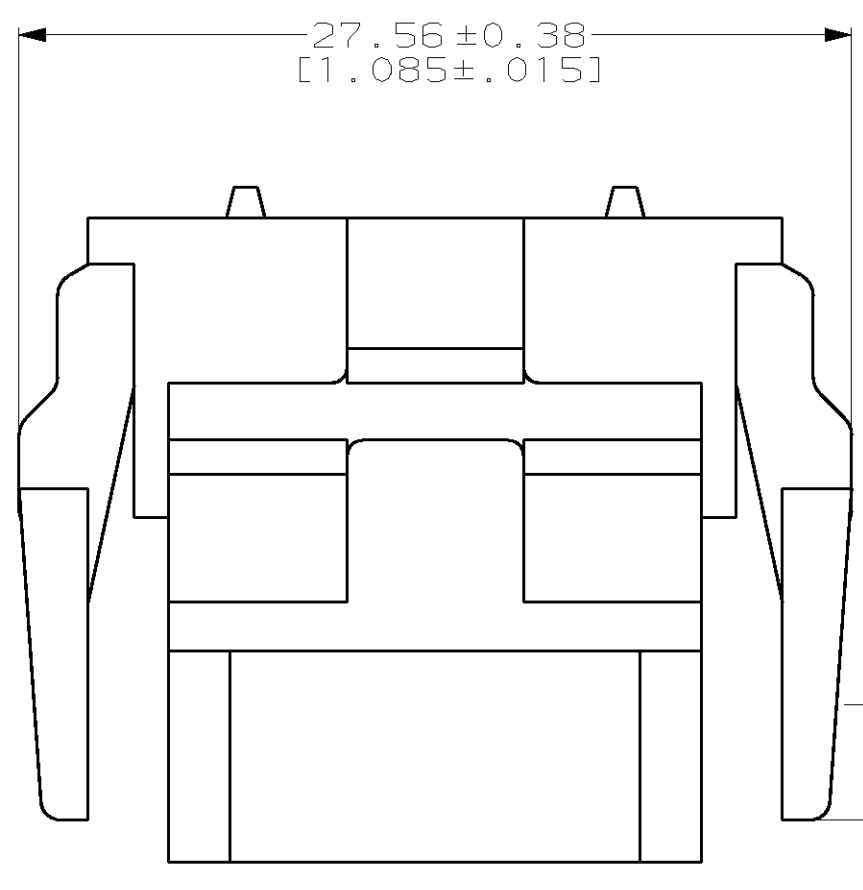


THIS DRAWING IS UNPUBLISHED. RELEASED FOR PUBLICATION .19
 © COPYRIGHT 19 BY AMP INCORPORATED. ALL RIGHTS RESERVED.

LOC		DIST		REVISIONS			
P	LTR	DESCRIPTION	DATE	DWN	APVD		
CM	52	E	REVISED PER EC 063B-0104-99	05-OCT-99	KW	KC	



- MATES WITH HOUSING 640516.
- UL LOGO AND CSA LOGO TO APPEAR ON EITHER LATCH SURFACE PER AMP SPEC 202-20, I.D. NO. 1-18838-3 AND 1-18839-3. FROST BACKGROUND OPTIONAL.
- DIMENSIONS IN BRACKETS ARE IN INCHES.
- NON-FILL PERMITTED UP TO 3.8 [.15] FROM EDGE OF LATCH ARM ON THE 0.38 [.015] THICK FLANGE, 4 PLC.



1-640526-0
PART NUMBER

THIS DRAWING IS A CONTROLLED DOCUMENT.		DWN	R. VESTAL	12-01-97	AMP Incorporated Harrisburg, PA 17105-3608
DIMENSIONS: mm [INCHES]		CHK	R. SWING	12-01-97	
TOLERANCES UNLESS OTHERWISE SPECIFIED:		APVD	A. BEDDICK	12-01-97	
0 PLC ± 1 PLC ± 2 PLC ±0.13 [.005] 3 PLC ± 4 PLC ± ANGLES ±0°30' FINISH -		PRODUCT SPEC	HOUSING, PLUG MRII 36 POSITION		NAME
MATERIAL NYLON, UL 94V-0, NATURAL (BRICK RED)		APPLICATION SPEC	A2		SIZE
METRIC		WEIGHT	00779		CAGE CODE
		CUSTOMER DRAWING	C-640526		DRAWING NO
		SCALE	4:1		SHEET
			1 OF 1		REV
			E		