
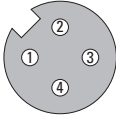

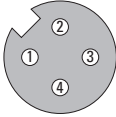



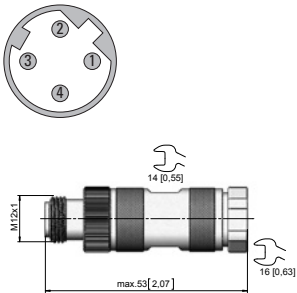






# Connection technology

| M12 connection technology  |   | Connectors, self-assembly  |                           | Order no. |
|--|---|--|---------------------------|-----------|
| <b>4 pin</b>   |   |  |                           |           |
| <p><b>Female connector with coupling nut</b><br/>A coded, straight power supply</p> <p>Housing: plastic, IP67</p>             | <p>screw connections,<br/>for cable <math>\varnothing</math> 4 ... 6 mm [0.16 ... 0.24"]</p>                   | <p>suitable for our series:</p> <p>EMIO.SIO.10xP</p> <p>F5858 / F5878<br/>F5868 / F5888<br/>5858 / 5878<br/>5868 / 5888<br/>9080</p> | <p><b>05.B8141-0</b></p>  |           |
| <p><b>Female connector with coupling nut</b><br/>A coded, right-angle power supply</p> <p>Housing: plastic, IP67</p>         | <p>screw connections,<br/>for cable <math>\varnothing</math> 4 ... 6 mm [0.16 ... 0.24"]</p>                   | <p>suitable for our series:</p> <p>EMIO.SIO.10xP</p> <p>5858 / 5878<br/>5868 / 5888<br/>9080</p>                                     | <p><b>05.B8241-0</b></p>  |           |
| <p><b>Male connector with external thread</b><br/>A coded, straight power supply</p> <p>Housing: metal / plastic, IP67</p>  | <p>screw connections,<br/>for cable <math>\varnothing</math> 4 ... 6 mm [0.16 ... 0.24"]</p>                 | <p>suitable for:</p> <p>versions with cable outlet</p>   | <p><b>05.BS8141-0</b></p> |           |
| <p><b>Male connector with external thread</b><br/>D coded, straight</p> <p>Housing: metal, IP67</p>                         | <p>displacement/terminal connection,<br/>for cable <math>\varnothing</math> 4 ... 9 mm [0.16 ... 0.35"]</p>  | <p>suitable for our series:</p> <p>F5858 / F5878<br/>F5868 / F5888<br/>5858 / 5878<br/>5868 / 5888</p>                               | <p><b>05.WASCSY4S</b></p> |           |

## M12 connection technology Connectors, self-assembly

| 5 pin  |  |  | Order no.                         |               |               |             |               |        |               |        |               |               |       |       |             |      |                                |
|--|--|--|-----------------------------------|---------------|---------------|-------------|---------------|--------|---------------|--------|---------------|---------------|-------|-------|-------------|------|--------------------------------|
| <p><b>Female connector with coupling nut</b><br/><b>A coded, straight</b></p> <p>Housing: metal, IP67</p>         | <p>screw connections,<br/>for cable <math>\varnothing</math> 6 ... 8 mm [0.24 ... 0.32"]</p> | <p>suitable for our series:</p> <p>A50, B80, C120, D135<br/>IS40, IS60, IN88</p> <table border="0"> <tr> <td>3651 / 3671</td> <td>M3658 / M3678</td> </tr> <tr> <td>F3658 / F3658</td> <td>5858 / 5878</td> </tr> <tr> <td>M3661 / M3681</td> <td>M3661R</td> </tr> <tr> <td>M3668 / M3688</td> <td>M3668R</td> </tr> <tr> <td>F3668 / F3688</td> <td>F5868 / F5888</td> </tr> <tr> <td>M5861</td> <td>M5868</td> </tr> <tr> <td>5868 / 5888</td> <td>9080</td> </tr> </table> | 3651 / 3671                       | M3658 / M3678 | F3658 / F3658 | 5858 / 5878 | M3661 / M3681 | M3661R | M3668 / M3688 | M3668R | F3668 / F3688 | F5868 / F5888 | M5861 | M5868 | 5868 / 5888 | 9080 | <p><b>8.0000.5116.0000</b></p> |
| 3651 / 3671  | M3658 / M3678  |  |                                   |               |               |             |               |        |               |        |               |               |       |       |             |      |                                |
| F3658 / F3658  | 5858 / 5878  |  |                                   |               |               |             |               |        |               |        |               |               |       |       |             |      |                                |
| M3661 / M3681  | M3661R   |  |                                   |               |               |             |               |        |               |        |               |               |       |       |             |      |                                |
| M3668 / M3688  | M3668R   |  |                                   |               |               |             |               |        |               |        |               |               |       |       |             |      |                                |
| F3668 / F3688  | F5868 / F5888  |  |                                   |               |               |             |               |        |               |        |               |               |       |       |             |      |                                |
| M5861  | M5868  |  |                                   |               |               |             |               |        |               |        |               |               |       |       |             |      |                                |
| 5868 / 5888  | 9080   |  |                                   |               |               |             |               |        |               |        |               |               |       |       |             |      |                                |
| <p><b>Female connector with coupling nut</b><br/><b>A coded, straight</b></p> <p>Housing: metal, IP67</p>        | <p>screw connections,<br/>for cable <math>\varnothing</math> 6 ... 9 mm [0.24 ... 0.35"]</p> | <p>suitable for our series:</p> <p>ATEX zone 2/22 encoders</p>   | <p><b>8.0000.5116.0000.Ex</b></p> |               |               |             |               |        |               |        |               |               |       |       |             |      |                                |
| <p><b>Female connector with coupling nut</b><br/><b>A coded, straight</b></p> <p>Housing: plastic, IP67</p>     | <p>screw connections,<br/>for cable <math>\varnothing</math> 6 ... 8 mm [0.24 ... 0.32"]</p> | <p>suitable for our series:</p> <p>A50, B80, C120, D135,<br/>IS40, IS60, IN88</p> <p>3651 / 3671<br/>9080</p>  | <p><b>05.B-8151-0/9</b></p>       |               |               |             |               |        |               |        |               |               |       |       |             |      |                                |
| <p><b>Female connector with coupling nut</b><br/><b>A coded, right-angle</b></p> <p>Housing: plastic, IP67</p>  | <p>screw connections,<br/>for cable <math>\varnothing</math> 6 ... 8 mm [0.24 ... 0.32"]</p> | <p>suitable for our series:</p> <p>A50, B80, C120, D135<br/>IS40, IS60, IN88</p> <p>3651 / 3671<br/>9080</p>   | <p><b>05.B-8251-0/9</b></p>       |               |               |             |               |        |               |        |               |               |       |       |             |      |                                |


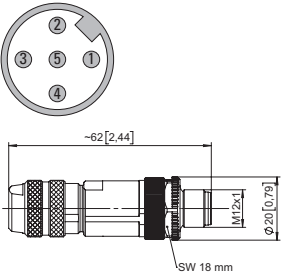

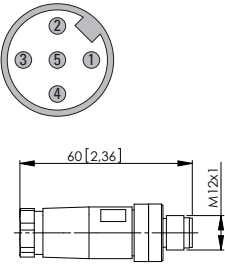

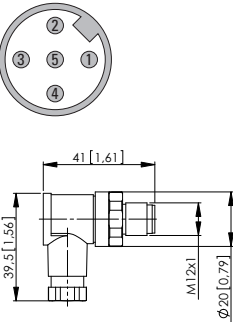
**CANopen**  
**DeviceNet**




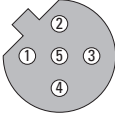
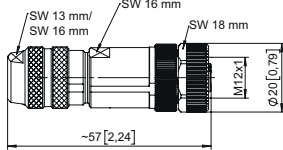


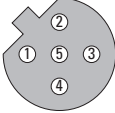
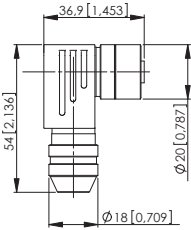



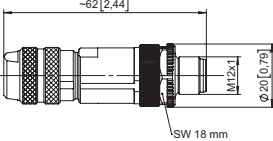



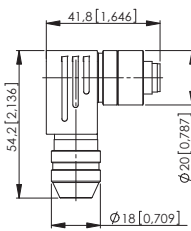

**DeviceNet**

**DeviceNet**

# Connection technology

| M12 connection technology   |  | Connectors, self-assembly   |                              | Order no.     |               |               |                 |               |             |             |                                |  |
|---|--|---|------------------------------|---------------|---------------|---------------|-----------------|---------------|-------------|-------------|--------------------------------|--|
| <b>5 pin</b>  |  |   |                              |               |               |               |                 |               |             |             |                                |  |
| <p><b>Male connector with external thread</b><br/><b>A coded, straight</b></p> <p>Housing: metal, IP67</p>                 | <p>screw connections,<br/>for cable <math>\varnothing</math> 6 ... 8 mm [0.24 ... 0.32"]</p>    | <p>suitable for our series:</p> <table border="0"> <tr> <td>F3658 / F3658</td> <td>F3668 / F3688</td> </tr> <tr> <td>M3658 / M3678</td> <td>M3668 / M3688</td> </tr> <tr> <td>M3668R / M3688R</td> <td>F5868 / F5888</td> </tr> <tr> <td>5858 / 5878</td> <td>5868 / 5888</td> </tr> </table> <p>9080<br/>IS60</p> <p><b>CANopen</b><br/><b>DeviceNet</b></p> | F3658 / F3658                | F3668 / F3688 | M3658 / M3678 | M3668 / M3688 | M3668R / M3688R | F5868 / F5888 | 5858 / 5878 | 5868 / 5888 | <p><b>8.0000.5111.0000</b></p> |  |
| F3658 / F3658   | F3668 / F3688  |   |                              |               |               |               |                 |               |             |             |                                |  |
| M3658 / M3678   | M3668 / M3688  |   |                              |               |               |               |                 |               |             |             |                                |  |
| M3668R / M3688R   | F5868 / F5888  |   |                              |               |               |               |                 |               |             |             |                                |  |
| 5858 / 5878   | 5868 / 5888  |   |                              |               |               |               |                 |               |             |             |                                |  |
| <p><b>Male connector with external thread</b><br/><b>A coded, straight</b></p> <p>Housing: metal / plastic, IP67</p>      | <p>screw connections,<br/>for cable <math>\varnothing</math> 6 ... 8 mm [0.24 ... 0.32"]</p>   | <p>suitable for our series:</p> <p>9080<br/>IS60, IN88</p> <p>EMIO.SIO.10xP</p> <p><b>DeviceNet</b></p>   | <p><b>05.BS-8151-0/9</b></p> |               |               |               |                 |               |             |             |                                |  |
| <p><b>Male connector with external thread</b><br/><b>A coded, right-angle</b></p> <p>Housing: metal / plastic, IP67</p>  | <p>screw connections,<br/>for cable <math>\varnothing</math> 6 ... 8 mm [0.24 ... 0.32"]</p>  | <p>suitable for our series:</p> <p>9080<br/>IS60, IN88</p> <p><b>DeviceNet</b></p>  | <p><b>05.BS-8251-0/9</b></p> |               |               |               |                 |               |             |             |                                |  |

# Connection technology

| M12 connection technology  |   | Connectors, self-assembly  |                          | Order no. |
|--|---|--|--------------------------|-----------|
| <b>5 pin</b>   |   |  |                          |           |
| <b>Female connector with coupling nut B coded, straight</b><br>Housing: metal, IP67<br>       | screw connections,<br>for cable $\varnothing$ 4 ... 9 mm [0.16 ... 0.35"]<br><br>     | suitable for our series:<br>5858 / 5878<br>5868 / 5888<br>9080<br>   | <b>05.BMWS 8151-8.5</b>  |           |
| <b>Female connector with coupling nut B coded, right-angle</b><br>Housing: metal, IP67<br>   | screw connections,<br>for cable $\varnothing$ 4 ... 9 mm [0.16 ... 0.35"]<br><br>    | suitable for our series:<br>5858 / 5878<br>5868 / 5888<br>9080<br> | <b>05.BMWS 8251-8.5</b>  |           |
| <b>Male connector with external thread B coded, straight</b><br>Housing: metal, IP67<br>    | screw connections,<br>for cable $\varnothing$ 4 ... 9 mm [0.16 ... 0.35"]<br><br> | suitable for our series:<br>5858 / 5878<br>5868 / 5888<br>9080<br> | <b>05.BMSWS 8151-8.5</b> |           |
| <b>Male connector with external thread B coded, right-angle</b><br>Housing: metal, IP67<br> | screw connections,<br>for cable $\varnothing$ 4 ... 9 mm [0.16 ... 0.35"]<br><br> | suitable for our series:<br>5858 / 5878<br>5868 / 5888<br>9080<br> | <b>05.BMSWS 8251-8.5</b> |           |

# Connection technology

## M12 connection technology Connectors, self-assembly

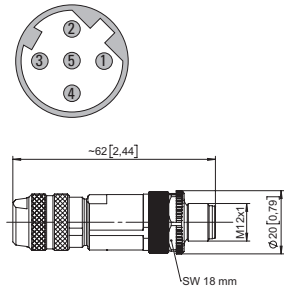
5 pin Order no.

**Male connector with external thread  
D coded, straight**

Housing: metal, IP67



screw connections,  
for cable  $\varnothing$  6 ... 8 mm [0.24 ... 0.32"]



suitable for our series:

- 5858 / 5878
- F5858 / F5878
- 5868 / 5888
- F5868 / F5888




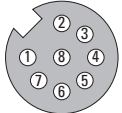
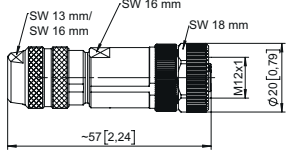


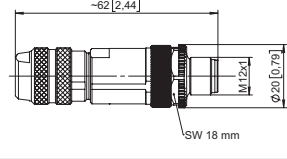

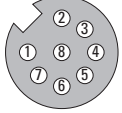
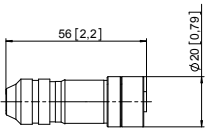


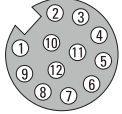
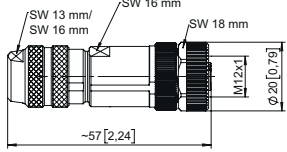
**EtherCAT**  
Conformance tested





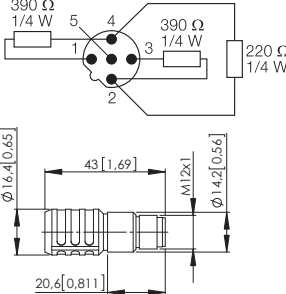


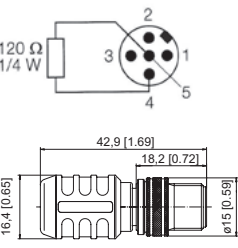


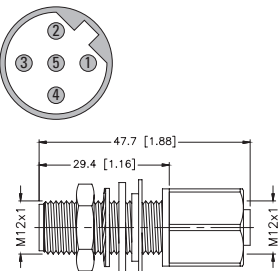

**EtherNet/IP**

**8.0000.5121.0000.Ex**

# Connection technology


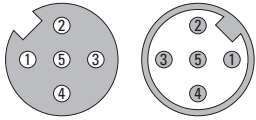

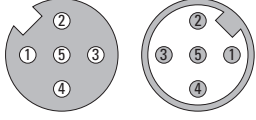
| M12 connection technology  |   | Connectors, self-assembly  |                            | Order no. |
|--|---|--|----------------------------|-----------|
| <b>8 pin</b>   |   |  |                            |           |
| <b>Female connector with coupling nut</b><br><b>A coded, straight</b><br>Housing: metal, IP67<br>   | screw connections,<br>for cable $\varnothing$ 6 ... 8 mm [0.24 ... 0.32"]<br><br>     | suitable for our series:<br>3610 / 3620      5814 / 5834<br>F3653 / F3673    5853 / 5873<br>F3663 / F3683    5863 / 5883<br>M3663 / M3683    58x4FSx<br>M3663R            F5883M<br>M5863<br>5000 / 5020      5821<br>5006 / 5026      5876<br>KIS40 / KIH40    KIS50 / KIH50<br>A020 / A02H      H120 | <b>05.CMB 8181-0</b>       |           |
| <b>Male connector with external thread</b><br><b>A coded, straight</b><br>Housing: metal, IP67<br> | screw connections,<br>for cable $\varnothing$ 6 ... 8 mm [0.24 ... 0.32"]<br><br>   | suitable for:<br>versions with cable outlet  | <b>05.CMBS 8181-0</b>      |           |
| <b>Female connector with coupling nut</b><br><b>A coded, straight</b><br>Housing: metal, IP67<br> | screw connections,<br>for cable $\varnothing$ 6 ... 9 mm [0.24 ... 0.35"]<br><br> | suitable for our series:<br>ATEX zone 2/22 encoders<br>   | <b>8.0000.5136.0000.Ex</b> |           |
| <b>12 pin</b>  |   |  |                            |           |
| <b>Female connector with coupling nut</b><br><b>A coded, straight</b><br>Housing: metal, IP67<br> | screw connections,<br>for cable $\varnothing$ 6 ... 8 mm [0.24 ... 0.32"]<br><br> | suitable for:<br>LA10  | <b>8.0000.5162.0000</b>    |           |

# Connection technology

| M12 connection technology  |  | Connectors, self-assembly   | Order no.        |
|--|--|---|------------------|
| <b>Accessories</b>   |  |   |                  |
| <b>Securing clip for M12 connectors</b><br>Material: plastic<br>  | against accidental disconnection under load<br>working temperature range<br>-25°C ... +90°C [-13°F ... +194°F] |   | 8.0000.5000.0006 |
| <b>Terminating resistor Male connector with external thread B coded, straight</b><br>Housing: metal / plastic, IP67<br>  |                              | suitable for our series:<br><br>5858 / 5878<br>5868 / 5888<br>9080<br><br>                   | 05.RSS4.5-PDP-TR |
| <b>Terminating resistor Male connector with external thread A coded, straight</b><br>Housing: metal / plastic, IP67<br> |                             | suitable for our series:<br><br>F5868 / F5888<br>5858 / 5878<br>5868 / 5888<br>9080<br><br> | 05.RSE 57 TR2    |
| <b>M12 lead-through B coded, straight</b><br>Housing: metal, IP67<br>   |                             | suitable for our series:<br><br>5858 / 5878<br>5868 / 5888<br>9080<br><br>                  | 05.FKW-FSW45/M12 |

# Connection technology

## M12 connection technology Connectors, self-assembly

| Accessories  |   |  | Order no.                       |
|--|---|--|---------------------------------|
| <p><b>T-junction</b><br/><b>A coded, 5 pin</b></p> <p>Housing: metal / plastic, IP67</p>            | <p>2 x female connector with coupling nut<br/>1 x male connector with external thread</p>  | <p>suitable for:<br/>M12 connectors</p> <p><b>DeviceNet.</b></p> | <p><b>05.FKM5-FKM5-FSM5</b></p> |
| <p><b>T-junction, shielded</b><br/><b>A coded, 5 pin</b></p> <p>Housing: metal / plastic, IP67</p>  | <p>2 x female connector with coupling nut<br/>1 x male connector with external thread</p>  | <p>suitable for:<br/>M12 connectors</p> <p><b>CANopen</b></p>    |                                 |



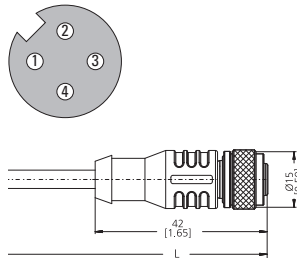
# Connection technology

## M12 connection technology Cordsets, pre-assembled

With connector, 4 pin Working temp. -30°C ... +80°C [-22°F ... +176°F] Order no.

**Female connector with coupling nut + single-ended**  
**A coded, straight power supply**

Cable: PUR, 4 x 0.34 mm<sup>2</sup> [AWG22]  
 Housing: metal / plastic, IP67



Terminal assignment

|                      |    |    |    |    |
|----------------------|----|----|----|----|
| Pin female contacts: | 1  | 2  | 3  | 4  |
| Core color:          | BN | WH | BU | BK |

suitable for our series:

EMIO.SIO.10xP

5858 / 5878 5868 / 5888  
 F5858 / F5878 F5868 / F5888  
 9080  
 H120

cable length <sup>1)</sup>

standard cable length 2 m [6.56']  
 (available from 1 piece) 5 m [16.40']  
 10 m [32.81']  
 15 m [49.21']

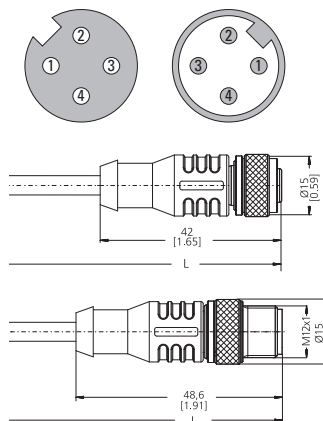
**05.00.6061.6211.002M**  
**05.00.6061.6211.005M**  
**05.00.6061.6211.010M**  
**05.00.6061.6211.015M**

other cable lengths  
 (minimum order quantity 4 pieces)

**05.00.6061.6211.0xxM**  
 xx = length in meters:  
 1, 3, 8, 12, 20, 25, 30

**Female connector with coupling nut + male connector with external thread**  
**A coded, straight power supply**

Cable: PUR, 4 x 0.34 mm<sup>2</sup> [AWG22]  
 Housing: metal / plastic, IP67



suitable for our series:

EMIO.SIO.10xP

5858 / 5878 5868 / 5888  
 9080

cable length <sup>1)</sup>

standard cable length 2 m [6.56']  
 (available from 1 piece) 5 m [16.40']  
 10 m [32.81']  
 15 m [49.21']

**05.00.6061.6462.002M**  
**05.00.6061.6462.005M**  
**05.00.6061.6462.010M**  
**05.00.6061.6462.015M**

other cable lengths  
 (minimum order quantity 4 pieces)




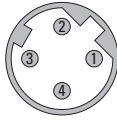
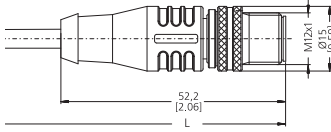
**05.00.6061.6462.0xxM**  
 xx = length in meters:  
 1, 3, 8, 12, 20, 25, 30


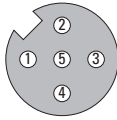
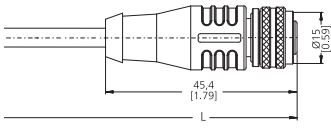
1) Other cable lengths on request.

# Connection technology

## M12 connection technology

## Cordsets, pre-assembled

| With connector, 4 pin   |    | Working temp. -30°C ... +80°C [-22°F ... +176°F]   | Order no. |    |   |   |             |    |    |    |    |  |  |
|---|----|--|-----------|----|---|---|-------------|----|----|----|----|--|--|
| <b>Male connector with external thread</b><br><b>single-ended</b><br><b>D coded, straight</b><br>Cable: PUR, 2 x 2 x 0.34 mm <sup>2</sup> [AWG22]<br>Housing: metal / plastic, IP67                                       |    | suitable for our series:<br><br>5858 / 5878      5868 / 5888<br>F5858 / F5878    F5868 / F5888<br><br><br>Conformance tested<br><br><br><br><b>EtherNet/IP</b> |           |    |   |   |             |    |    |    |    |  |  |
|    |    | Port A (1) and B (2)<br><br>   |           |    |   |   |             |    |    |    |    |  |  |
| <b>Terminal assignment</b> <table border="1"> <tr> <td>Pin male contacts:</td> <td>1</td> <td>2</td> <td>3</td> <td>4</td> </tr> <tr> <td>Core color:</td> <td>YE</td> <td>OG</td> <td>WH</td> <td>BU</td> </tr> </table> |    | Pin male contacts:   | 1         | 2  | 3 | 4 | Core color: | YE | OG | WH | BU | cable length <sup>1)</sup><br>standard cable length    2 m [6.56']<br>(available from 1 piece)    5 m [16.40']<br>10 m [32.81']<br>15 m [49.21']<br><br>other cable lengths<br>(minimum order quantity 4 pieces) | <b>05.00.6031.4411.002M</b><br><b>05.00.6031.4411.005M</b><br><b>05.00.6031.4411.010M</b><br><b>05.00.6031.4411.015M</b><br><br><b>05.00.6031.4411.0xxM</b><br>xx = length in meters:<br>1, 3, 8, 12, 20, 25, 30 |
| Pin male contacts:  | 1  | 2  | 3         | 4  |   |   |             |    |    |    |    |  |  |
| Core color:   | YE | OG   | WH        | BU |   |   |             |    |    |    |    |  |  |

| With connector, 5 pin  |    | Working temp. -30°C ... +80°C [-22°F ... +176°F]   | Order no. |    |    |                  |   |                  |             |    |    |    |    |    |                  |  |  |
|--|----|--|-----------|----|----|------------------|---|------------------|-------------|----|----|----|----|----|------------------|--|--|
| <b>Female connector with coupling nut +</b><br><b>single-ended</b><br><b>A coded, straight</b><br>Cable: PVC, 5 x 0.25 mm <sup>2</sup> [AWG23]<br>Housing: metal / plastic, IP67   |    | suitable for our series:<br><br>M3661 / M3681    M3661R<br>M5861<br><br>A50, B80, C120, D135<br>IS40   |           |    |    |                  |   |                  |             |    |    |    |    |    |                  |  |  |
|   |    | Port A (1) and B (2)<br><br> |           |    |    |                  |   |                  |             |    |    |    |    |    |                  |  |  |
| <b>Terminal assignment</b> <table border="1"> <tr> <td>Pin female contacts:</td> <td>1</td> <td>2</td> <td>3</td> <td>4</td> <td>5</td> <td>PH <sup>2)</sup></td> </tr> <tr> <td>Core color:</td> <td>BN</td> <td>WH</td> <td>BU</td> <td>BK</td> <td>GY</td> <td>PH <sup>2)</sup></td> </tr> </table> |    | Pin female contacts:   | 1         | 2  | 3  | 4                | 5 | PH <sup>2)</sup> | Core color: | BN | WH | BU | BK | GY | PH <sup>2)</sup> | cable length <sup>1)</sup><br>standard cable length    2 m [6.56']<br>(available from 1 piece)    5 m [16.40']<br>10 m [32.81']<br>15 m [49.21']<br><br>other cable lengths<br>(minimum order quantity 4 pieces) | <b>05.00.6081.2211.002M</b><br><b>05.00.6081.2211.005M</b><br><b>05.00.6081.2211.010M</b><br><b>05.00.6081.2211.015M</b><br><br><b>05.00.6081.2211.0xxM</b><br>xx = length in meters:<br>1, 3, 8, 12, 20, 25, 30 |
| Pin female contacts:   | 1  | 2  | 3         | 4  | 5  | PH <sup>2)</sup> |   |                  |             |    |    |    |    |    |                  |  |  |
| Core color:  | BN | WH   | BU        | BK | GY | PH <sup>2)</sup> |   |                  |             |    |    |    |    |    |                  |  |  |

1) Other cable lengths on request.

# Connection technology

## M12 connection technology Cordsets, pre-assembled

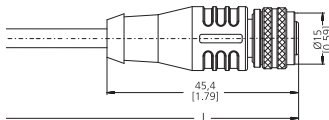
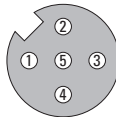
With connector, 5 pin Working temp. -30°C ... +80°C [-22°F ... +176°F] Order no.

**Female connector with coupling nut + single-ended**  
**A coded, straight**

Cable: PUR, 4 x 0.34 mm<sup>2</sup> [AWG22]  
 Housing: metal / plastic, IP67



Bus-in



suitable for our series:

9080  
 IS60, IN88

**DeviceNet**

Terminal assignment

|                      |      |    |    |    |    |
|----------------------|------|----|----|----|----|
| Pin female contacts: | 1    | 2  | 3  | 4  | 5  |
| Core color:          | ± 3) | RD | BK | WH | BU |

cable length <sup>1)</sup>

standard cable length 2 m [6.56']  
 (available from 1 piece) 5 m [16.40']  
 10 m [32.81']  
 15 m [49.21']

**05.00.6021.2211.002M**  
**05.00.6021.2211.005M**  
**05.00.6021.2211.010M**  
**05.00.6021.2211.015M**

other cable lengths  
 (minimum order quantity 4 pieces)

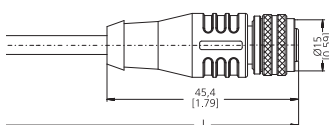
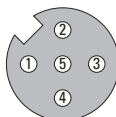
**05.00.6021.2211.0xxM**  
 xx = length in meters:  
 1, 3, 8, 12, 20, 25, 30

**Female connector with coupling nut + single-ended**  
**A coded, straight**

Cable: PVC, 3 x 2 x 0.25 mm<sup>2</sup>  
 Housing: metal / plastic, IP67



Bus-in



suitable for our series:

M3658 / M3678 M3668 / M3688  
 M3668R F5868 / F5888  
 5858 / 5878 5868 / 5888  
 M5868 9080

**CANopen**

Terminal assignment

|                      |    |    |    |    |    |       |
|----------------------|----|----|----|----|----|-------|
| Pin female contacts: | 1  | 2  | 3  | 4  | 5  | PH 2) |
| Core color:          | GY | BN | WH | GN | YE | PH 2) |

cable length <sup>1)</sup>

standard cable length 2 m [6.56']  
 (available from 1 piece) 5 m [16.40']  
 10 m [32.81']  
 15 m [49.21']

**05.00.6091.A211.002M**  
**05.00.6091.A211.005M**  
**05.00.6091.A211.010M**  
**05.00.6091.A211.015M**

other cable lengths  
 (minimum order quantity 4 pieces)

**05.00.6091.A211.0xxM**  
 xx = length in meters:  
 1, 3, 8, 12, 20, 25, 30

1) Other cable lengths on request.  
 2) Shield on housing.  
 3) Shield with pin 1.

# Connection technology

## M12 connection technology Cordsets, pre-assembled

With connector, 5 pin

Working temp. -30°C ... +80°C [-22°F ... +176°F]

Order no.

**Male connector with external thread + single-ended**  
**A coded, straight**

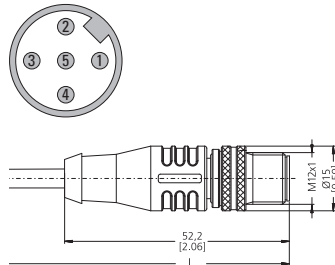
Cable: PUR, 4 x 0.34 mm<sup>2</sup> [AWG22]  
Housing: metal / plastic, IP67



Terminal assignment

|                    |      |    |    |    |    |
|--------------------|------|----|----|----|----|
| Pin male contacts: | 1    | 2  | 3  | 4  | 5  |
| Core color:        | ⊥ 3) | RD | BK | WH | BU |

Bus out



suitable for our series:

9080  
IS60, IN88

**DeviceNet**

cable length <sup>1)</sup>

standard cable length 2 m [6.56']  
(available from 1 piece) 5 m [16.40']  
10 m [32.81']  
15 m [49.21']

**05.00.6021.2411.002M**  
**05.00.6021.2411.005M**  
**05.00.6021.2411.010M**  
**05.00.6021.2411.015M**

other cable lengths  
(minimum order quantity 4 pieces)

**05.00.6021.2411.0xxM**  
xx = length in meters:  
1, 3, 8, 12, 20, 25, 30

**Male connector with external thread + single-ended**  
**A coded, straight**

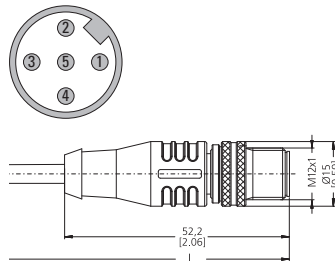
Cable: PVC, 3 x 2 x 0.25 mm<sup>2</sup> [AWG23]  
Housing: metal / plastic, IP67



Terminal assignment

|                    |    |    |    |    |    |                  |
|--------------------|----|----|----|----|----|------------------|
| Pin male contacts: | 1  | 2  | 3  | 4  | 5  | PH <sup>2)</sup> |
| Core color:        | GY | BN | WH | GN | YE | PH <sup>2)</sup> |

Bus out



suitable for our series:

EMIO.SIO.10xP  
M3658 / M3678 F5868 / F5888  
5858 / 5878 5868 / 5888  
9080

**CANopen**

cable length <sup>1)</sup>

standard cable length 2 m [6.56']  
(available from 1 piece) 5 m [16.40']  
10 m [32.81']  
15 m [49.21']

**05.00.6091.A411.002M**  
**05.00.6091.A411.005M**  
**05.00.6091.A411.010M**  
**05.00.6091.A411.015M**

other cable lengths  
(minimum order quantity 4 pieces)

**05.00.6091.A411.0xxM**  
xx = length in meters:  
1, 3, 8, 12, 20, 25, 30

1) Other cable lengths on request.  
2) Shield on housing.  
3) Shield with pin 1.

# Connection technology

## M12 connection technology Cordsets, pre-assembled

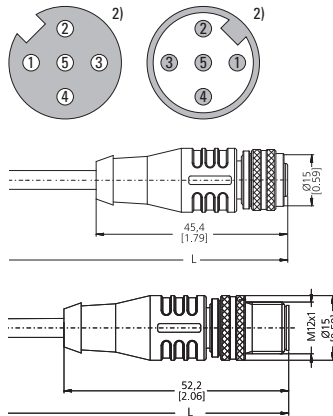
With connector, 5 pin Working temp. -30°C ... +80°C [-22°F ... +176°F] Order no.

**Female connector with coupling nut + male connector with external thread A coded, straight**

Cable: PUR, 4 x 0.34 mm<sup>2</sup> [AWG22]  
Housing: metal / plastic, IP67



Bus in / out



suitable for our series:

EMIO.SIO.10xP  
M3658 / M3678 F5868 / F5888  
5858 / 5878 5868 / 5888  
9080  
IN88 IS60

**CANopen**  
**DeviceNet**

*cable length <sup>1)</sup>*

standard cable length 2 m [6.56']  
(available from 1 piece) 5 m [16.40']  
10 m [32.81']  
15 m [49.21']

**05.00.6021.2422.002M**  
**05.00.6021.2422.005M**  
**05.00.6021.2422.010M**  
**05.00.6021.2422.015M**

other cable lengths  
(minimum order quantity 4 pieces)

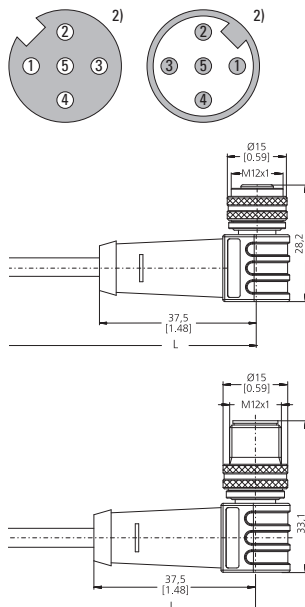
**05.00.6021.2422.0xxM**  
xx = length in meters:  
1, 3, 8, 12, 20, 25, 30

**Female connector with coupling nut + male connector with external thread A coded, right-angle**

Cable: PUR, 4 x 0.34 mm<sup>2</sup> [AWG22]  
Housing: metal / plastic, IP67



Bus in / out



suitable for our series:

EMIO.SIO.10xP  
M3658 / M3678 F5868 / F5888  
5858 / 5878 5868 / 5888  
9080  
IN88 IS60

**CANopen**  
**DeviceNet**

*cable length <sup>1)</sup>*

standard cable length 2 m [6.56']  
(available from 1 piece) 5 m [16.40']  
10 m [32.81']  
15 m [49.21']

**05.00.6021.2523.002M**  
**05.00.6021.2523.005M**  
**05.00.6021.2523.010M**  
**05.00.6021.2523.015M**

other cable lengths  
(minimum order quantity 4 pieces)

**05.00.6021.2523.0xxM**  
xx = length in meters:  
1, 3, 8, 12, 20, 25, 30

1) Other cable lengths on request.  
2) Shield on housing.

# Connection technology

## M12 connection technology

## Cordsets, pre-assembled

### With connector, 5 pin

Working temp. -30°C ... +80°C [-22°F ... +176°F]

Order no.

#### Female connector with coupling nut + single-ended A coded, straight

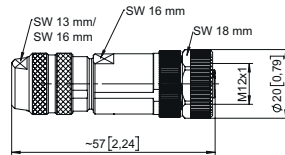
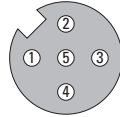
Cable: PVC, 3 x 2 x 0,25 mm<sup>2</sup>  
Housing: metal, IP67



#### Terminal assignment

|                      |    |    |    |    |    |       |
|----------------------|----|----|----|----|----|-------|
| Pin female contacts: | 1  | 2  | 3  | 4  | 5  | PH 2) |
| Wire color:          | GY | BN | WH | GN | YE | ⊥     |

#### Bus in



suitable for our series:

M3658 / M3678  
5858 / 5878  
5868 / 5888

CANopen

#### cable length <sup>1)</sup>

standard cable length 2 m [6.56']  
(available from 1 piece) 5 m [16.40']  
10 m [32.81']  
15 m [49.21']

**8.0000.6V81.0002**  
**8.0000.6V81.0005**  
**8.0000.6V81.0010**  
**8.0000.6V81.0015**

other cable lengths  
(minimum order quantity 4 pieces)

**8.0000.6V81.00xx**  
xx = length in meters:  
1, 3, 8, 12, 20, 25, 30

#### Male connector with external thread + single-ended A coded, straight

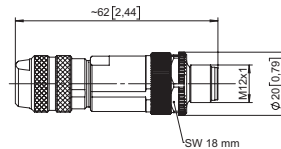
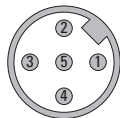
Cable: PVC, 3 x 2 x 0,25 mm<sup>2</sup>  
Housing: metal, IP67



#### Terminal assignment

|                    |    |    |    |    |    |       |
|--------------------|----|----|----|----|----|-------|
| Pin male contacts: | 1  | 2  | 3  | 4  | 5  | PH 2) |
| Core color:        | GY | BN | WH | GN | YE | ⊥     |

#### Bus out



suitable for our series:

M3658 / M3678  
5858 / 5878  
5868 / 5888

CANopen

#### cable length <sup>1)</sup>

standard cable length 2 m [6.56']  
(available from 1 piece) 5 m [16.40']  
10 m [32.81']  
15 m [49.21']

**8.0000.6V88.0002**  
**8.0000.6V88.0005**  
**8.0000.6V88.0010**  
**8.0000.6V88.0015**

other cable lengths  
(minimum order quantity 4 pieces)

**8.0000.6V88.00xx**  
xx = length in meters:  
1, 3, 8, 12, 20, 25, 30

1) Other cable lengths on request.  
2) Shield on housing.

# Connection technology

## M12 connection technology Cordsets, pre-assembled

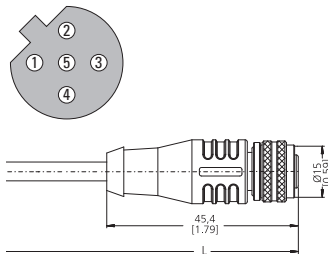
With connector, 5 pin Working temp. -30°C ... +80°C [-22°F ... +176°F] Order no.

**Female connector with coupling nut + single-ended B coded, straight**

Cable: PUR, 2 x 0.34 mm<sup>2</sup>  
Housing: metal / plastic, IP67



Bus-in



suitable for our series:

5858 / 5878  
5868 / 5888  
9080



Terminal assignment

|                      |      |    |      |    |      |                  |
|----------------------|------|----|------|----|------|------------------|
| Pin female contacts: | 1    | 2  | 3    | 4  | 5    | PH <sup>2)</sup> |
| Core color:          | n.c. | GN | n.c. | RD | n.c. | PH <sup>2)</sup> |

cable length<sup>1)</sup>

standard cable length 2 m [6.56']  
(available from 1 piece) 5 m [16.40']  
10 m [32.81']  
15 m [49.21']

**05.00.6011.3211.002M**  
**05.00.6011.3211.005M**  
**05.00.6011.3211.010M**  
**05.00.6011.3211.015M**

other cable lengths  
(minimum order quantity 4 pieces)

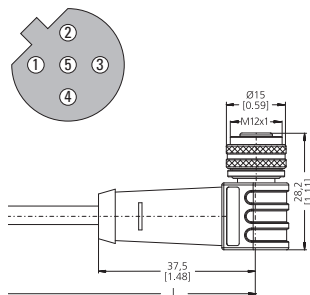
**05.00.6011.3211.0xxM**  
xx = length in meters:  
1, 3, 8, 12, 20, 25, 30

**Female connector with coupling nut + single-ended B coded, right-angle**

Cable: PUR, 2 x 0.34 mm<sup>2</sup> [AWG22]  
Housing: metal / plastic, IP67



Bus-in



suitable for our series:

5858 / 5878  
5868 / 5888  
9080



Terminal assignment

|                      |      |    |      |    |      |                  |
|----------------------|------|----|------|----|------|------------------|
| Pin female contacts: | 1    | 2  | 3    | 4  | 5    | PH <sup>2)</sup> |
| Core color:          | n.c. | GN | n.c. | RD | n.c. | PH <sup>2)</sup> |

cable length<sup>1)</sup>

standard cable length 2 m [6.56']  
(available from 1 piece) 5 m [16.40']  
10 m [32.81']  
15 m [49.21']

**05.00.6011.3311.002M**  
**05.00.6011.3311.005M**  
**05.00.6011.3311.010M**  
**05.00.6011.3311.015M**

other cable lengths  
(minimum order quantity 4 pieces)

**05.00.6011.3311.0xxM**  
xx = length in meters:  
1, 3, 8, 12, 20, 25, 30

1) Other cable lengths on request.  
2) Shield on housing.

# Connection technology

## M12 connection technology Cordsets, pre-assembled

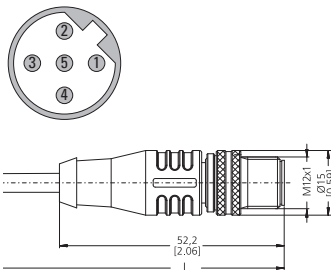
With connector, 5 pin Working temp. -30°C ... +80°C [-22°F ... +176°F] Order no.

**Male connector with external thread + single-ended**  
**B coded, straight**

Cable: PUR, 2 x 0.34 mm<sup>2</sup>  
 Housing: metal / plastic, IP67



Bus-out



suitable for our series:

5858 / 5878  
 5868 / 5888  
 9080



*cable length <sup>1)</sup>*

standard cable length 2 m [6.56']  
 (available from 1 piece) 5 m [16.40']  
 10 m [32.81']  
 15 m [49.21']

other cable lengths  
 (minimum order quantity 4 pieces)

**05.00.6011.3411.002M**  
**05.00.6011.3411.005M**  
**05.00.6011.3411.010M**  
**05.00.6011.3411.015M**

**05.00.6011.3411.0xxM**

xx = length in meters:  
 1, 3, 8, 12, 20, 25, 30

*Terminal assignment*

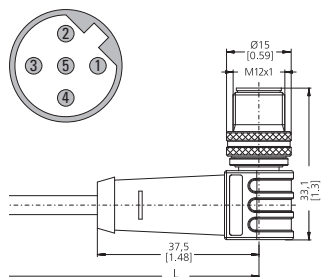
|                    |      |    |      |    |      |                  |
|--------------------|------|----|------|----|------|------------------|
| Pin male contacts: | 1    | 2  | 3    | 4  | 5    | PH <sup>2)</sup> |
| Core color:        | n.c. | GN | n.c. | RD | n.c. | PH <sup>2)</sup> |

**Male connector with external thread + single-ended**  
**B coded, right-angle**

Cable: PUR, 2 x 0.34 mm<sup>2</sup>  
 Housing: metal / plastic, IP67



Bus-out



suitable for our series:

5858 / 5878  
 5868 / 5888  
 9080



*cable length <sup>1)</sup>*

standard cable length 2 m [6.56']  
 (available from 1 piece) 5 m [16.40']  
 10 m [32.81']  
 15 m [49.21']

other cable lengths  
 (minimum order quantity 4 pieces)

**05.00.6011.3511.002M**  
**05.00.6011.3511.005M**  
**05.00.6011.3511.010M**  
**05.00.6011.3511.015M**

**05.00.6011.3511.0xxM**

xx = length in meters:  
 1, 3, 8, 12, 20, 25, 30

*Terminal assignment*

|                    |      |    |      |    |      |                  |
|--------------------|------|----|------|----|------|------------------|
| Pin male contacts: | 1    | 2  | 3    | 4  | 5    | PH <sup>2)</sup> |
| Core color:        | n.c. | GN | n.c. | RD | n.c. | PH <sup>2)</sup> |

1) Other cable lengths on request.  
 2) Shield on housing.



# Connection technology

## M12 connection technology Cordsets, pre-assembled

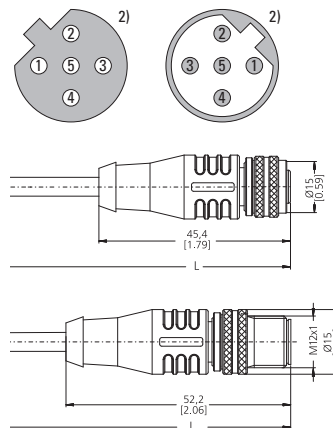
With connector, 5 pin Working temp. -30°C ... +80°C [-22°F ... +176°F] Order no.

**Female connector with coupling nut + male connector with external thread B coded, straight**

Cable: PUR, 2 x 0.34 mm<sup>2</sup>  
Housing: metal / plastic, IP67



Bus in / out



suitable for our series:

5858 / 5878  
5868 / 5888  
9080



*cable length <sup>1)</sup>*

standard cable length 2 m [6.56']  
(available from 1 piece) 5 m [16.40']  
10 m [32.81']  
15 m [49.21']

other cable lengths  
(minimum order quantity 4 pieces)

**05.00.6011.3432.002M**  
**05.00.6011.3432.005M**  
**05.00.6011.3432.010M**  
**05.00.6011.3432.015M**

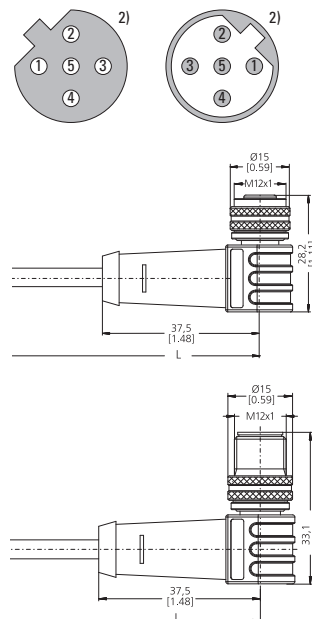
**05.00.6011.3432.0xxM**  
xx = length in meters:  
1, 3, 8, 12, 20, 25, 30

**Female connector with coupling nut + male connector with external thread B coded, right-angle**

Cable: PUR, 2 x 0.34 mm<sup>2</sup>  
Housing: metal / plastic, IP67



Bus in / out



suitable for our series:

5858 / 5878  
5868 / 5888  
9080



*cable length <sup>1)</sup>*

standard cable length 2 m [6.56']  
(available from 1 piece) 5 m [16.40']  
10 m [32.81']  
15 m [49.21']

other cable lengths  
(minimum order quantity 4 pieces)

**05.00.6011.3533.002M**  
**05.00.6011.3533.005M**  
**05.00.6011.3533.010M**  
**05.00.6011.3533.015M**

**05.00.6011.3533.0xxM**  
xx = length in meters:  
1, 3, 8, 12, 20, 25, 30

1) Other cable lengths on request.  
2) Shield on housing.

# Connection technology

## M12 connection technology

## Cordsets, pre-assembled

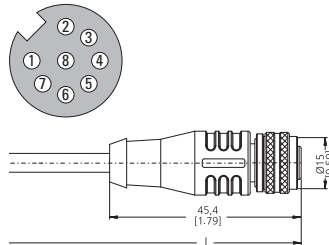
With connector, 8 pin

Working temp. -30°C ... +80°C [-22°F ... +176°F]

Order no.

**Female connector with coupling nut + single-ended**  
**A coded, straight**

Cable: PVC, 8 x 0.25 mm<sup>2</sup> [AWG23]  
Housing: metal / plastic, IP67



suitable for our series:

|               |                   |
|---------------|-------------------|
| 3610 / 3620   | KIS50 / KIH50     |
| 5000 / 5020   | 5006 / 5026       |
| 5814 / 5834   | 5814FSx / 5834FSx |
| 5821          | A020 / A02H       |
| F3653 / F3673 | 5853 / 5873       |
| 5876          |                   |
| M3663 / M3683 | M3663R / M3683R   |
| F3663 / F3683 | F5863 / F5883     |
| 5863 / 5883   | F5883M            |

Terminal assignment

|                      |    |    |    |    |    |    |    |    |                  |
|----------------------|----|----|----|----|----|----|----|----|------------------|
| Pin female contacts: | 1  | 2  | 3  | 4  | 5  | 6  | 7  | 8  | PH <sup>2)</sup> |
| Core color:          | WH | BN | GN | YE | GY | PK | BU | RD | PH <sup>2)</sup> |

cable length <sup>1)</sup>

|                          |               |
|--------------------------|---------------|
| standard cable length    | 2 m [6.56']   |
| (available from 1 piece) | 5 m [16.40']  |
|                          | 10 m [32.81'] |
|                          | 15 m [49.21'] |

**05.00.6041.8211.002M**  
**05.00.6041.8211.005M**  
**05.00.6041.8211.010M**  
**05.00.6041.8211.015M**

other cable lengths

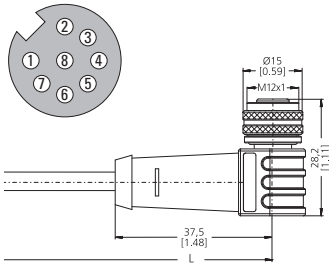
(minimum order quantity 4 pieces)

**05.00.6041.8211.0xxM**

xx = length in meters:  
1, 3, 8, 12, 20, 25, 30

**Female connector with coupling nut + single-ended**  
**A coded, right-angle**

Cable: PVC, 8 x 0.25 mm<sup>2</sup> [AWG23]  
Housing: metal / plastic, IP67



suitable for our series:

|               |                   |
|---------------|-------------------|
| 3610 / 3620   | 5000 / 5020       |
| 5814 / 5834   | 5814FSx / 5834FSx |
| 5006 / 5026   | 5821              |
| A020 / A02H   |                   |
| F3653 / F3673 | 5853 / 5873       |
| 5876          |                   |
| M3663 / M3683 | M3663R / M3683R   |
| F3663 / F3683 | F5863 / F5883     |
| 5863 / 5883   |                   |

Terminal assignment

|                      |    |    |    |    |    |    |    |    |                  |
|----------------------|----|----|----|----|----|----|----|----|------------------|
| Pin female contacts: | 1  | 2  | 3  | 4  | 5  | 6  | 7  | 8  | PH <sup>2)</sup> |
| Core color:          | WH | BN | GN | YE | GY | PK | BU | RD | PH <sup>2)</sup> |

cable length <sup>1)</sup>

|                          |               |
|--------------------------|---------------|
| standard cable length    | 2 m [6.56']   |
| (available from 1 piece) | 5 m [16.40']  |
|                          | 10 m [32.81'] |
|                          | 15 m [49.21'] |

**05.00.6041.8311.002M**  
**05.00.6041.8311.005M**  
**05.00.6041.8311.010M**  
**05.00.6041.8311.015M**

other cable lengths

(minimum order quantity 4 pieces)

**05.00.6041.8311.0xxM**

xx = length in meters:  
1, 3, 8, 12, 20, 25, 30

1) Other cable lengths on request.  
2) Shield on housing.

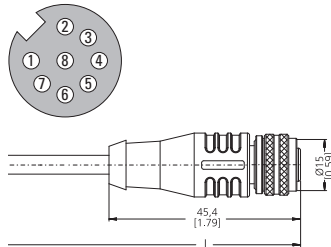
# Connection technology

## M12 connection technology Cordsets, pre-assembled

With connector, 8 pin Working temp. -30°C ... +80°C [-22°F ... +176°F] Order no.

**Female connector with coupling nut + single-ended**  
**A coded, straight**

Cable: PUR, 8 x 0.25 mm<sup>2</sup> [AWG23]  
 Housing: metal / plastic, IP67



suitable for our series:

- 3610 / 3620      5000 / 5020
- 5814 / 5834      5814FSx / 5834FSx
- 5006 / 5026      5821
- A020 / A02H
- F3653 / F3673
- 5853 / 5873
- M3663 / M3683    M3663R / M3683R
- F3663 / F3683    F5863 / F5883
- 5863 / 5883      M5863
- 5876

Terminal assignment

|                      |    |    |    |    |    |    |    |    |                  |
|----------------------|----|----|----|----|----|----|----|----|------------------|
| Pin female contacts: | 1  | 2  | 3  | 4  | 5  | 6  | 7  | 8  | PH <sup>2)</sup> |
| Core color:          | WH | BN | GN | YE | GY | PK | BU | RD | PH <sup>2)</sup> |

cable length <sup>1)</sup>

- standard cable length    2 m [6.56']
- (available from 1 piece)    5 m [16.40']
- 10 m [32.81']
- 15 m [49.21']

- 05.00.6051.8211.002M**
- 05.00.6051.8211.005M**
- 05.00.6051.8211.010M**
- 05.00.6051.8211.015M**

other cable lengths  
 (minimum order quantity 4 pieces)

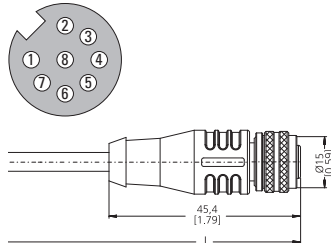
**05.00.6051.8211.0xxM**  
 xx = length in meters:  
 1, 3, 8, 12, 20, 25, 30

**Female connector with coupling nut + single-ended**  
**A coded, straight**

Cable: PUR, 4 x 2 x 0,25 mm<sup>2</sup> [AWG23]  
 Housing: metal / plastic, IP67



**Twisted-pair cables - for particularly interference-free transmission**



suitable for our series with RS422, RS485 or SinCos output:

- 3610 / 3620      5000 / 5020
- 5814 / 5834      5814FSx / 5834FSx
- 5006 / 5026      5821
- A020 / A02H
- F3653 / F3673
- 5853 / 5873
- M3663 / M3683    M3663R / M3683R
- F3663 / F3683    F5863 / F5883
- 5863 / 5883      5876

Terminal assignment

|                      |    |    |    |    |    |    |    |    |                  |
|----------------------|----|----|----|----|----|----|----|----|------------------|
| Pin female contacts: | 1  | 2  | 3  | 4  | 5  | 6  | 7  | 8  | PH <sup>2)</sup> |
| Core color:          | WH | BN | GN | YE | GY | PK | BU | RD | PH <sup>2)</sup> |

cable length <sup>1)</sup>

- standard cable length    2 m [6.56']
- (available from 1 piece)    5 m [16.40']
- 10 m [32.81']
- 15 m [49.21']

- 05.00.60E1.8211.002M**
- 05.00.60E1.8211.005M**
- 05.00.60E1.8211.010M**
- 05.00.60E1.8211.015M**

other cable lengths  
 (minimum order quantity 4 pieces)

**05.00.60E1.8211.0xxM**  
 xx = length in meters:  
 1, 3, 8, 12, 20, 25, 30

1) Other cable lengths on request.  
 2) Shield on housing.

## M12 connection technology

## Cordsets, pre-assembled

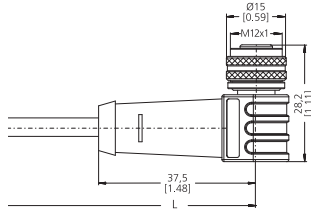
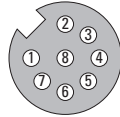
With connector, 8 pin

Working temp. -30°C ... +80°C [-22°F ... +176°F]

Order no.

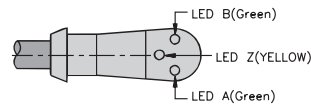
**Female connector with coupling nut + single-ended**  
**A coded, right-angle**  
**with integrated control LEDs**

Cable: PVC, 8 x 0.25 mm<sup>2</sup> [AWG23]  
 Housing: metal / plastic, IP67



suitable for our series:

|             |      |
|-------------|------|
| 3610 / 3620 | 5006 |
| 5000 / 5020 | 5821 |
| A020        | A02H |



Terminal assignment

|                      |    |    |    |    |    |    |    |    |                  |
|----------------------|----|----|----|----|----|----|----|----|------------------|
| Pin female contacts: | 1  | 2  | 3  | 4  | 5  | 6  | 7  | 8  | PH <sup>2)</sup> |
| Core color:          | WH | BN | YE | GN | PK | GY | RD | BU | PH <sup>2)</sup> |

cable length<sup>1)</sup>

2 m [6.56']  
 5 m [16.40']  
 10 m [32.81']  
 15 m [49.21']

**05.E-WKC 8T-PX3-930-0002**  
**05.E-WKC 8T-PX3-930-0005**  
**05.E-WKC 8T-PX3-930-0010**  
**05.E-WKC 8T-PX3-930-0015**

1) Other cable lengths on request.  
 2) Shield on housing.

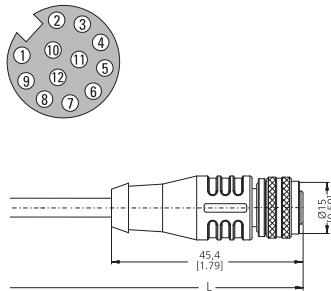
# Connection technology

## M12 connection technology Cordsets, pre-assembled

With connector, 12 pin Working temp. -30°C ... +90°C [-22°F ... +194°F] Order no.

**Female connector with coupling nut + single-ended**  
**A coded, straight**

Cable: PUR, 6 x 2 x 0.14 mm<sup>2</sup>  
 Housing: metal / plastic, IP67



suitable for our series:

LA10

*Terminal assignment*

|                      |    |    |    |    |    |    |    |    |    |    |       |       |       |
|----------------------|----|----|----|----|----|----|----|----|----|----|-------|-------|-------|
| Pin female contacts: | 1  | 2  | 3  | 4  | 5  | 6  | 7  | 8  | 9  | 10 | 11    | 12    | PH 2) |
| Core color:          | WH | BN | GN | YE | GY | PK | BU | RD | BK | VT | GY/PK | RD/BU | PH 2) |

*cable length <sup>1)</sup>*

|                          |               |
|--------------------------|---------------|
| standard cable length    | 2 m [6.56']   |
| (available from 1 piece) | 5 m [16.40']  |
|                          | 10 m [32.81'] |
|                          | 15 m [49.21'] |

- 05.00.60B1.B211.002M**
- 05.00.60B1.B211.005M**
- 05.00.60B1.B211.010M**
- 05.00.60B1.B211.015M**

other cable lengths  
 (minimum order quantity 4 pieces)

**05.00.60B1.B211.0xxM**

xx = length in meters:  
 1, 3, 8, 12, 20, 25, 30

1) Other cable lengths on request.  
 2) Shield on housing.