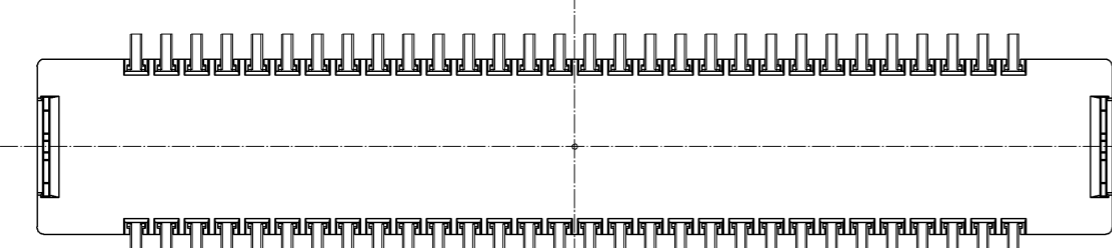
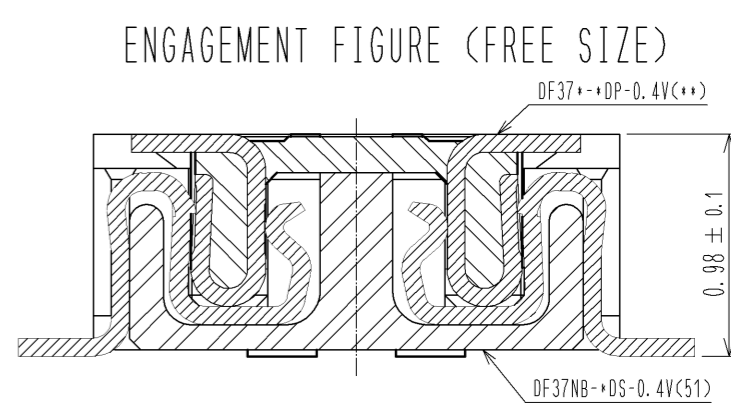
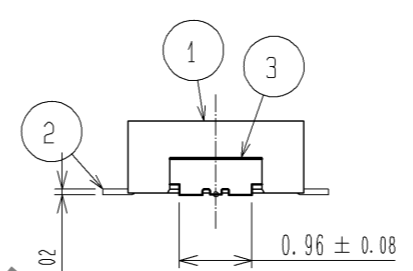
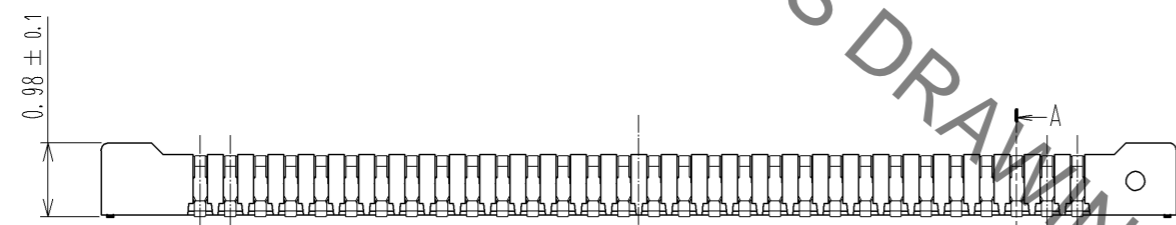
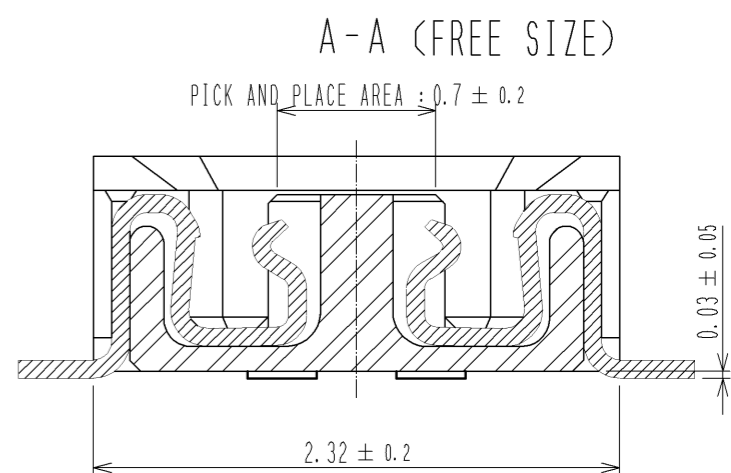
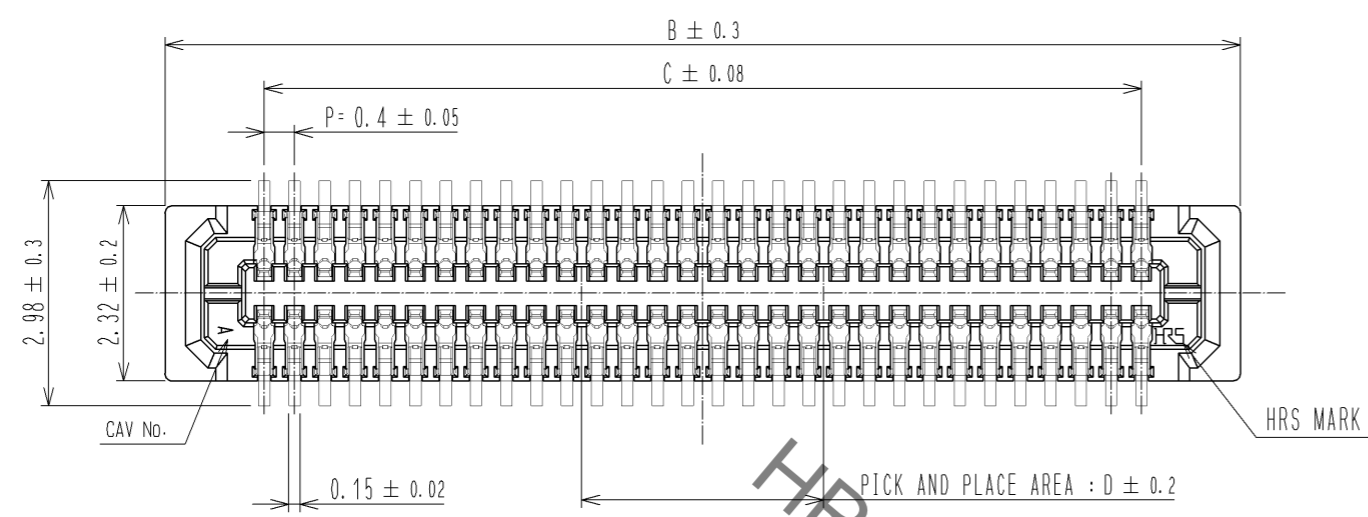


Jan.1.2021 Copyright 2021 HIROSE ELECTRIC CO., LTD. All Rights Reserved.  
 In case of consideration for using Automotive equipment / device which demand high reliability, kindly contact our sales window correspondents.



NOTE 1. ALL LEADS CO-PLANARITY SHALL BE 0.1mm MAX.

② CONTACT PLATING SPECIFICATIONS.  
 CONTACT AREA : GOLD 0.05 μm MIN.  
 SMT LEAD : GOLD 0.05 μm MIN.  
 UNDERPLATING : NICKEL 1 μm MIN.  
 (SURFACE : SEALING)

③ METAL HOLD DOWN PLATING SPECIFICATIONS.  
 MOUNTING AREA: GOLD 0.05 μm MIN.  
 UNDERPLATING : NICKEL 1 μm MIN.

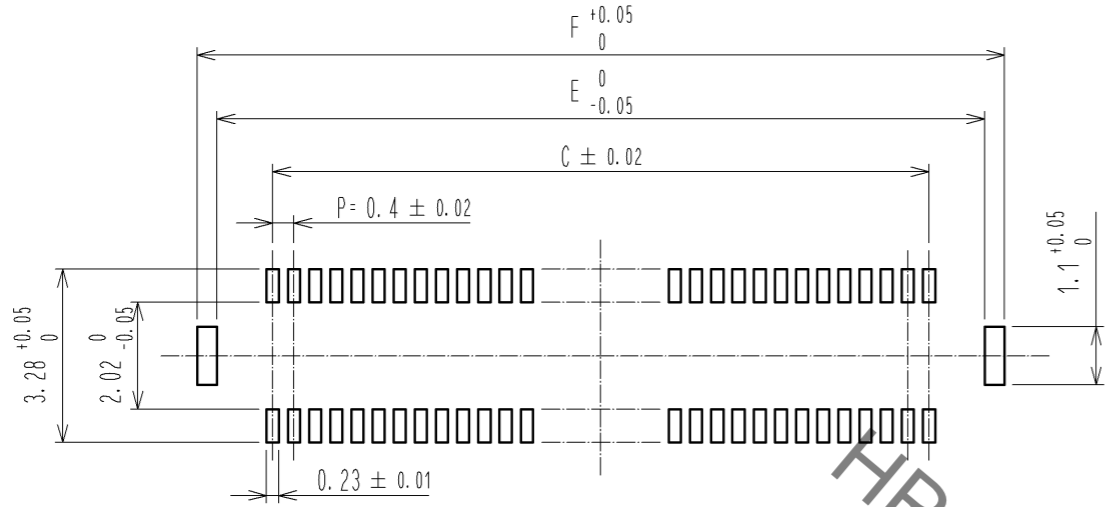
HRS DRAWING FOR REFERENCE

PART No.	CL No.	B	C	D
DF37NB-10DS-0.4V(51)	CL684-3301-6-51	4.22	1.6	0.8
DF37NB-16DS-0.4V(51)	CL684-3302-9-51	5.42	2.8	1.2
DF37NB-20DS-0.4V(51)	CL684-3303-1-51	6.22	3.6	1.6
DF37NB-24DS-0.4V(51)	CL684-3304-4-51	7.02	4.4	2.0
DF37NB-30DS-0.4V(51)	CL684-3305-7-51	8.22	5.6	2.0
DF37NB-34DS-0.4V(51)	CL684-3082-4-51	9.02	6.4	2.4
DF37NB-40DS-0.4V(51)	CL684-3306-0-51	10.22	7.6	2.4
DF37NB-44DS-0.4V(51)	CL684-3407-7-51	11.02	8.4	2.8
DF37NB-50DS-0.4V(51)	CL684-3307-2-51	12.22	9.6	2.8
DF37NB-60DS-0.4V(51)	CL684-3308-5-51	14.22	11.6	3.2
DF37NB-70DS-0.4V(51)	CL684-3409-2-51	16.22	13.6	3.6
DF37NB-74DS-0.4V(51)	CL684-3080-9-51	17.02	14.4	4.0

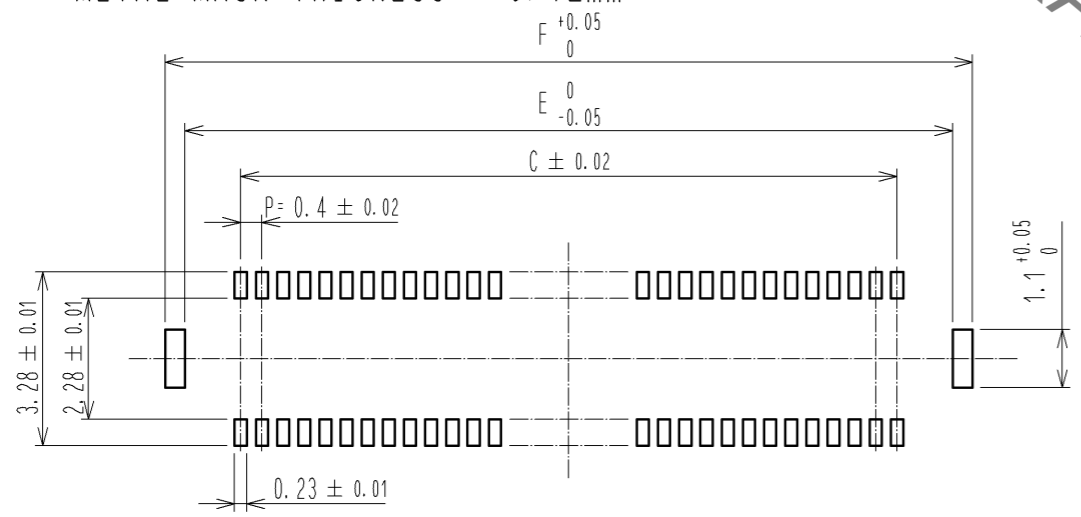
3	PHOSPHOR BRONZE	③	6	PS	PLASTIC REEL (BLACK)			
2	PHOSPHOR BRONZE	②	5	POLYESTER	CLEAR (COVER TAPE)			
1	LCP	UL94V-0, BLACK	4	PS	CLEAR (EMBOSSED CARRIER TAPE)			
NO.	MATERIAL	FINISH, REMARKS	NO.	MATERIAL	FINISH, REMARKS			
UNITS	mm	SCALE	FREE	COUNT	DESCRIPTION OF REVISIONS	DESIGNED	CHECKED	DATE
				3	DIS-H-005494	KR. AJITO	TS. MIYAZAKI	11.02.04
HIROSE ELECTRIC CO., LTD.		APPROVED	: KH. IKEDA	09.10.23	DRAWING NO. EDC3-319685-02 PART NO. DF37NB-*DS-0.4V(51) CODE NO.			
		CHECKED	: TS. MIYAZAKI	09.10.23				
		DESIGNED	: RT. SHIMIZU	09.10.23				
		DRAWN	: YN. SAKAMOTO	09.10.20				

Jan.1.2021 Copyright 2021 HIROSE ELECTRIC CO., LTD. All Rights Reserved.  
In case of consideration for using Automotive equipment / device which demand high reliability, kindly contact our sales window correspondents.

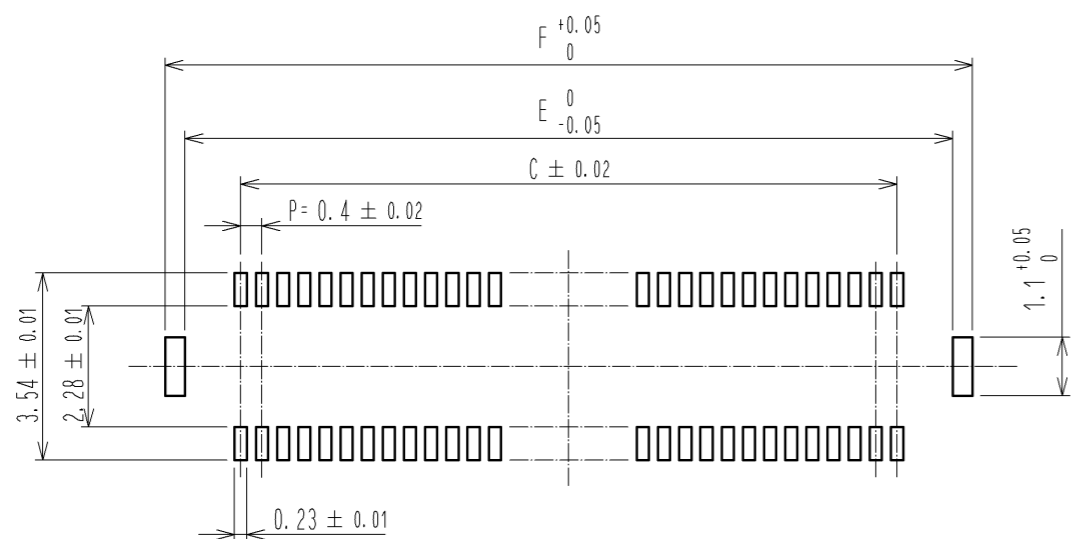
◆ RECOMMENDED PCB LAYOUT (MOUNTING SURFACE SIDE)



◆ RECOMMENDED METAL MASK DIMENSIONS  
METAL MASK THICKNESS : 0.12mm



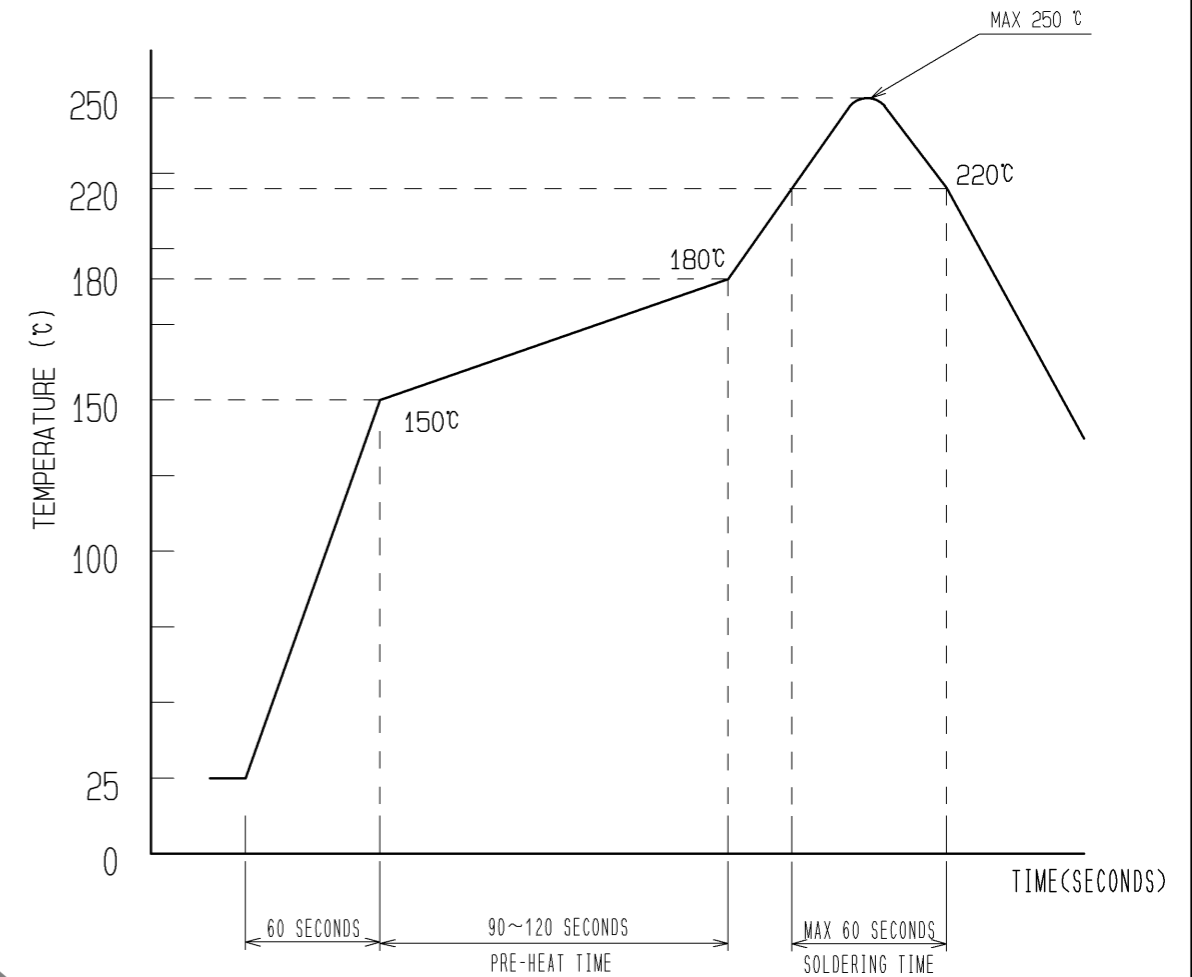
◆ RECOMMENDED METAL MASK DIMENSIONS  
METAL MASK THICKNESS : 0.1mm



HRS DRAWING FOR REFERENCE

PART No.	C	E	F
DF37NB-10DS-0.4V(51)	1.6	3.7	4.46
DF37NB-16DS-0.4V(51)	2.8	4.9	5.66
DF37NB-20DS-0.4V(51)	3.6	5.7	6.46
DF37NB-24DS-0.4V(51)	4.4	6.5	7.26
DF37NB-30DS-0.4V(51)	5.6	7.7	8.46
DF37NB-34DS-0.4V(51)	6.4	8.5	9.26
DF37NB-40DS-0.4V(51)	7.6	9.7	10.46
DF37NB-44DS-0.4V(51)	8.4	10.5	11.26
DF37NB-50DS-0.4V(51)	9.6	11.7	12.46
DF37NB-60DS-0.4V(51)	11.6	13.7	14.46
DF37NB-70DS-0.4V(51)	13.6	15.7	16.46
DF37NB-74DS-0.4V(51)	14.4	16.5	17.26

4 RECOMMENDED REFLOW TEMPERATURE PROFILE USING LEAD-FREE SOLDER PASTE.



- REFLOW TIME  
REFLOW METHOD: IR REFLOW  
NUMBER OF REFLOW CYCLES: 2 CYCLES MAX.  
DURATION ABOVE 220 °C: 60 SEC. MAX.  
(PEAK TEMPERATURE: 250°C MAX.)
- PRE-HEAT TIME  
PRE-HEAT TEMPERATURE(MIN) : 150 °C  
PRE-HEAT TEMPERATURE(MAX) : 180 °C  
PRE-HEAT TIME : 90~120 sec.

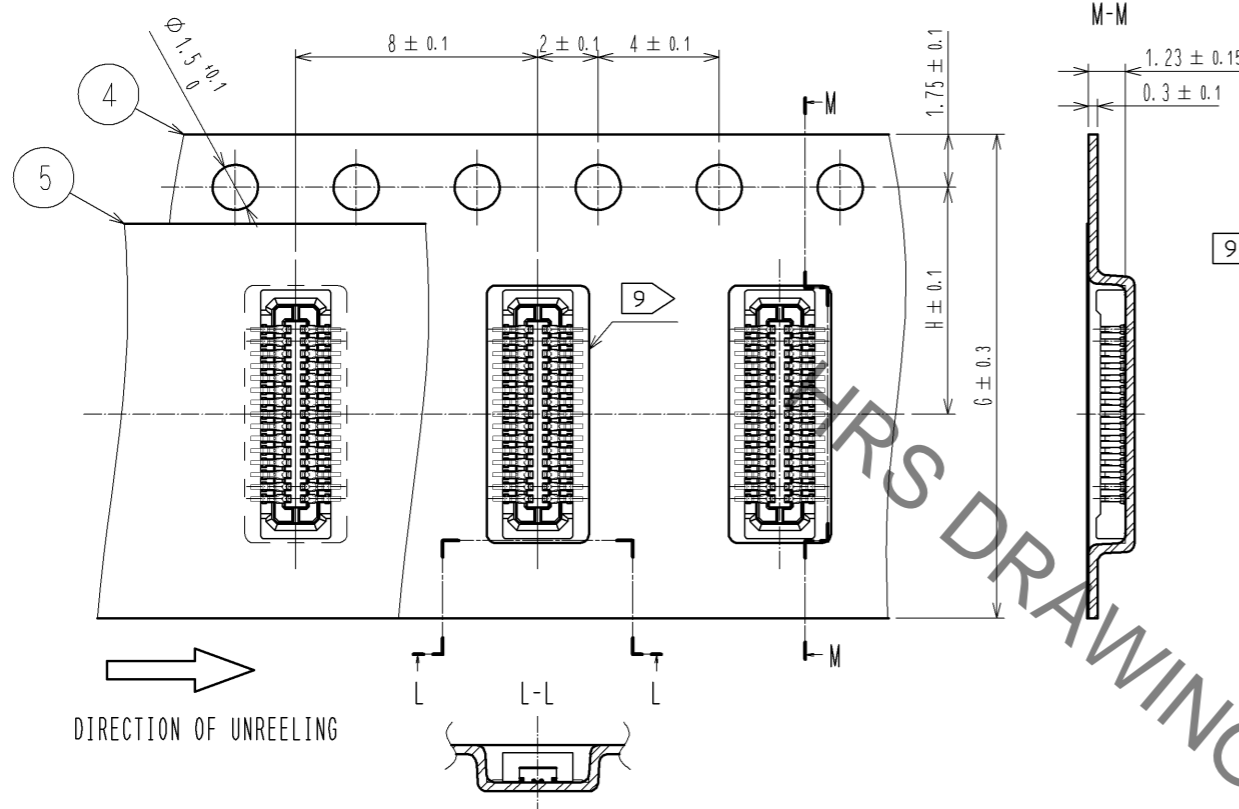
4 THIS TEMPERATURE PROFILE IS PER THE CONDITIONS SHOWN ABOVE. ADDITIONAL FACTORS, SUCH AS SOLDER PASTE TYPE, PCB SIZE AND OTHER MOUNTED COMPONENTS COULD AFFECT THE PROFILE. THEREFORE, A THOROUGH EVALUATION OF MOUNTING CONDITION IS REQUIRED PRIOR TO PRODUCTION. TEMPERATURE IS MEASURED AT CONTACT LEAD.

<b>HRS</b>	DRAWING NO.	EDC3-319685-02
	PART NO.	DF37NB-*DS-0.4V(51)
	CODE NO.	

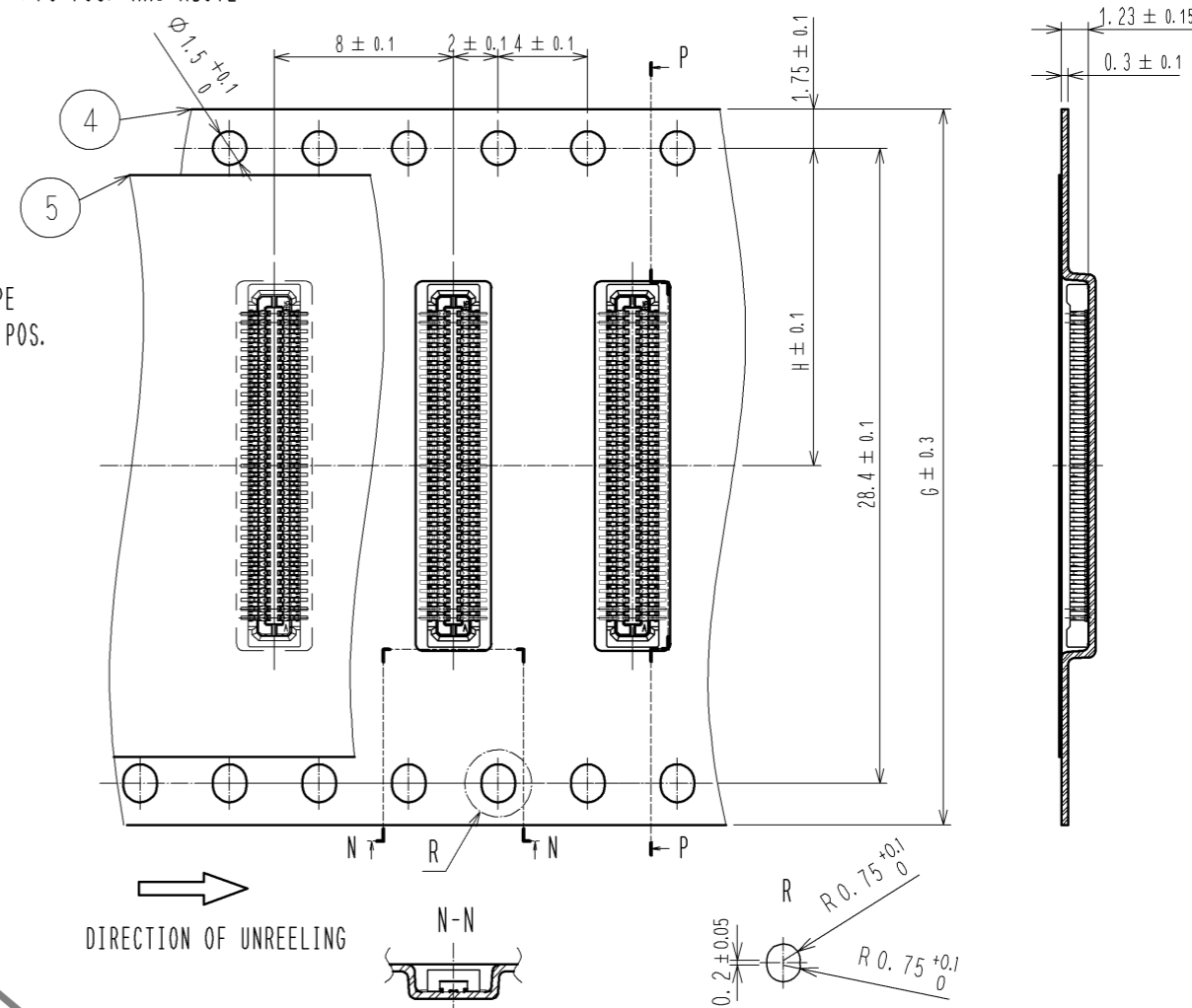
Jan.1.2021 Copyright 2021 HIROSE ELECTRIC CO., LTD. All Rights Reserved.  
 In case of consideration for using Automotive equipment / device which demand high reliability, kindly contact our sales window correspondents.

# EMBOSSED CARRIER TAPE PACKAGING (FREE SIZE)

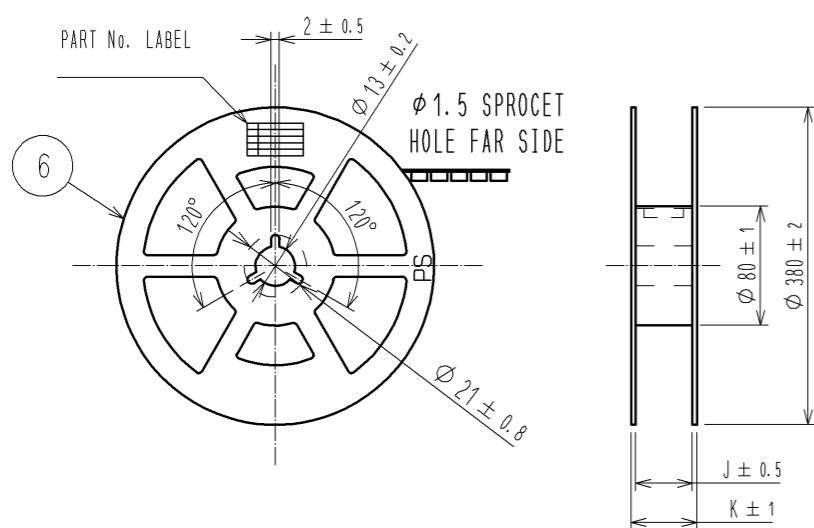
◆ UNDER 60 POS.



◆ 70 POS. AND ABOVE



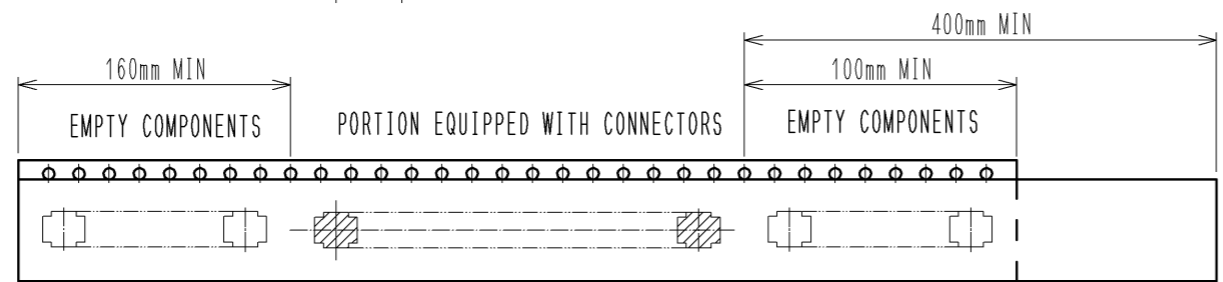
## STYLE AND DIMENSION OF REEL (FREE SIZE)



## DETAIL OF PART No. LABEL

SUPPLIER	HIROSE ELECTRIC CO., LTD.
QUANTITY	8000
PART NO.	DF37NB-DS-0.4V(51)
CODE NO.	** ** *
DATE OF MANUFACTURED	年 月 日
製造年月日	年 月 日
製品コード	** ** *
製品名	DF37NB-DS-0.4V(51)
数量	8000個
納入者	ヒロセ電機(株)

PART No.	G	H	J	K
DF37NB-10DS-0.4V(51)	16	7.5	17.5	21.5
DF37NB-16DS-0.4V(51)	16	7.5	17.5	21.5
DF37NB-20DS-0.4V(51)	16	7.5	17.5	21.5
DF37NB-24DS-0.4V(51)	16	7.5	17.5	21.5
DF37NB-30DS-0.4V(51)	24	11.5	25.5	29.5
DF37NB-34DS-0.4V(51)	24	11.5	25.5	29.5
DF37NB-40DS-0.4V(51)	24	11.5	25.5	29.5
DF37NB-44DS-0.4V(51)	24	11.5	25.5	29.5
DF37NB-50DS-0.4V(51)	24	11.5	25.5	29.5
DF37NB-60DS-0.4V(51)	24	11.5	25.5	29.5
DF37NB-70DS-0.4V(51)	32	14.2	37.5	33.5
DF37NB-74DS-0.4V(51)	32	14.2	37.5	33.5



- NOTES
- PER REEL 8000 CONNECTORS.
  - THE DIMENSIONS IN PARENTHESSES ARE FOR REFERENCE.
  - REFER TO JIS C 0806(PACKING OF COMPONENTS FOR AUTOMATIC HANDLING)
  - DETAIL OF PART NO. LABEL IS WRITTEN IN JAPANESE.
  - EMBOSS POCKET OF LESS THAN 20 POS. SHALL BE CROSS.

<b>HRS</b>	DRAWING NO.	EDC3-319685-02
	PART NO.	DF37NB-DS-0.4V(51)
	CODE NO.	

# Mouser Electronics

Authorized Distributor

Click to View Pricing, Inventory, Delivery & Lifecycle Information:

[Hirose Electric:](#)

[DF37NB-20DS-0.4V\(51\)](#)