

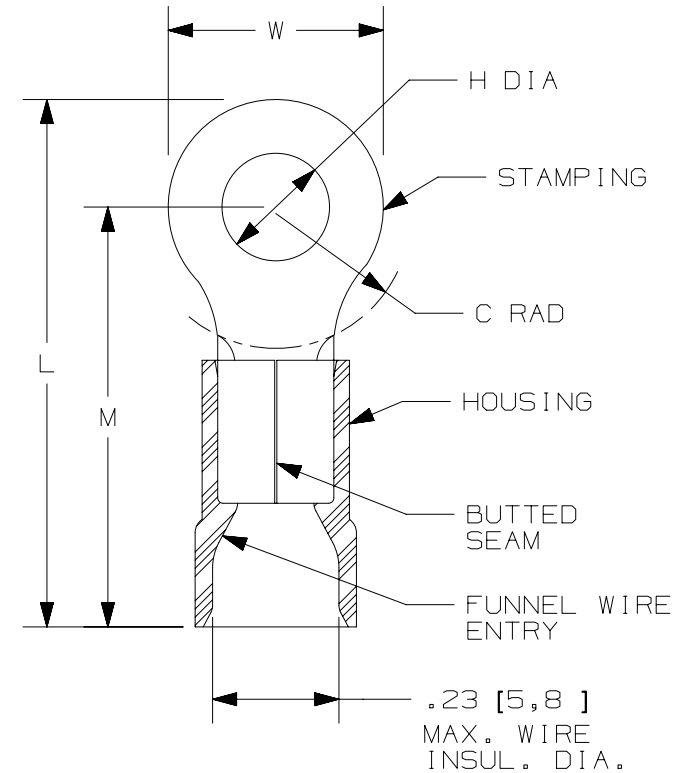
THIS COPY IS PROVIDED ON A RESTRICTED BASIS AND IS NOT TO BE USED IN ANY WAY DETRIMENTAL TO THE INTERESTS OF PANDUIT CORP.

PANDUIT PART #	STUD SIZE		DIMENSIONS in. [mm]				
	ENGLISH	METRIC	L ± .03 [0,8]	W ± .01 [0,3]	C ± .02 [0,5]	M ± .03 [0,8]	H ± .01 [0,3]
EV10-6RB	#6	M3	1.05 [26,7]	.31 [7,9]	.31 [7,9]	.89 [22,6]	.15 [3,8]
EV10-8RB	#8	M4	1.05 [26,7]	.31 [7,9]	.31 [7,9]	.89 [22,6]	.17 [4,3]
EV10-10RB	#10	M5	1.05 [26,7]	.31 [7,9]	.31 [7,9]	.89 [22,6]	.20 [5,1]
EV10-14RB	1/4"	M6	1.23 [31,2]	.52 [13,2]	.38 [9,7]	.97 [24,6]	.27 [6,9]
EV10-56RB	5/16"	M8	1.23 [31,2]	.52 [13,2]	.38 [9,7]	.97 [24,6]	.33 [8,4]
EV10-38RB	3/8"	M10	1.31 [33,3]	.58 [14,7]	.41 [10,4]	1.02 [25,9]	.39 [9,9]

\*RATED 300V, 75°C WITH CT-100A

NOTES:

- USED FOR:
  - A. #12-10 AWG [4,0-6,0 mm<sup>2</sup>] STRANDED COPPER WIRE
  - B. 221°F [105°C] MAX. OPERATING TEMPERATURE
  - C. 600V. MAX. BLDG WIRE (1000 V. MAX. IN SIGNS, FIXTURES & LUMINAIRES)
- MATERIAL:
  - A. STAMPING: .04" [1,0] THK COPPER, TIN PLATED
  - B. HOUSING: VINYL, YELLOW
- INSTALLATION TOOLS PANDUIT APPROVED:
  - A. UL APPROVED: CT-100A\*, CT-600-A (CT-550CH) CT-1550, CT-1551, CT-2500 (CT-2550CH)
  - B. PANDUIT APPROVED: CT-160, CT-260, CT-460
- WIRE STRIP LENGTH: 5/16" <sup>+1/32</sup><sub>-0</sub> [7,9mm <sup>+0,8</sup><sub>-0</sub>]
- SEE [www.panduit.com](http://www.panduit.com) FOR PACKAGE QUANTITIES INDICATED BY PART NUMBER SUFFIX
- DIMENSIONS IN BRACKETS ARE METRIC EQUIVALENT



LISTED  
587H  
E52164



CERTIFIED  
LR31212

TITLE					STRONGHOLD RING TERMINALS VINYL INSULATED, BUTTED SEAM #12-10 AWG							
					CUSTOMER DRAWING							
ITEM REVISION NAME					00123STF/00							
DATASET FILE NAME					00123STF_DC/00							
UNLESS OTHERWISE SPECIFIED, DIMENSIONAL TOLERANCES ARE: IN [mm]												
.x ± .1 [2.54]      .xxx ± .005 [.13] .xx ± .01 [.25]      ANGLES ± 5°												
DRAWING NUMBER:					SH41187							
REV	DATE	BY	CHK	APR	DESCRIPTION	ECN	DRAWN BY	DATE	CHK	SCALE	SHEET	SIZE
00	2/18	JHNU	TMR	RGB	RELEASED	00123SH	JHNU	2/18	TMR	N.T.S.	SHEET 1 OF 1	A

D101000DA/12

# Mouser Electronics

Authorized Distributor

Click to View Pricing, Inventory, Delivery & Lifecycle Information:

Panduit:

[EV10-14RB-Q](#) [EV10-38RB-Q](#) [EV10-56RB-Q](#) [EV10-6RB-Q](#) [EV10-8RB-Q](#) [EV10-10RB-Q](#)