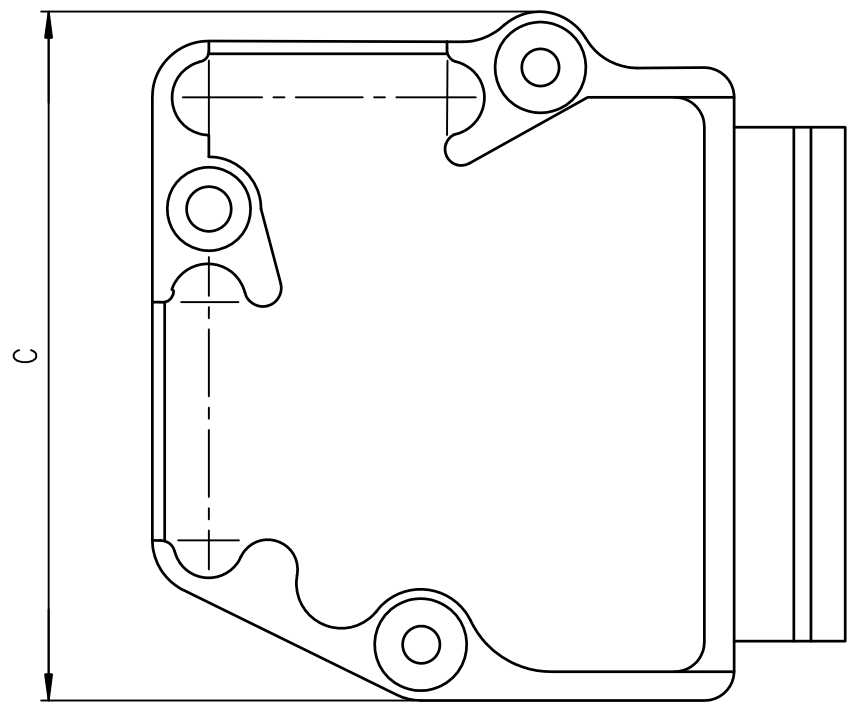
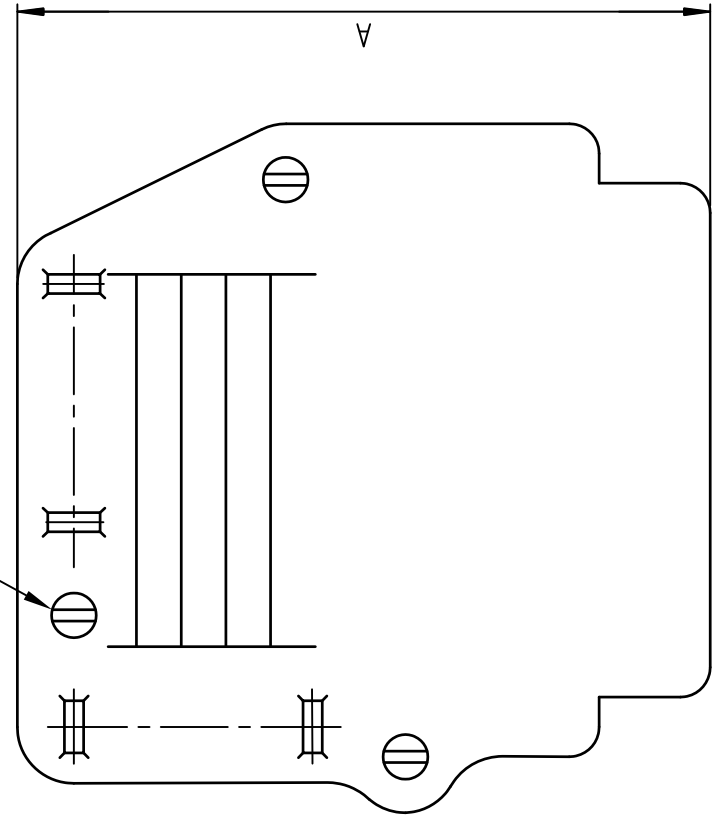


2 Screws for sizes 9&15, 3 for other sizes

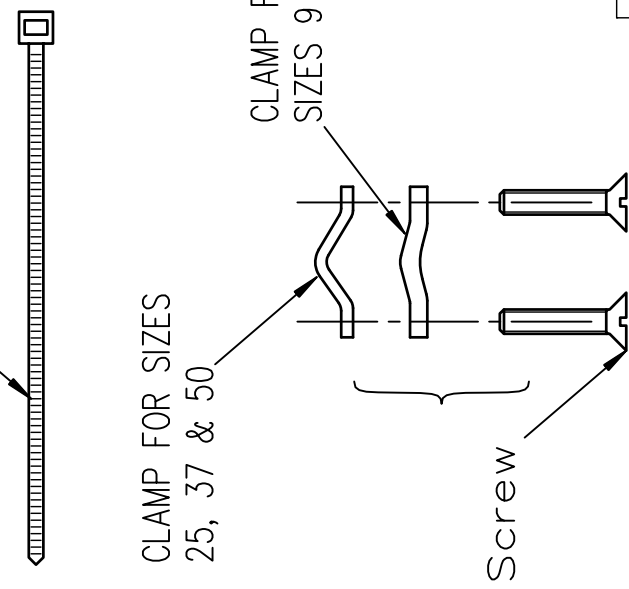


**MATERIAL:**  
Metalized thermoplastic

**TEMPERATURE RANGE:**  
- Climatic category  
metallised hood 55°/ +125°  
black hood 55°/ +95°

**PACKAGING:**  
Box of 50 individual sets

Tie- Wrap



Bill of material		Hood kit	Kit for 2 exit use
components			
1/2 Hood	2	0	
Screw	2	2	
Tapping Screw	3	0	
Tie Wrap	1	1	
Clamp	1	1	

Shell size	Number of contacts	A ±0.3		B ±0.3		C ±0.3		D ±0.2		With clamp		Without clamp		PART NUMBER	
		29.80	15.50	15.50	24.25	6.00	0.25	10.30	8.00	8.00	E	F ±0.5	G ±0.5	Metalized hood	Kit for 2 exit use *
E	09	29.80	15.50	15.50	24.25	6.00	0.25	10.30	8.00	10.30	0.25	10.30	8.00	863093C09MLF	863093CEALF
A	15	29.80	15.50	15.50	32.50	6.00	0.25	10.30	8.00	10.30	0.25	10.30	8.00	863093C15MLF	863093CEALF
B	25	46.80	15.50	15.50	46.00	13.90	2.30	10.30	16.20	10.30	2.30	10.30	16.20	863093C25MLF	863093CBCLF
C	37	46.80	15.50	15.50	60.50	13.90	2.30	10.30	16.20	10.30	2.30	10.30	16.20	863093C37MLF	863093CBCLF
D	50	48.80	18.00	18.00	56.50	15.60	3.90	12.60	18.00	12.60	3.90	14.00	18.00	863093C50MLF	863093CDLDF

Dimensions are in millimeters

\* additional accessories to be ordered separately

**NOTE: RoHS INFORMATIONS**

- The "LF" product meets European union Directives and other country regulations as described in GS-47-0004.
- The product is not intended to be exposed to a manufacturing solder process.
- Packaging spec: see GS-14-920.

Copyright FCI

Fconnect.com



mat'l. code		ISO 1302	Surface	tolerance	projection	product family
H	ELX-I-15253	MP	tolerances unless otherwise specified	ISO 406 ISO 1101		D-SUB
-	-	-	angles linear	.X±0.3 .XX±0.1 .XXX±0.05	MM	title
C	LS07-0300	MPE	2007/11/21	*±2*	scale 2	UNIVERSAL PLASTIC HOOD
D	LS07-0319	MPE	2007/12/18	dr	MITHUN PAUL	sheet 1 of 1 size
E	LS07-0321	MPE	2007/12/19	engr	MITHUN PAUL	A3
F	111-0091	AMR	2011/05/14	chr	MITHUN PAUL	dwg no
G	ELX-I-15087	MP	2013/06/27	appd	BKJU K PAUL	C01-8655-1620
sheet index	revision					type
	Sheet 1					CUSTOMER Drawing

