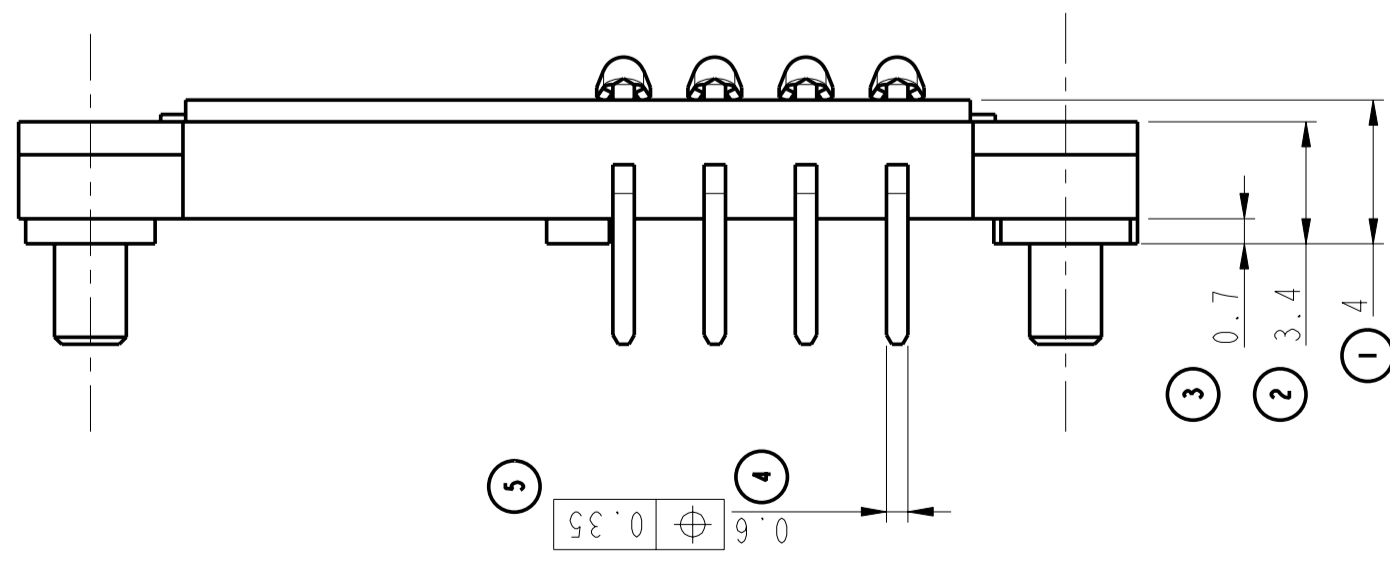
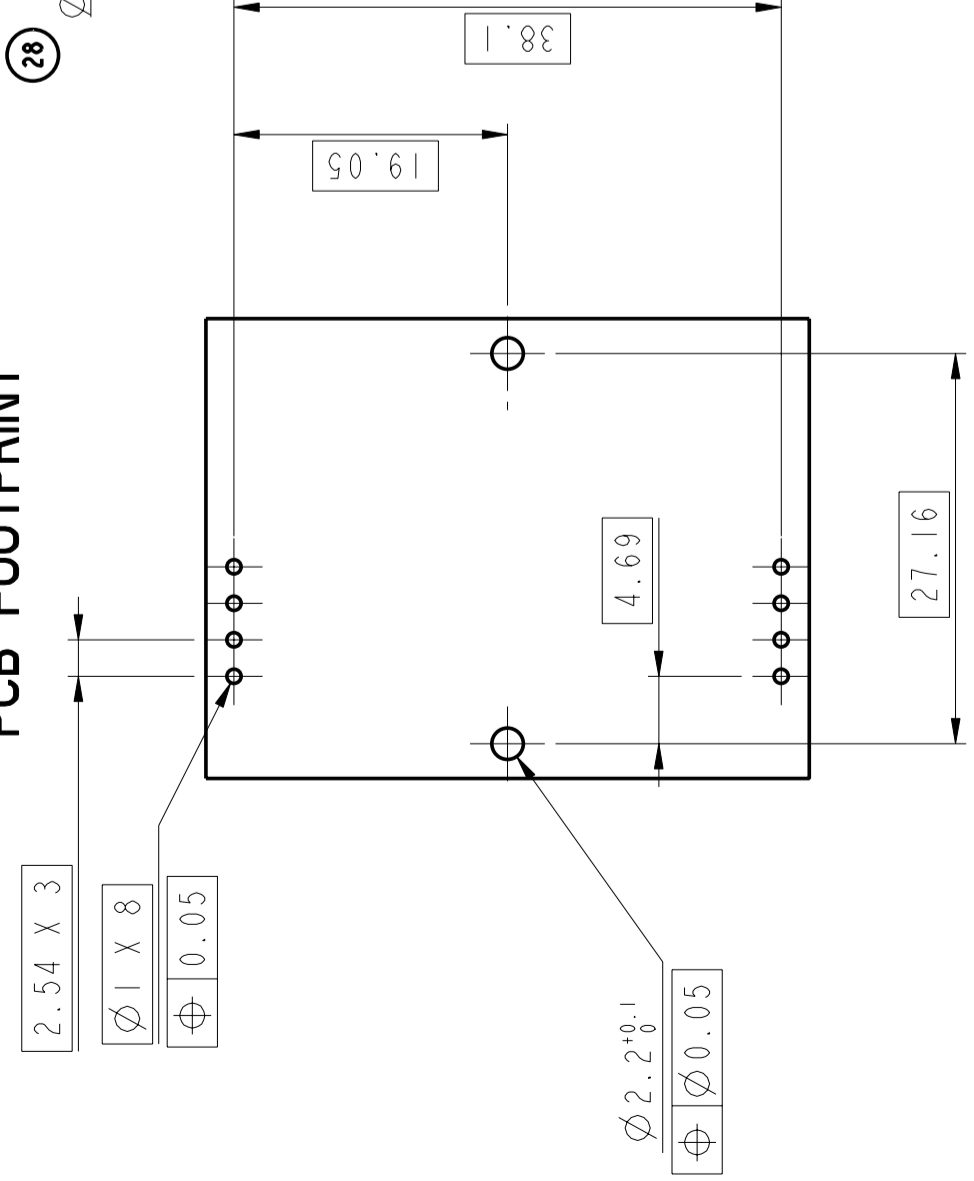


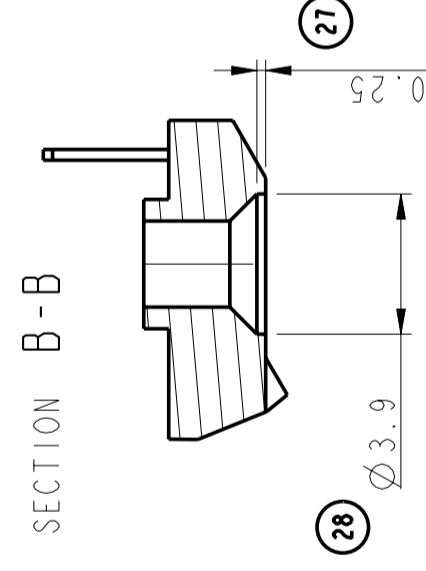
CATALOGUE NUMBER	LEAD FREE VERSION
7832C0425X01	7832C0425X01LF



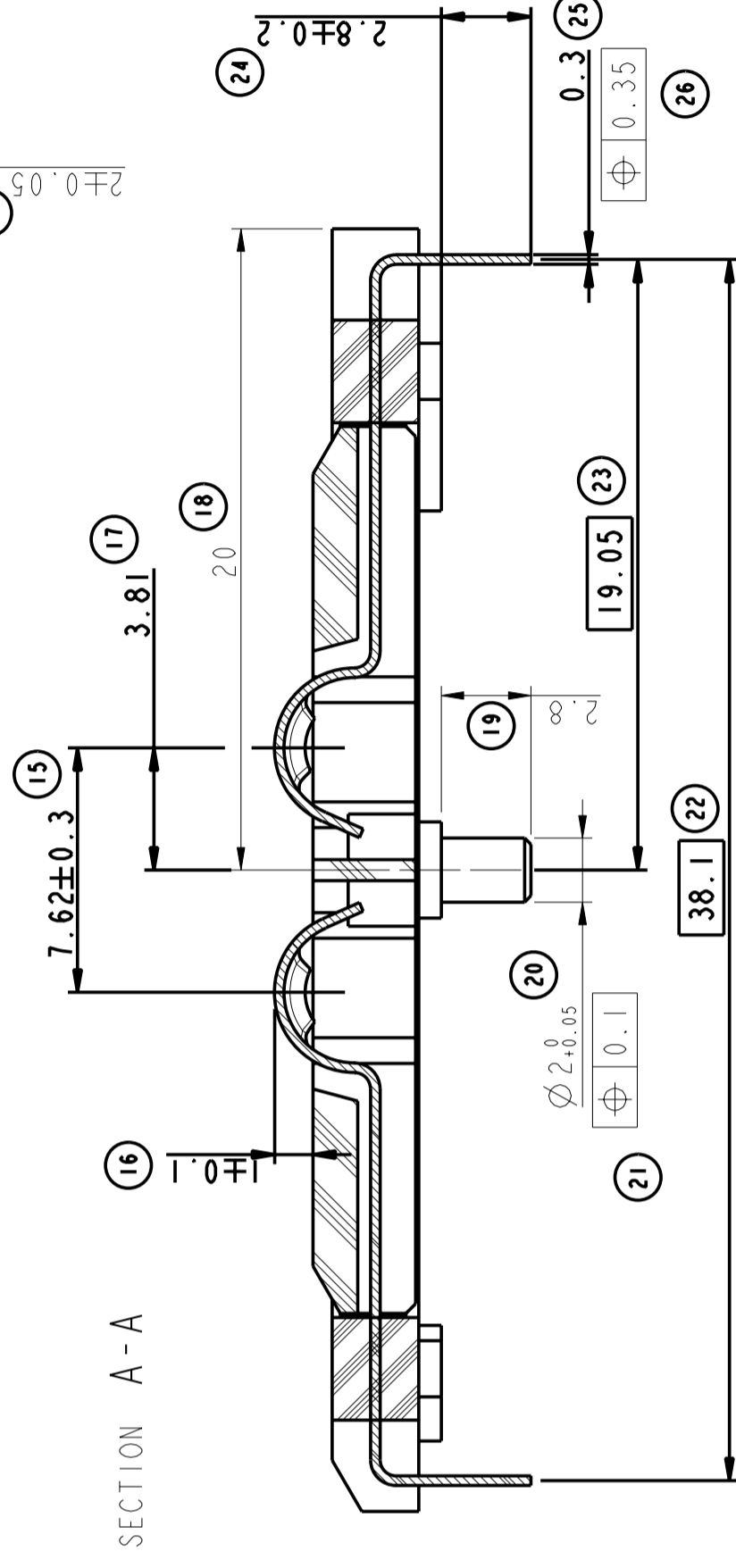
### IMPLANTATION C.I. PCB FOOTPRINT



### SECTION B-B



### SECTION A-A



LEAD FREE VERSION:

"This product meets European Union Directives and other country regulations as described in GS-22-008"

The housing will withstand exposure to 260°C peak temperature for 3-5seconds in a wave solder application with a 1.6mm minimum thick circuit board.

Use protective adhesive tape (Kapton or Teflon) or protective metallic devices on the areas which are directly exposed to wave soldering as it is used in classical leaded wave soldering

Sn Matte plating on solder tail for Lead Free Versions

General Tolerances	
0 to 10mm:	±0.1mm
10 to 30mm:	±0.15mm
30 to 60mm:	±0.2mm
60 and more:	±0.3mm

www.fciconnect.com		surface		tolerance std		projection		mm	
ISO 1302		✓		ISO 406		ISO 1101			
TOLERANCES UNLESS OTHERWISE SPECIFIED		ANGULAR		0.X		±		size	
Dr D LEGRAND 2002/04/29		L LINEAR		0.XX		±		A2	
Eng F TISSERAND 2002/04/29		0°		0.XXX		±		Scale	
Chr DILIP THOMAS 2006/06/21		Product family		SMART CARD		Spec ref		5:1	
Appr K.V.SIVADAS 2006/06/21		ECN		106-0084				106-0084	
FCI		MODULE 8 CONTACTS		CUSTOMER		VRW11376		Rev.	
catalog no		7832C0425X01		sheet		1 of 1		F	