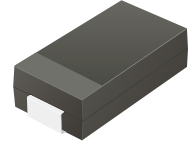


## SS34B-HF Thru. SS320B-HF

Reverse Voltage: 40 to 200 Volts

Forward Current: 3.0 Amp

RoHS Device  
Halogen Free

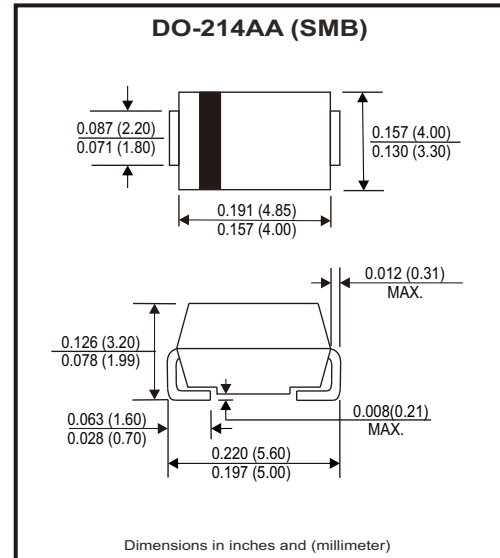


### Features

- Metal silicon junction, majority carrier conduction
- For surface mounted applications
- Low power loss, high efficiency
- High forward surge current capability
- For use in low voltage, high frequency inverters, free wheeling, and polarity protection applications

### Mechanical data

- Case: SMB
- Terminals: Solderable per MIL-STD-750, Method 2026
- Approx. Weight: 95mg / 0.0034oz



### Circuit Diagram



### Maximum Ratings and Electrical Characteristics

Ratings at 25 °C ambient temperature unless otherwise specified. Single phase, half wave, 60Hz resistive or inductive load, for capacitive load, derate by 20 %

Parameter	Symbols	SS34B	SS36B	SS310B	SS315B	SS320B	Units
Maximum repetitive peak reverse voltage	$V_{RRM}$	40	60	100	150	200	V
Maximum RMS voltage	$V_{RMS}$	28	42	70	105	140	V
Maximum DC blocking voltage	$V_{DC}$	40	60	100	150	200	V
Maximum average forward rectified current	$I_{F(AV)}$	3.0					A
Peak forward surge current, 8.3ms single half sine-wave superimposed on rated Load (JEDEC method)	$I_{FSM}$	80					A
Max instantaneous forward voltage at 3 A	$V_F$	0.55	0.70	0.85	0.95		V
Maximum DC reverse current at rated DC reverse voltage	$I_R$	0.5 5		0.3 3			mA
Typical junction capacitance <sup>(1)</sup>	$C_j$	450		400			pF
Typical thermal resistance <sup>(2)</sup>	$R_{\theta JA}$	60					°C/W
Operating junction temperature range	$T_j$	-55 ~ +150					°C
Storage temperature range	$T_{stg}$	-55 ~ +150					°C

(1) Measured at 1 MHz and applied reverse voltage of 4 V D.C (2) P.C.B. mounted with 2.0" X 2.0" (5 X 5 cm) copper pad areas.

Company reserves the right to improve product design, functions and reliability without notice.

## RATING AND CHARACTERISTIC CURVES (SS34B-HF Thru. SS320B-HF)

Fig.1 - Forward Current Derating Curve

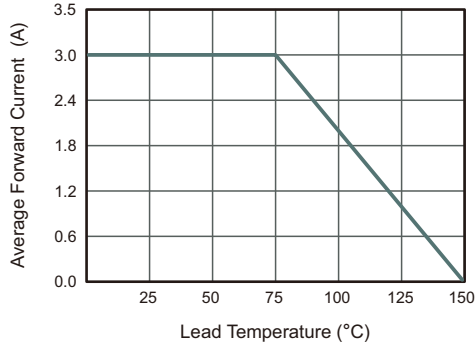


Fig.2 - Typical Reverse Characteristics

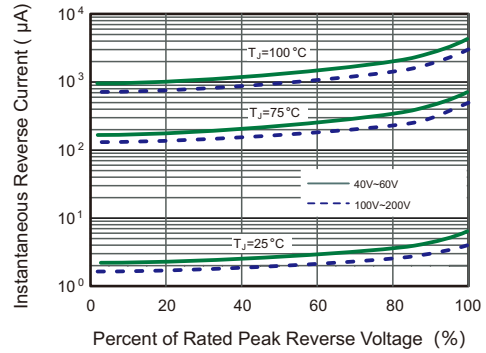


Fig.3 - Typical Forward Characteristic

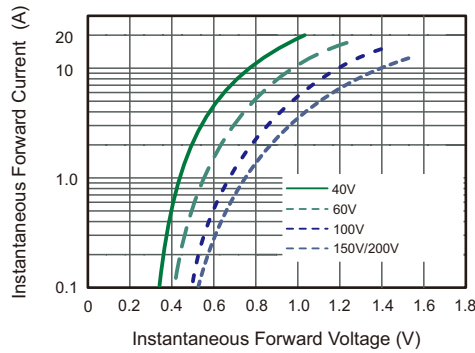


Fig.4 - Typical Junction Capacitance

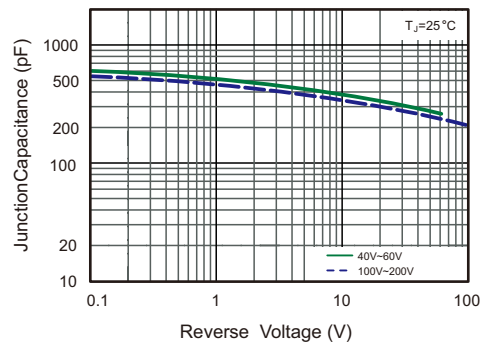


Fig.5 - Maximum Non-Repetitive Peak Forward Surge Current

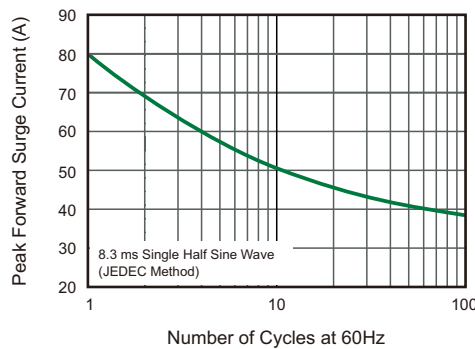
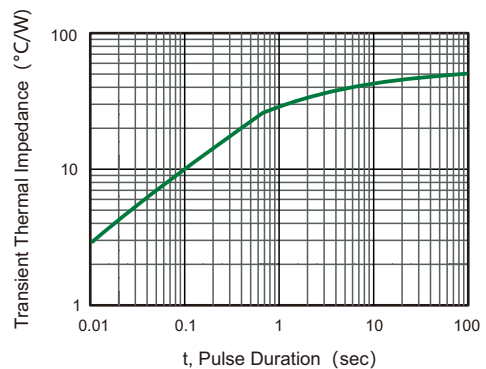
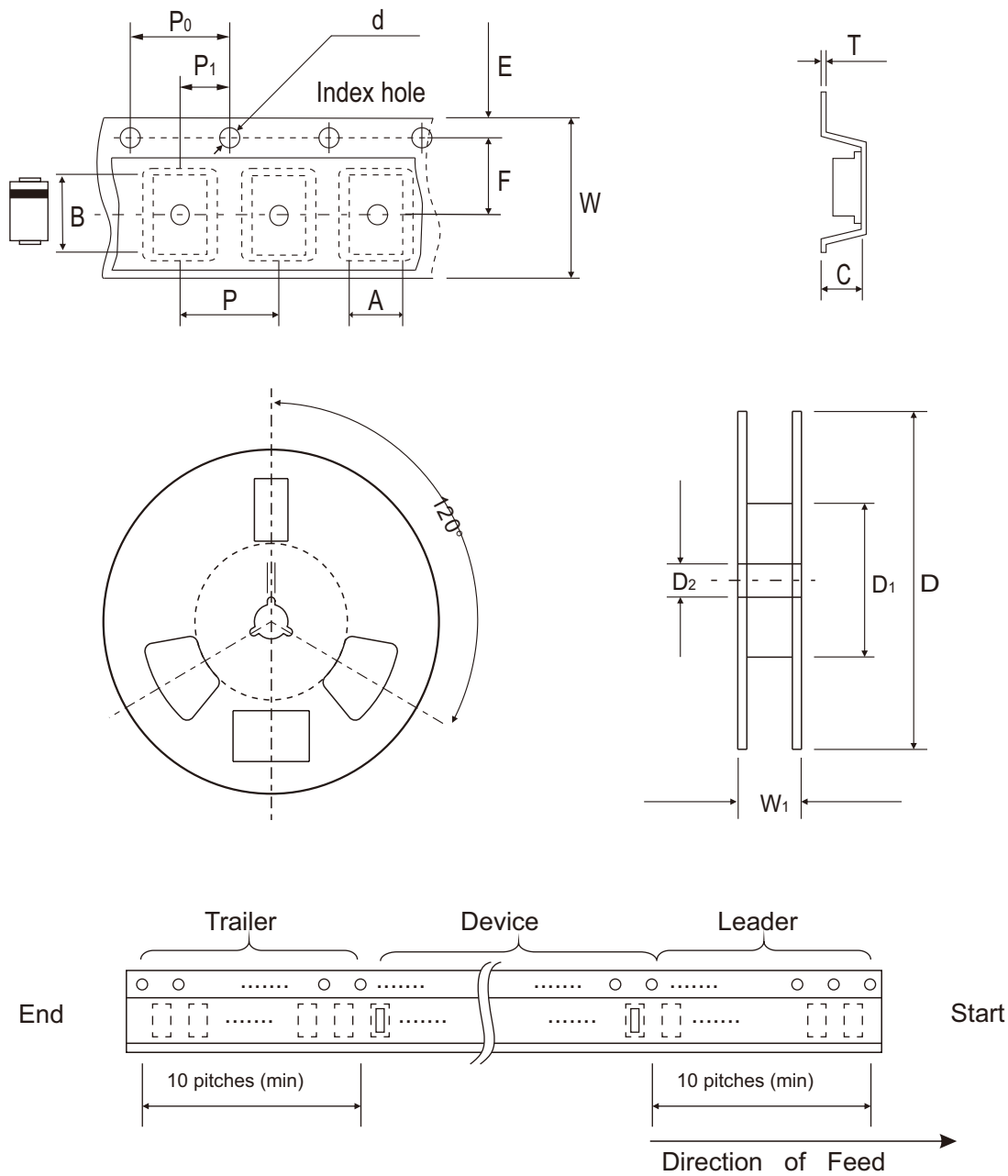


Fig.6 - Typical Transient Thermal Impedance



## Reel Taping Specification



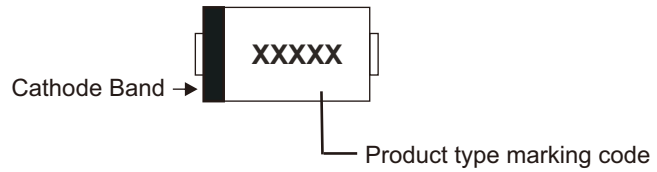
DO-214AA (SMB)	SYMBOL	A	B	C	d	D	D1	D2
	(mm)	4.00 ± 0.10	5.90 ± 0.10	3.00 ± 0.10	1.50 ± 0.10	330 ± 2.00	50.0 MIN.	13.50 ± 0.50
	(inch)	0.157 ± 0.004	0.232 ± 0.004	0.118 ± 0.004	0.059 ± 0.004	12.99 ± 0.079	1.969 MIN.	0.531 ± 0.020

DO-214AA (SMB)	SYMBOL	E	F	P	P0	P1	T	W	W1
	(mm)	1.75 ± 0.10	5.50 ± 0.10	8.00 ± 0.10	4.00 ± 0.10	2.00 ± 0.10	0.60 ± 0.10	12.0 ± 0.30	18.4 ± 1.00
	(inch)	0.069 ± 0.004	0.217 ± 0.004	0.315 ± 0.004	0.157 ± 0.004	0.079 ± 0.004	0.236 ± 0.004	0.472 ± 0.012	0.724 ± 0.040

Company reserves the right to improve product design, functions and reliability without notice.

## Marking Code

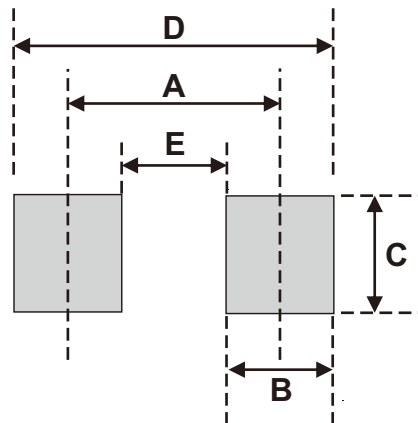
Part Number	Marking Code
SS34B-HF	SS34
SS36B-HF	SS36
SS310B-HF	SS310
SS315B-HF	SS315
SS320B-HF	SS320



xxxx/xxxxx = Product type marking code

## Suggested PAD Layout

SIZE	DO-214AA (SMB)	
	(mm)	(inch)
A	4.30	0.169
B	2.50	0.098
C	2.50	0.098
D	6.80	0.268
E	1.80	0.071



## Standard Packaging

Case Type	REEL PACK	
	REEL ( pcs )	Reel Size (inch)
DO-214AA (SMB)	3,000	13

# Mouser Electronics

Authorized Distributor

Click to View Pricing, Inventory, Delivery & Lifecycle Information:

[Comchip Technology:](#)

[SS310B-HF](#) [SS315B-HF](#) [SS320B-HF](#) [SS34B-HF](#) [SS36B-HF](#)