



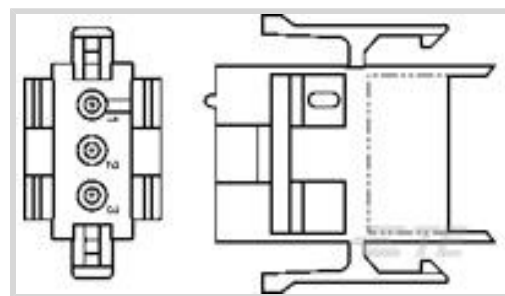
AMP

TE Part # 1-640508-0

TE Internal #: 1-640508-0

[View on TE.com >](#)

Connectors > Power Connectors > Rectangular Power > Rectangular Power Connectors



Product Type: **Housing**

Housing Type: **Receptacle**

Connector System: **Wire-to-Panel, Wire-to-Wire**

Number of Positions: **3**

Centerline (Pitch): **4.2 mm [ .165 in ]**

## Features

### Product Type Features

Product Type	Housing
Housing Type	Receptacle
Connector System	Wire-to-Panel, Wire-to-Wire
Sealable	No
Connector & Contact Terminates To	Wire & Cable
Contact Type	Pin

### Configuration Features

Number of Positions	3
Number of Signal Positions	3
Number of Rows	1

### Electrical Characteristics

Operating Voltage	250 VAC
-------------------	---------

### Mechanical Attachment

Panel Mount Feature	Without
---------------------	---------

### Housing Features

Centerline (Pitch)	4.2 mm[.165 in]
UL Flammability Rating	UL 94V-0
Housing Color	Red

### Dimensions

Width	12.95 mm[.51 in]
Accepts Wire Insulation Diameter Range	2.92 mm[.115 in]
Height	7.37 mm[.29 in]
Length	26.92 mm[1.06 in]

### Usage Conditions

Operating Temperature Range	-55 – 105 °C[-67 – 221 °F]
-----------------------------	----------------------------

### Industry Standards

Agency/Standard Number	E28476
Agency/Standard	CSA, UL
UL Rating	Recognized
CSA File Number	LR7189

### Packaging Features

Packaging Method	Box
Packaging Quantity	1700

### Product Compliance

[For compliance documentation, visit the product page on TE.com>](#)

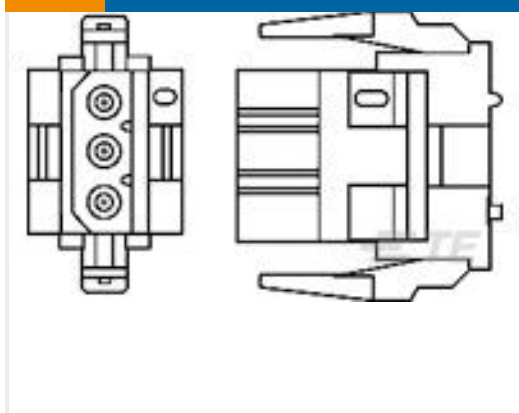
EU RoHS Directive 2011/65/EU	Compliant
EU ELV Directive 2000/53/EC	Compliant
China RoHS 2 Directive MIIT Order No 32, 2016	No Restricted Materials Above Threshold
EU REACH Regulation (EC) No. 1907/2006	ECHAによる現在の候補リスト: 2019年1月(197) 候補リストの表記: 2018年1月(181)
Halogen Content	Not Low Halogen - contains Br or Cl > 900 ppm.
Solder Process Capability	Not applicable for solder process capability

#### Product Compliance Disclaimer

This information is provided based on reasonable inquiry of our suppliers and represents our current actual knowledge based on the information they provided. This information is subject to change. The part numbers that TE has identified as EU RoHS compliant have a maximum concentration of 0.1% by weight in homogenous materials for lead, hexavalent chromium, mercury, PBB, PBDE, DBP, BBP, DEHP, DIBP, and 0.01% for cadmium, or qualify for an exemption to these limits as defined in the Annexes of Directive 2011/65/EU (RoHS2). Finished electrical and electronic equipment products will be CE marked as required by Directive 2011/65/EU. Components may not be CE marked. Additionally, the part numbers that TE has identified as EU ELV compliant have a maximum concentration of 0.1% by weight in homogenous materials for lead, hexavalent chromium, and mercury, and 0.01% for cadmium, or qualify for an exemption to these limits as defined in the Annexes of Directive 2000/53/EC (ELV). Regarding the REACH Regulations, TE's information on SVHC in articles for this part number is still based on the European Chemical Agency (ECHA) 'Guidance on requirements for substances in articles' (Version: 2, April 2011), applying the 0.1% weight on weight concentration threshold at the finished product level. TE is aware of the European Court of Justice ruling of September 10th, 2015 also known as O5A (Once An

Article Always An Article) stating that, in case of 'complex object', the threshold for a SVHC must be applied to both the product as a whole and simultaneously to each of the articles forming part of its composition. TE has evaluated this ruling based on the new ECHA "Guidance on requirements for substances in articles" (June 2017, version 4.0) and will be updating its statements accordingly.

### Compatible Parts



TE Part # 1-640518-0  
03P MR II PLUG HSG V0  
RED

### Customers Also Bought



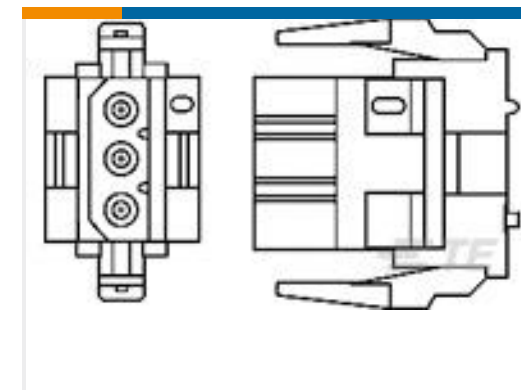
TE Part #2063388-1  
TOOL, EXTRACTION



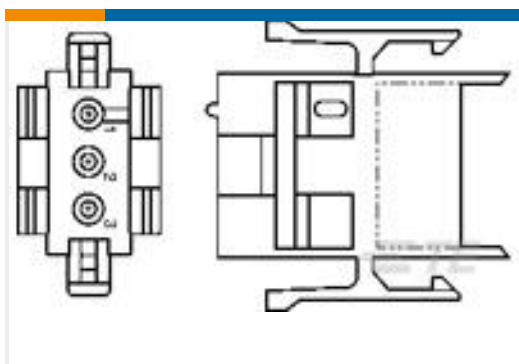
TE Part #1658656-1  
KIT,HDP-20,ENCLSUR,  
RCPT,SIZE 2



TE Part #5205980-4  
SCREW RETAINER KIT



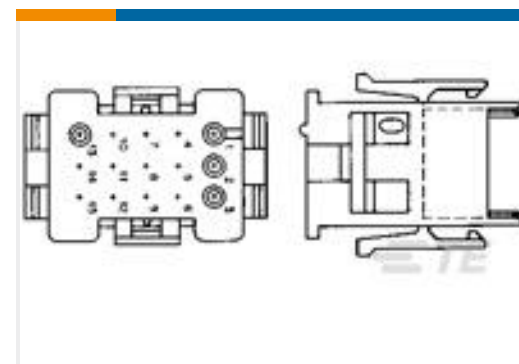
TE Part #1-640518-0  
03P MR II PLUG HSG V0  
RED



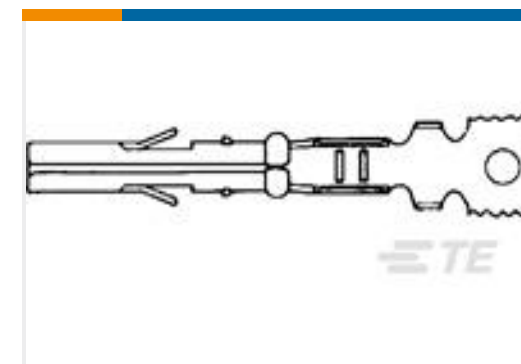
TE Part #1-640507-0  
02P MR II CAP HSG V0 RED



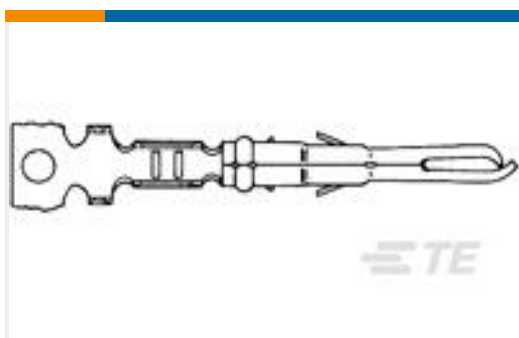
TE Part #640545-2  
MR SPLIT PIN 26-18  
AUPHBRZ LP



TE Part #1-640509-0  
04P MR II CAP HSG V0 RED



TE Part #641300-2  
MR RECPT AUPHBZ LP 26-  
18



TE Part #640545-1  
MR SPLIT PIN 26-18  
PTPHBRZ LP

### Documents

**Product Drawings**  
03P MR II CAP HSG V0 RED

English



---

### CAD Files

Customer View Model

[ENG\\_CVM\\_1-640508-0\\_D.2d\\_dxf.zip](#)

English

Customer View Model

[ENG\\_CVM\\_1-640508-0\\_D.3d\\_igs.zip](#)

English

Customer View Model

[ENG\\_CVM\\_1-640508-0\\_D.3d\\_stp.zip](#)

English

[3D PDF](#)

English

---

### Datasheets & Catalog Pages

[SOFT\\_SHELL\\_PIN\\_AND\\_SOCKET\\_CONNECTORS\\_CATALOG](#)

English

---

### Product Specifications

[Application Specification](#)

English

---

### Product Environmental Compliance

[MD\\_1-640508-0\\_021920182237\\_dmtec](#)

English

[MD\\_1-640508-0\\_021920182237\\_dmtec](#)

English

---

### Instruction Sheets

[Instruction Sheet \(U.S.\)](#)

English

[AMP\\* MINIATURE RECTANGULAR II \(MRII\) CONNECTORS](#)

English

---

### Agency Approvals

[Agency Approval Document](#)

English