
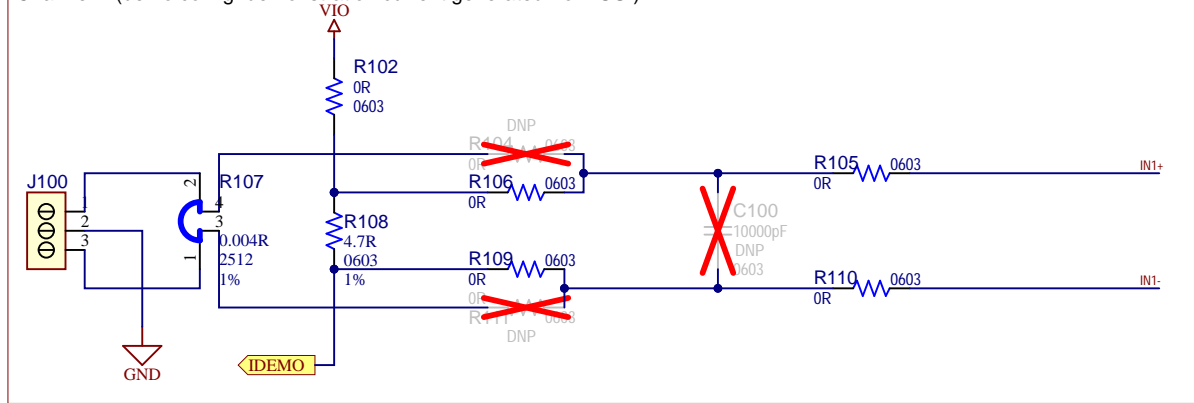


Project Owner: Tony Andresen			
PCB Layout Contact: Bogdan Popescu			
PartNumber: EV40S84A	Project Title PAC1944 4 Ch High Side DC Power Monitor	Variant: PAC1944	
Sheet Title Current Sources			
Size B	SCH #: 03-00127	Rev: 3	Date: 1/8/2021
	PCB #: 04-11028	Rev: 3	Sheet 1 of 5
File: top_sheet.SchDoc			

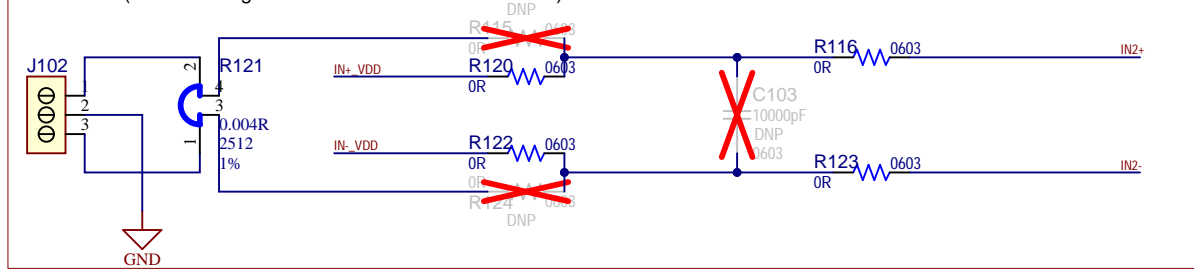


PAC Channel Connections

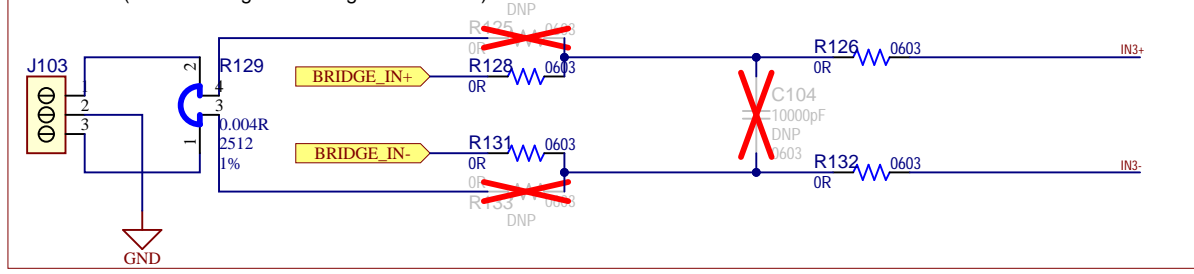
Channel 1 (demo config: demonstration current generated from GUI)



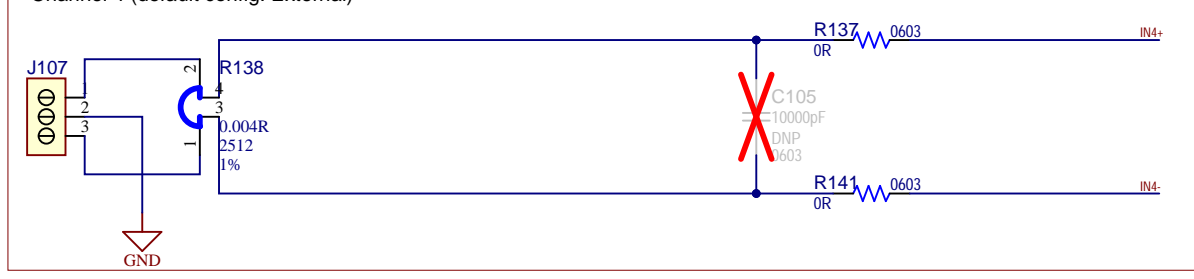
Channel 2 (default config: PAC19xx maximum Vdd current)



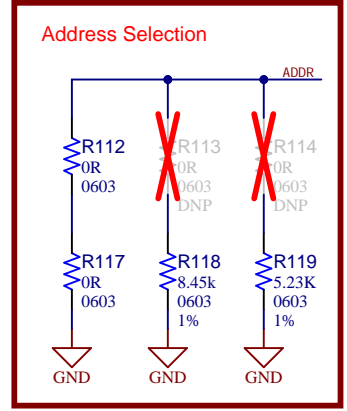
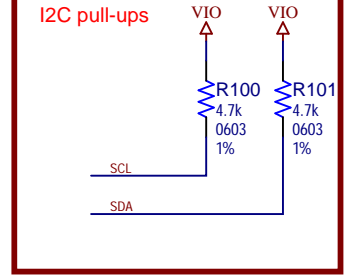
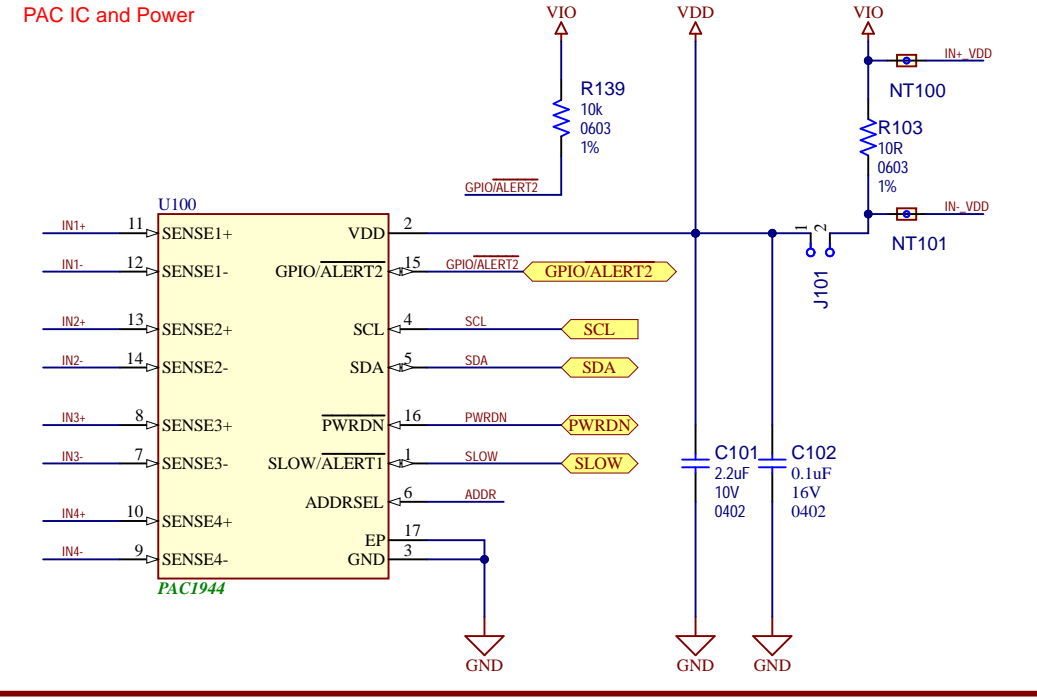
Channel 3 (default config: USB bridge Vdd current)



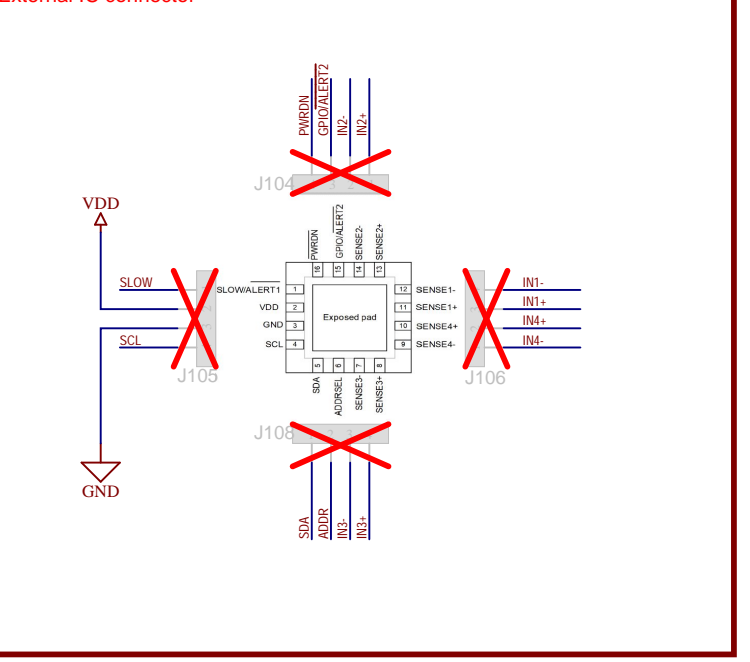
Channel 4 (default config: External)



PAC IC and Power



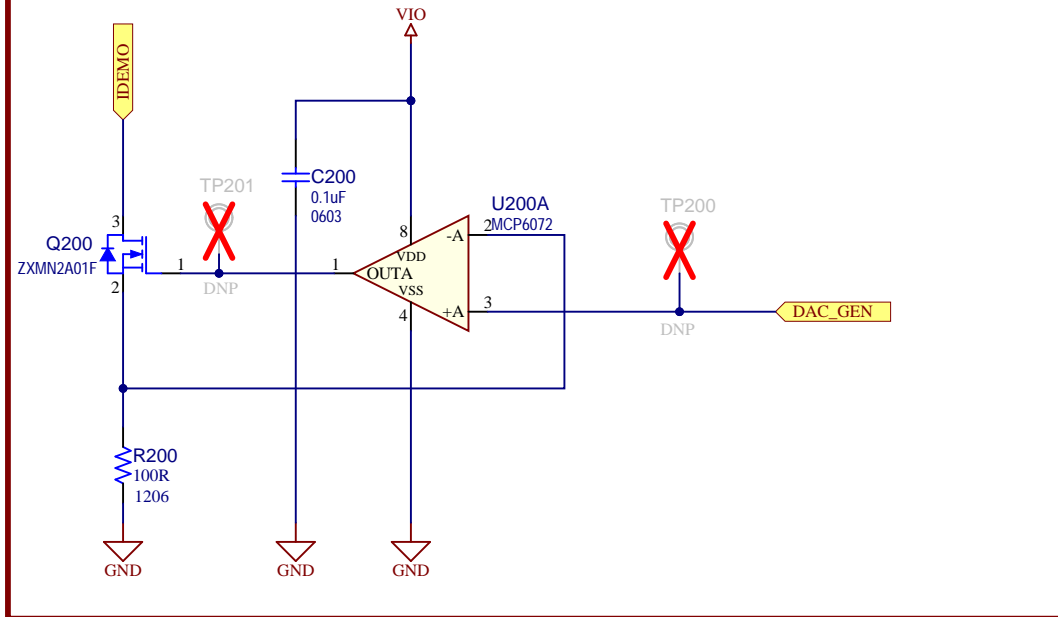
External IC connector




Project Owner: Tony Andresen			
PCB Layout Contact: Bogdan Popescu			
PartNumber: EV40S84A	Project Title PAC1944 4 Ch High Side DC Power Monitor	Variant: PAC1944	
Sheet Title PAC19X4			
Size B	SCH #: 03-00127	Rev: 3	Date: 1/8/2021
	PCB #: 04-11028	Rev: 3	Sheet 2 of 5
File: PAC1944_54.SchDoc			

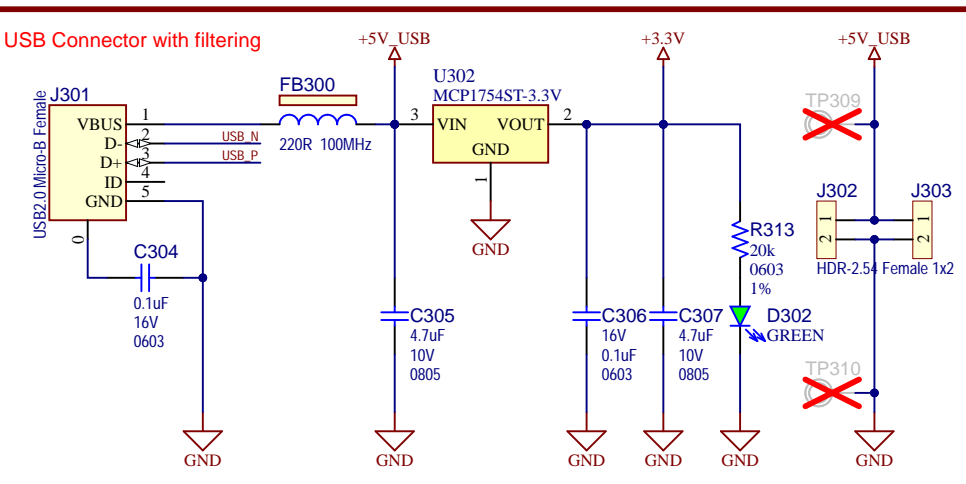
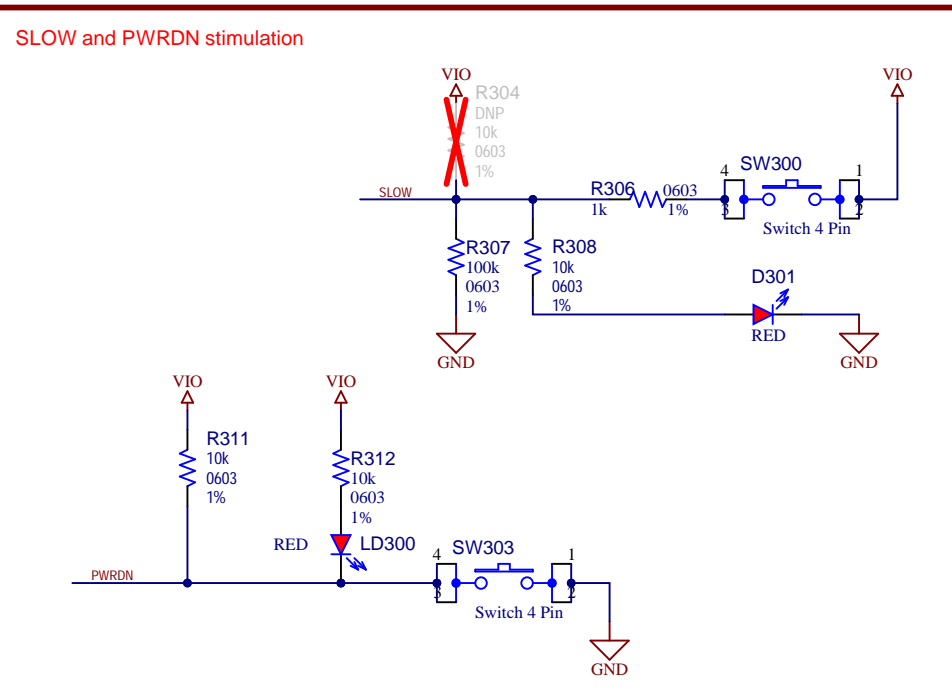
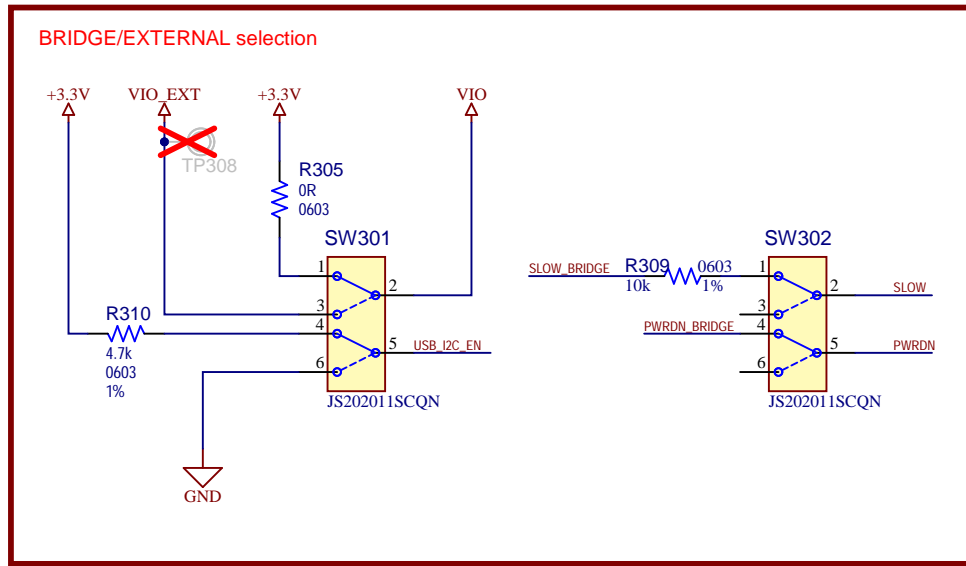
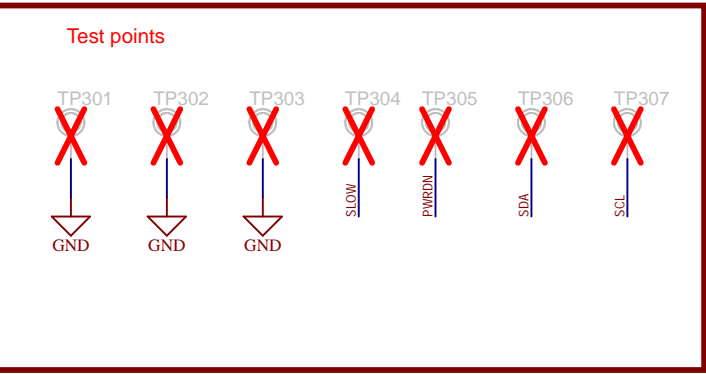
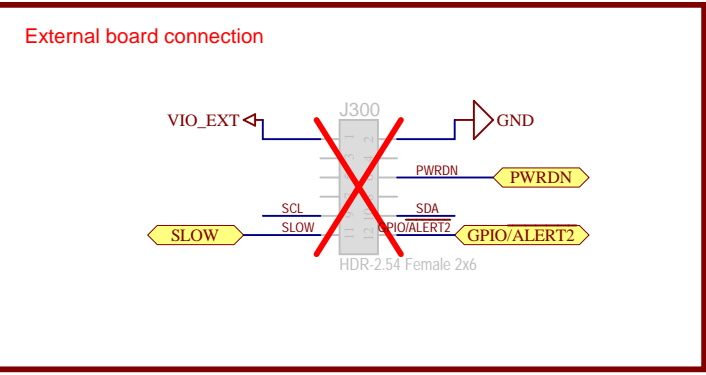
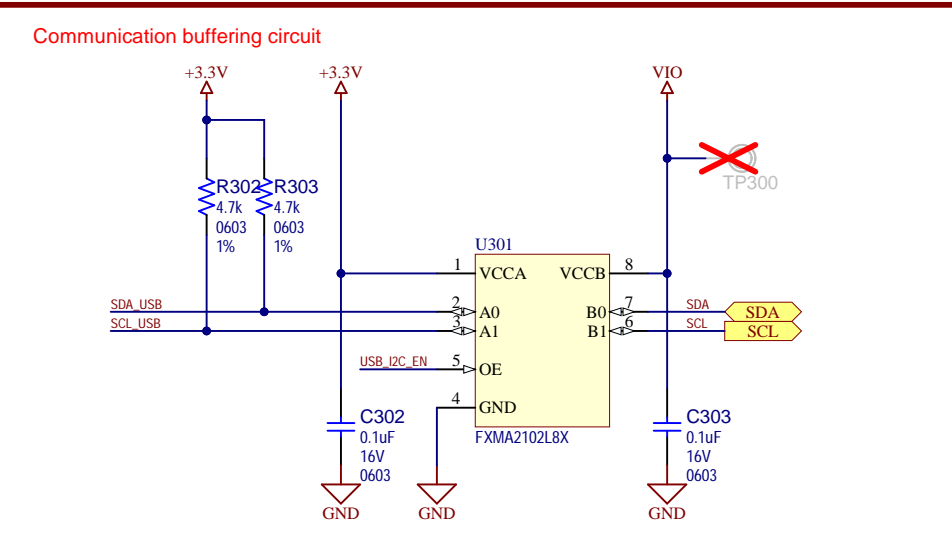
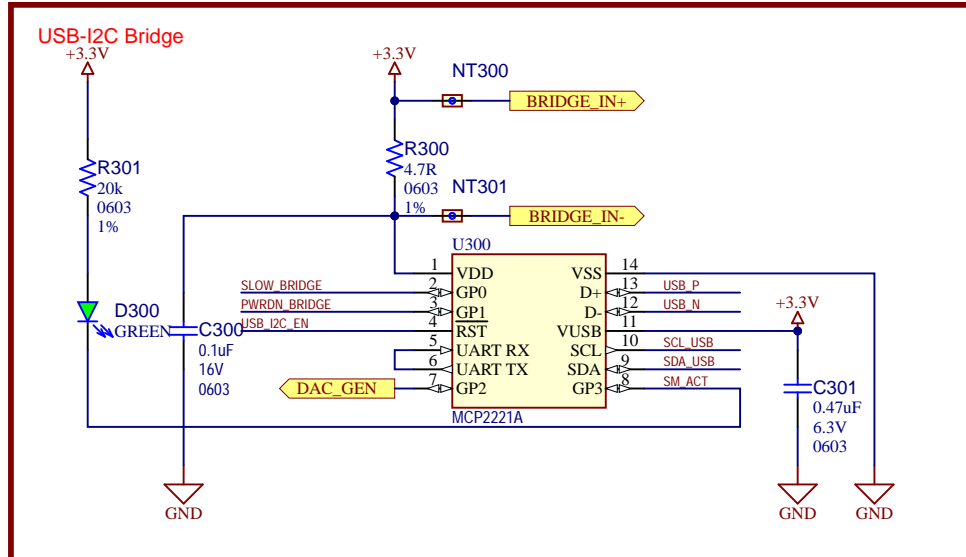


DAC-controlled current generator



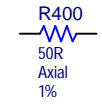
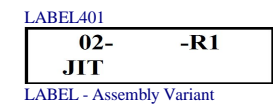
Project Owner: Tony Andresen			
PCB Layout Contact: Bogdan Popescu			
PartNumber: EV40S84A	Project Title PAC1944 4 Ch High Side DC Power Monitor	Variant: PAC1944	
Sheet Title Current Sources			
Size B	SCH #: 03-00127	Rev: 3	Date: 1/8/2021
	PCB #: 04-11028	Rev: 3	Sheet 3 of 5
File: current_sources.SchDoc			





Project Owner: Tony Andresen			
PCB Layout Contact: Bogdan Popescu			
PartNumber: EV40S84A	Project Title PAC1944 4 Ch High Side DC Power Monitor	Variant: PAC1944	
Sheet Title USB & Power			
Size B	SCH #: 03-00127	Rev: 3	Date: 1/8/2021
File: USB_and_power.SchDoc		PCB #: 04-11028	Rev: 3
		Sheet 4 of 5	

REV	ECO#	DESCRIPTION	DATE



Project Owner: Tony Andresen			
PCB Layout Contact: Bogdan Popescu			
PartNumber: EV40S84A	Project Title PAC1944 4 Ch High Side DC Power Monitor	Variant: PAC1944	
Sheet Title Mechanical			
Size B	SCH #: 03-00127	Rev: 3	Date: 1/8/2021
	PCB #: 04-11028	Rev: 3	Sheet 5 of 5
File: mechanical.SchDoc			