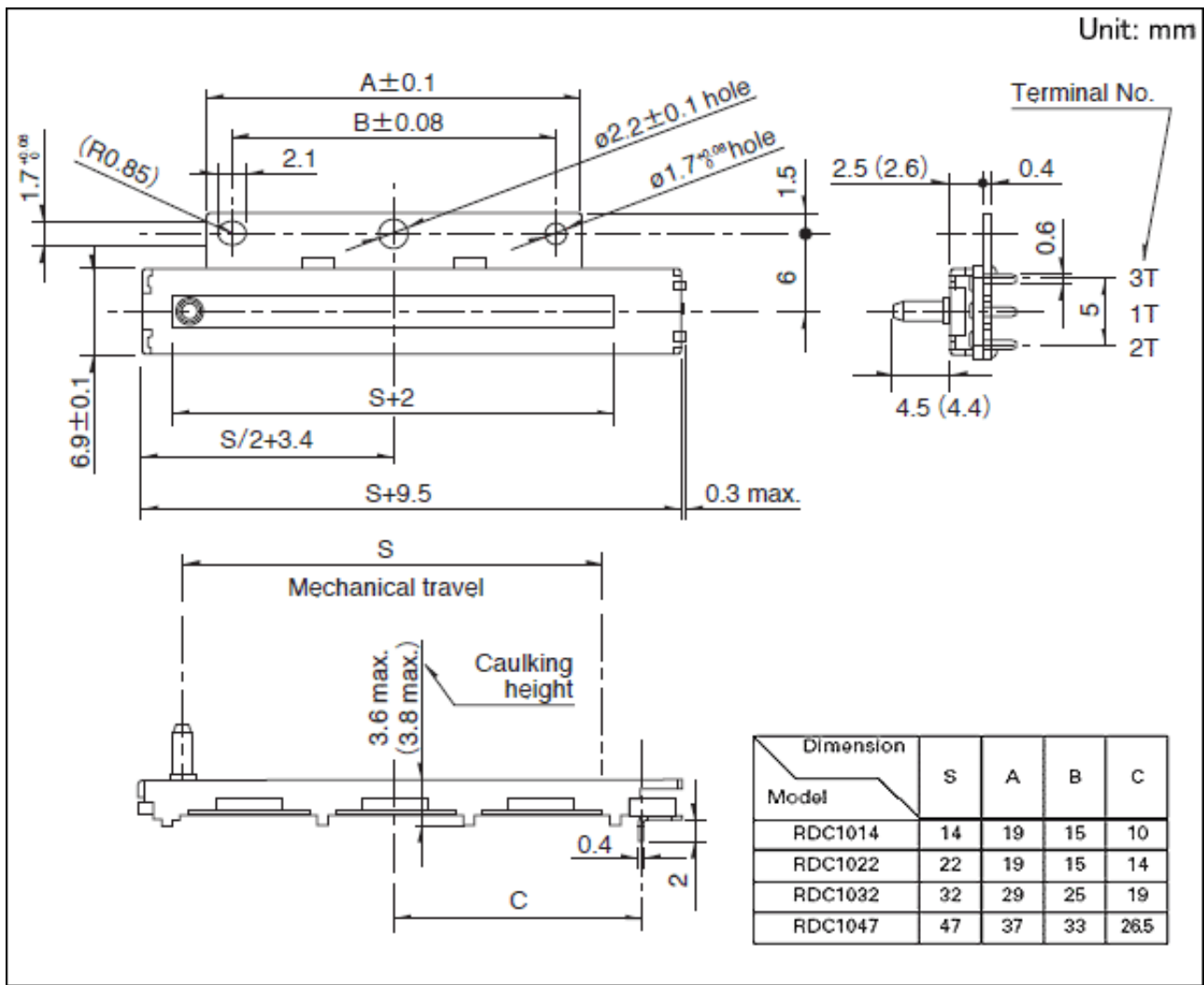




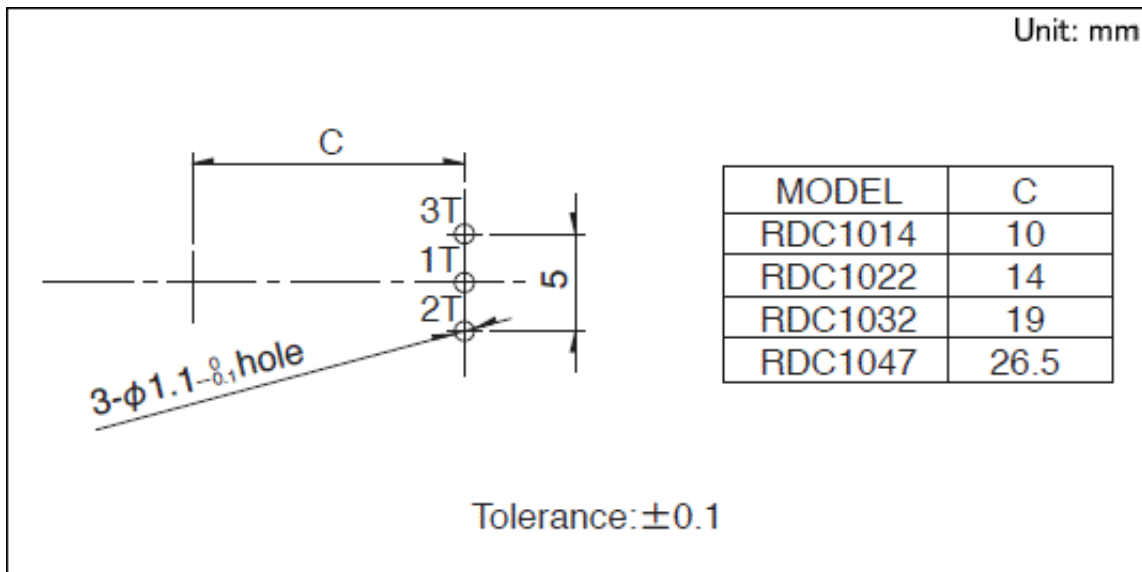
Linear Type RDC10 Series

Travel		22mm
Mounting method		Horizontal type
Total resistance		10k Ω
Linearity		$\pm 0.5\%$
Operating life		200,000 cycles
Length of lever		4.5mm
Length of terminal		2mm
Operating temperature range		-30°C to +85°C
Mechanical performance	Operating force	0.25N max.
Electrical performance	Total resistance tolerance	$\pm 30\%$
	Rated voltage	5V DC
Environmental test	Cold	-40°C 240h
	Dry heat	90°C 240h
	Damp heat	60°C, 90 to 95%RH 240h
Minimum order unit (pcs.)	Japan	2,100
	Export	4,200

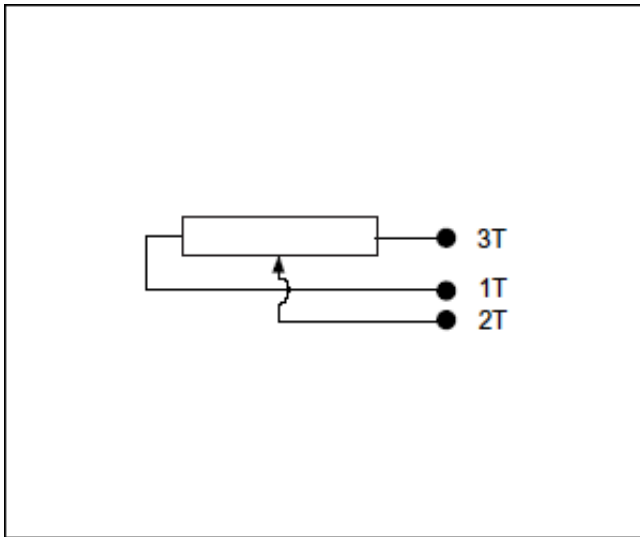
Dimensions



Mounting Hole Dimensions



Circuit Diagram



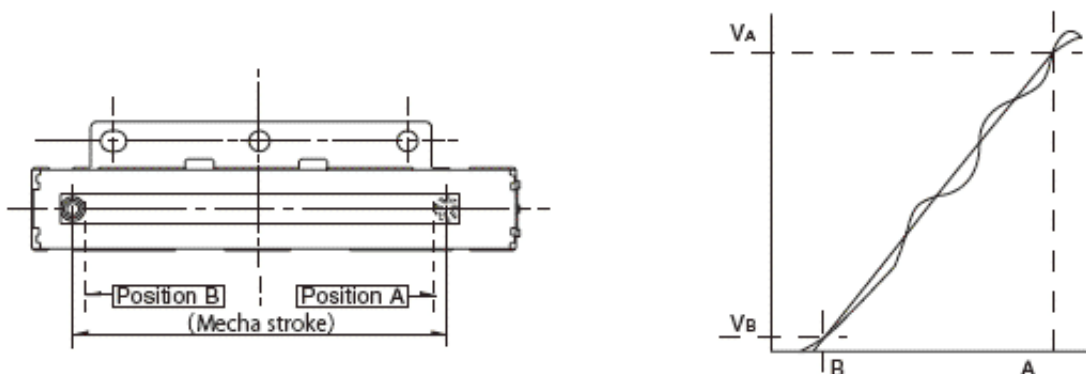
Lever Dimensions

Unit : mm

Length	4.5 (4.4)
Dimensions	

Linearity

With rated voltage applied between terminals 1 and 3, the straight line which connects the measured output values V_B and V_A at specified reference positions B and A is assumed to be an ideal straight line, so that deviation against the ideal straight line when the voltage applied between terminals 1 and 3 is assumed to be 100% can be expressed as a percentage.



Packing Specifications

Tray

Number of packages (pcs.)	1 case / Japan	2,100
	1 case / export packing	4,200
Export package measurements (mm)		374×508×302

Soldering Conditions

Reference for Hand Soldering

Tip temperature	350°C max.
Soldering time	3s max.

Notes are common to this series/models.

1. This site catalog shows only outline specifications. When using the products, please obtain formal specifications for supply.
2. Place your purchase order in N minimum package units (N: integer).
3. Ask us for the export packaging unit.
4. Products other than those listed in above products are also available. Please contact us for details.
5. This products can be used in vehicles.
Although these products are designed to perform over a wide operating temperature range, please ensure that you receive and read the formal delivery specifications before use.