



## 8.5(H)mm, 2.0mm-travel Type SSSF Series

Travel	2mm	
Actuator directions	Horizontal	
Actuator length	6mm	
Poles	1	
Positions	3	
Operating force	Refer to the dimensions.	
Mounting method	Snap-in (t1.6)	
Changeover timing	Non shorting	
Soldering	Manual, Dip	
Operating temperature range	-40°C to +85°C	
Rating (max.)/(min.) (Resistive load)	0.1A 30V DC/10μA 1V DC	
Electrical performance	Contact resistance (Initial performance/After lifetime)	25mΩ max./65mΩ max.
	Insulation resistance	100MΩ min. 500V DC
	Voltage proof	500V AC for 1 minute
Mechanical performance	Terminal strength	5N for 1 minute
	Actuator strength	Operating direction 30N
		Pulling direction 30N
Durability	Operating life without load	10,000 cycles 45mΩ max.
	Operating life with load (at max. rated load)	10,000 cycles 65mΩ max.
Environmental performance	Cold	-40°C 500h

Dry heat

85°C 500h

Damp heat

60°C, 90 to 95%RH 500h

Minimum order unit (pcs.)

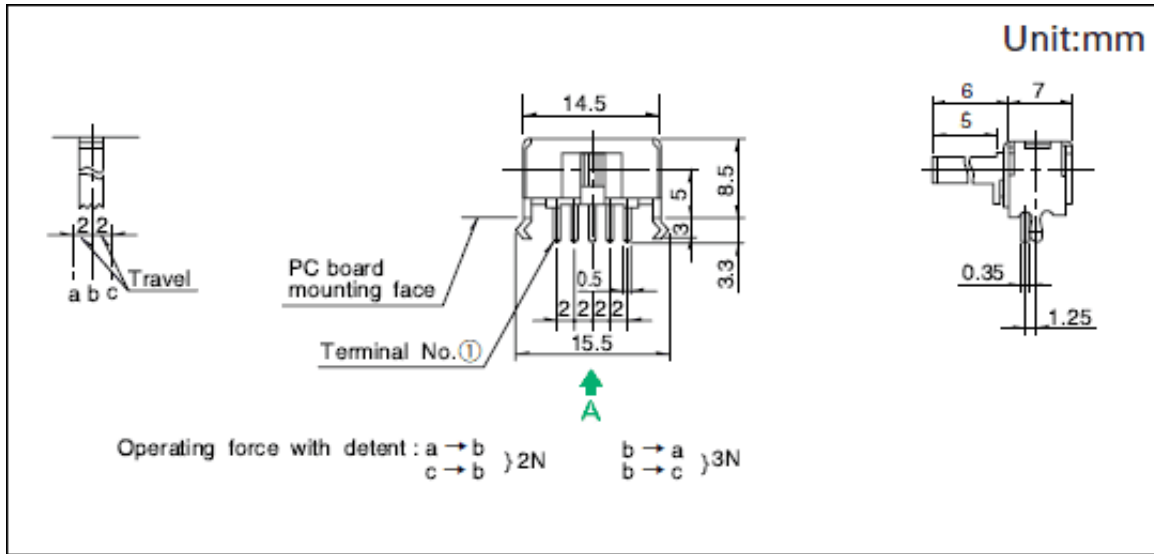
Japan

600

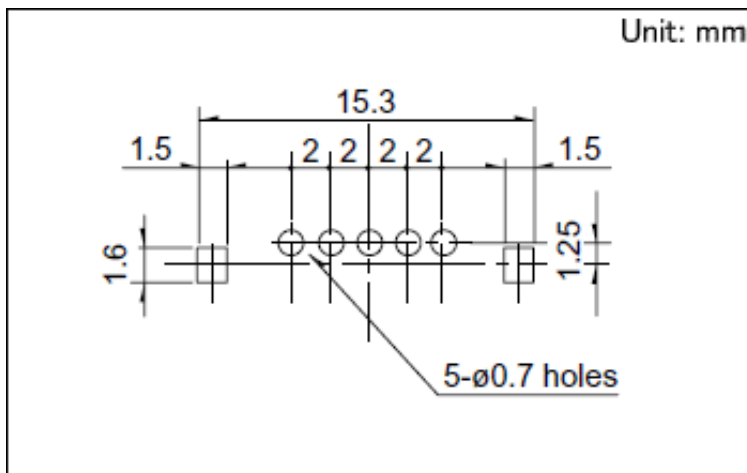
Export

3,000

### Dimensions

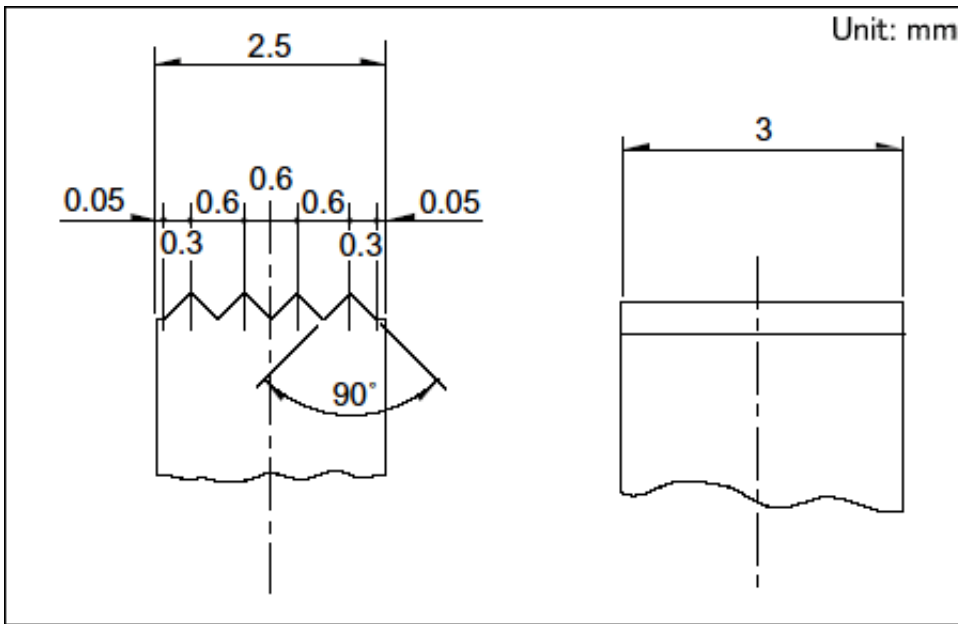


### Mounting Hole Dimensions



Viewed from direction A in the dimensions.

### Actuator Configuration

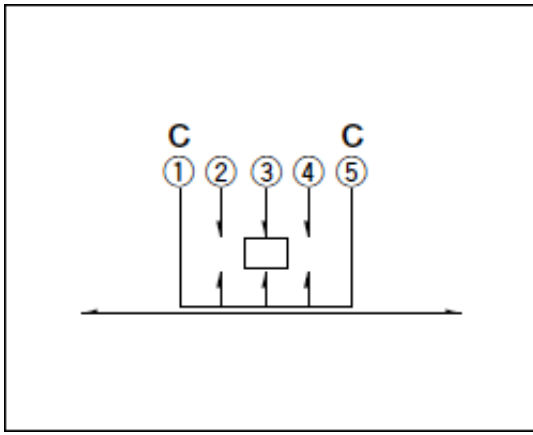


Shape of Frame Leg

Pole - position	A	
	Vertical	Horizontal
1 - 2	15.5	15.5
1 - 3		
2 - 2		
2 - 3		
4 - 2	17.5	17.5

Thickness of PC board t=1.6

Circuit Diagram



## Packing Specifications

### Bulk

Number of packages (pcs.)	1 case / Japan	600
	1 case / export packing	3,000
Export package measurements (mm)	400×270×290	

## Soldering Conditions

### Reference for Dip Soldering

Items	Preheating temperature	100°C max.
	Preheating time	60s max.
Dip soldering	Soldering temperature	260±5°C
	Duration of immersion	5±1s

### Reference for Hand Soldering

Soldering temperature	350±10°C
Soldering time	3+1/0s

## Notes are common to this series/models.

1. This site catalog shows only outline specifications. When using the products, please obtain formal specifications for supply.
2. Please place purchase orders per minimum order unit (integer).
3. Products other than those listed in the above chart are also available. Please contact us for details.