



MICRO SWITCH

FREEPORT, ILLINOIS, U.S.A.
A DIVISION OF HONEYWELL

FED. MFG. CODE 91929

SWITCH - BASIC

CATALOG LISTING
BZ - 2RT

M BZ-2RT
PAGE 1 OF 1

DRAWING NUMBER

ISSUE 13

REPLACES

RELEASE NO.

CHECK

CHECK

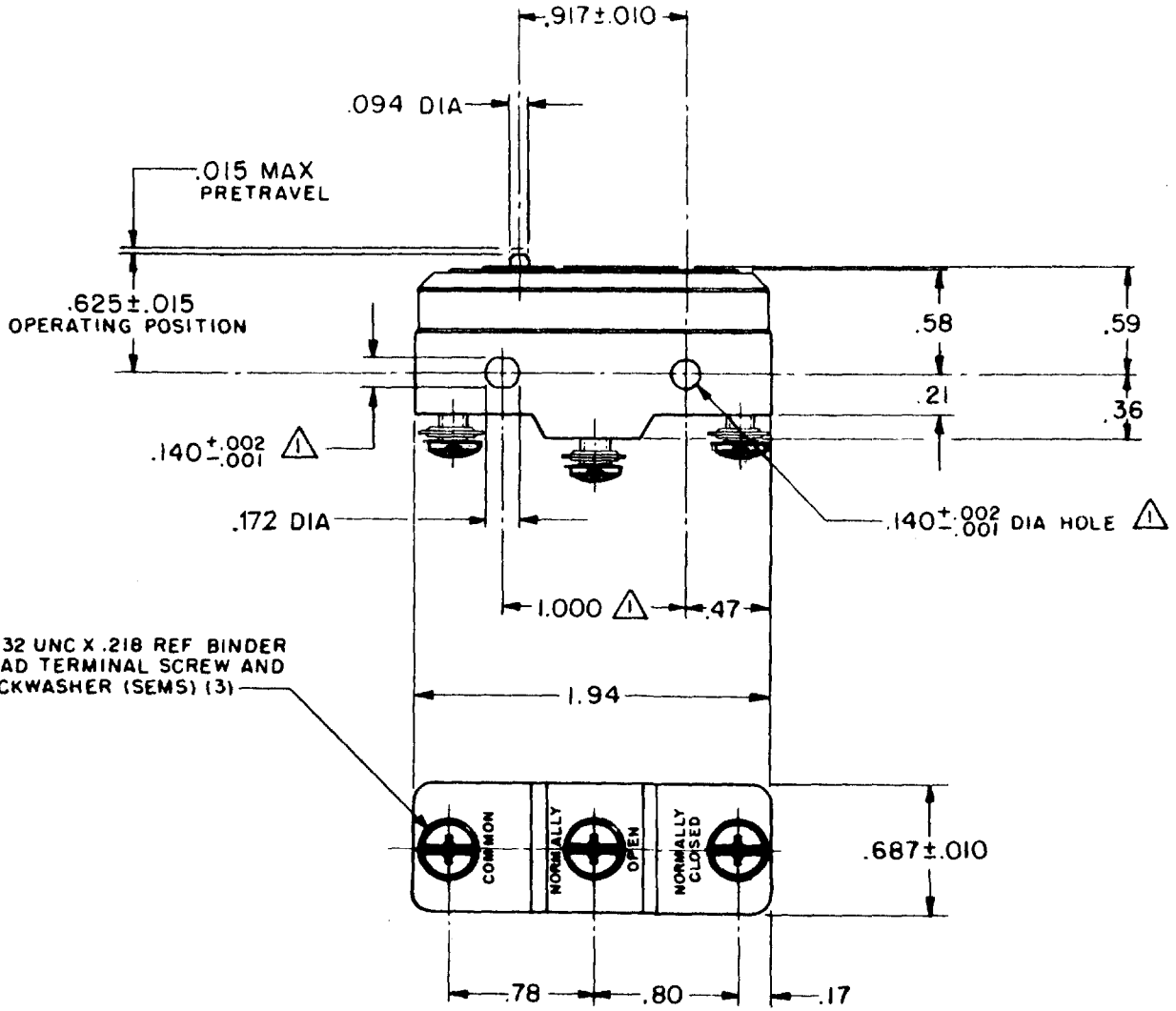
14 JUN 63

L.S.D

22 APRIL 63

REVISIONS

A	CO17410	G C H	22 APRIL 63
B	CO26678	R E R	1 DEC 69
C	CO-89351-D	J W B	18 JUL 91
D	CO-77589	K D R	29 MAR 94
E	CO93346	DLT	4 SEP 98



NOTE
 ▲ - MOUNTING HOLES WILL ACCEPT PINS OR SCREWS OF $.139$ MAX DIA ON $1.000 \pm .002$ CENTERS

THIS DRAWING COVERS A PROPRIETARY ITEM AND IS THE PROPERTY OF MICRO SWITCH, A DIVISION OF MINNEAPOLIS-HONEYWELL REGULATOR CO. THIS DRAWING IS NOT TO BE COPIED OR USED WITHOUT THE APPROVAL OF MICRO SWITCH.

CHARACTERISTICS	ELECTRICAL DATA	SCALE FULL
OPERATING FORCE ----- 9 - 13 OZ	CONTACT ARRANGEMENT S P D T	DO NOT SCALE PRINT
RELEASE FORCE ----- 4 OZ MIN	UNDERWRITERS' LAB. INC. LISTED RATING	UNLESS OTHERWISE NOTED
DIFFERENTIAL TRAVEL ----- .0004 - .0020	-L96- 15 A - 125, 250, OR 480 VAC	DIMENSIONS ARE IN INCHES
OVERTRAVEL ----- .005 MIN	1/2 A - 125 VDC; 1/4 A - 250 VDC	TOLERANCES ARE:
	1/8 HP - 125 VAC, 1/4 HP - 250 VAC	ONE PLACE (.0) $\pm .030$
	-L288-	TWO PLACE (.00) $\pm .015$
	-L306- 16A 250V T85 5E4	THREE PLACE (.000) $\pm .005$
		ANGLES \pm
		WEIGHT .065 LB MAX

FORMTEK
FO-90378

DRAWN
G C H