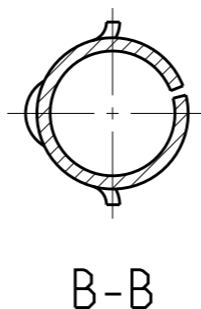
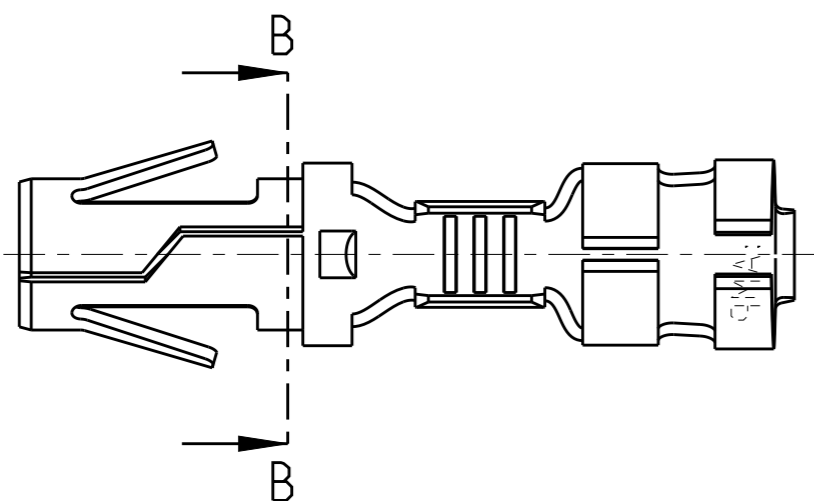
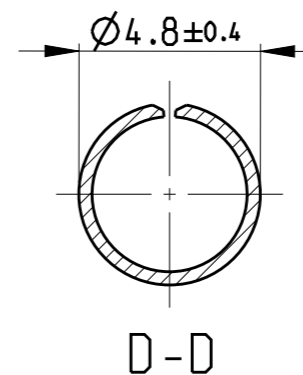
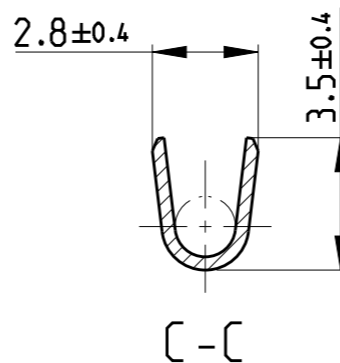
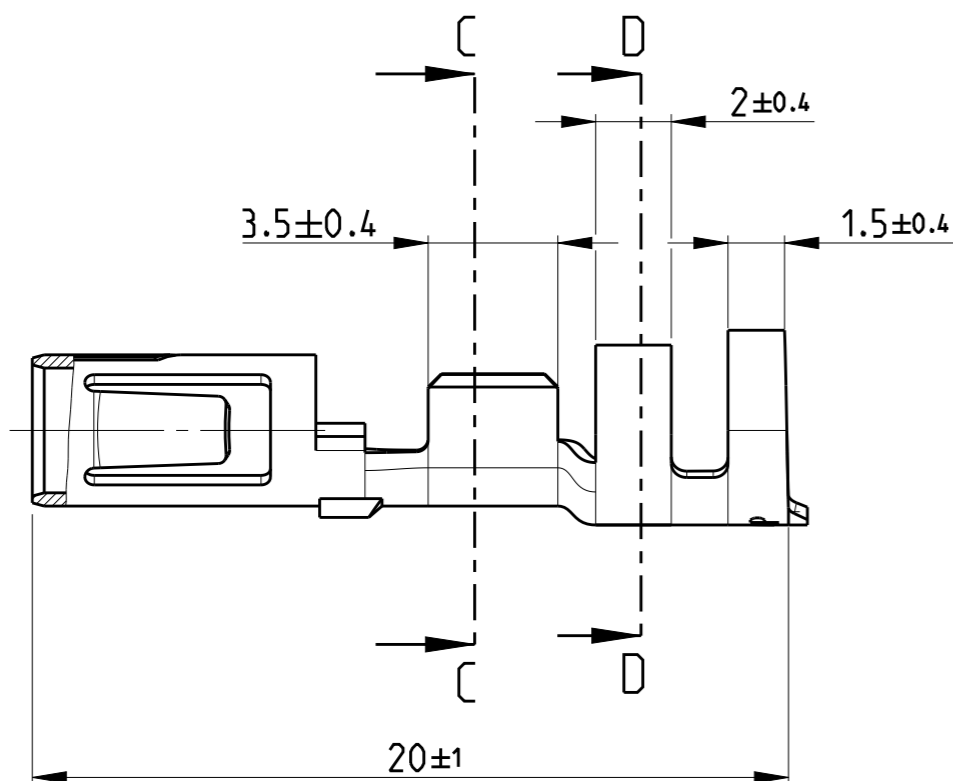


THIS DRAWING IS UNPUBLISHED. RELEASED FOR PUBLICATION 2008
© COPYRIGHT 2008 BY - ALL RIGHTS RESERVED.

REVISIONS

P	LTR	DESCRIPTION	DATE	DWN	APVD
Y		New drawing released	21NOV2008	J.S	P.E.G
Y1		REVISED PER ECO-10-000445	06FEB10	KK	HMR
Y2		REVISED PER ECR-20-005051	30OCT2020	SS	VS



Terminal Conductor: FLK-Cable
Conductor: F-Crimp
Insulation: F-Crimp

Cross section in mm ²		0.50	0.75	1.00	1.50	2.00	2.50	3.00	4.00	6.00
Single connection										
0.50	X	X	X	X	X					
0.75	X	X	X	X						
1.00	X	X	X	X						
1.50	X	X								
2.00										
2.50										
3.00										
4.00										
6.00										

Note 1 OBSOLETE PARTS: OBSOLETE C IS STREAMLINING PER D.RENAUD/D.SINISI

1	OBSOLETE	— Plain —	Phosphor Bronze	925661-9
		Gold over Ni.	Phosphor Bronze	925661-7
		Gold over Ni.	Phosphor Bronze	925661-6
1	OBSOLETE	— Plain —	Phosphor Bronze	925661-4
		Silver	Phosphor Bronze	925661-3
		Pre-tin	Phosphor Bronze	925661-2
		Pre-tin	Brass	925661-1
		Finish	Material	Part no.

925661-8 strip free
Wire size range: 0.5-2.0 mm²

THIS DRAWING IS A CONTROLLED DOCUMENT.

DIMENSIONS:	TOLERANCES UNLESS OTHERWISE SPECIFIED:
mm	
	0 PLC ±0.2
	1 PLC ±0.2
	2 PLC ±0.2
	3 PLC ±0.2
	4 PLC ±0.2
	ANGLES ±1° 30'
MATERIAL	FINISH
see table material_2	see table finish_spec_2

DWN	J. Salo	21NOV2008
CHK	R. Sole	21NOV2008
APVD	P.F. Grassano	21NOV2008
PRODUCT SPEC	-	-
APPLICATION SPEC	-	-
WEIGHT	-	-
CUSTOMER DRAWING		



NAME .140 DIA SOCKET			
-			
-			
SIZE	CAGE CODE	DRAWING NO	RESTRICTED TO
A3	-	C-925661	
SCALE 5:1		SHEET 1 OF 1	REV Y2