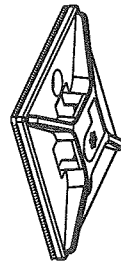
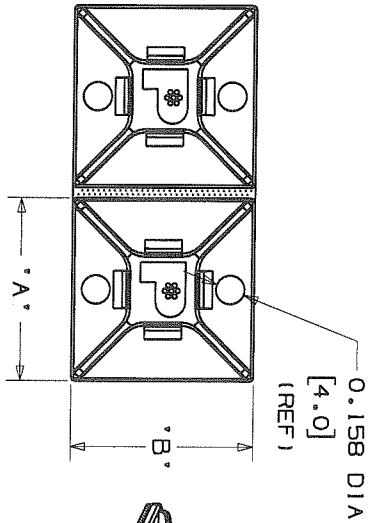


THIS COPY IS PROVIDED ON A RESTRICTED BASIS AND IS NOT TO BE USED IN ANY WAY DETRIMENTAL TO THE INTERESTS OF PANDUIT CORP.

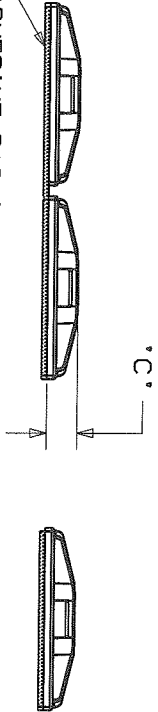
PANDUIT PART NUMBER*	USE WITH THESE CABLE TIE CROSS SECTIONS			WEIGHT lbs/100 pcs (g)/100 pcs
	DIMENSION			
ABM25-A	.A'	.B'	.C'	0.23 (107)
MINIATURE INTERMEDIATE STANDARD	1.00 (25.4)	1.00 (25.4)	.165 (4.2)	



NO WARRANTY, EXPRESSED OR IMPLIED, IS MADE BY PANDUIT WITH RESPECT TO ADHESIVE BOND PERFORMANCE. AMONG OTHER THINGS, THE CONDITIONS UNDER WHICH THESE MOUNTS MAY BE APPLIED ARE BEYOND PANDUIT'S CONTROL.

TO APPLY MOUNTS:

1. REMOVE MOUNT FROM THE PROTECTIVE LINER.
2. PLACE IN DESIRED LOCATION.
3. APPLY PRESSURE TO TOP SURFACE OF MOUNT.



ADHESIVE BACKING:
PRESSURE SENSITIVE FOAM TAPE
0.04(1.0) THICK WITH PROTECTIVE
LINER. MOUNT IS DESIGNED TO
SUPPORT 0.5 LBS. (227g) MAX.
WEIGHT ON A CLEAN, DRY, SMOOTH,
GREASE-FREE SURFACE.

- NOTES:
- * 1. SEE CURRENT PRICE SHEET FOR PART NUMBER SUFFIX DESIGNATION FOR PACKAGE SIZE.
 2. MOUNTS PROVIDED IN STRIPS OF TWO FOR EASY REMOVAL FROM LINER.
 3. MOUNT HAS CONTINUOUS OPERATION TEMPERATURE OF 120°F (49°C).

DIMENSIONS IN BRACKETS ARE METRIC (mm)

DWG FILENAME/LAYERS: 603597HU_DC_GB0239CF/00B

PANDUIT CORP. TINLEY PARK, ILLINOIS

ABM25-A
ADHESIVE BACKED MOUNT

UNLESS OTHERWISE SPECIFIED,
DIMENSIONAL TOLERANCES ARE:
(.XX) ±0.02 (0.5) ANGLES ±5°

UNLESS OTHERWISE SPECIFIED,
ALL DIMENSIONS ARE GIVEN
IN INCHES, THIRD ANGLE PROJECTION.

REV	DATE	BY	CHK	DESCRIPTION	ECN	R	CUST	SUP	DWG TO	ABS	DWG NO.	DWG SIZE
00B	02/24/09	GDH		REVISED DRAWING FORMAT. ADDED DIMENSIONS IN TABLE	GB0239CF	00B			DATE 11/3/94		GB0239CF	A
9	3/3/05	JAD		REMOVE ABM25	GB0239CF	9			DRAWN BY MJK			
8	7/9/03	JAD		CHANGED TOLERANCE ON .203 AND .067 DIMENSION FROM .010 (.25) TO .015 (.381)	GB0239CF	8			MAT'L:			
7	5/27/03	JAD		CORRECTED WINDOW WIDTH DIMENSION	GB0239CF	7			DATE 11/3/94	ABS	GB0239CF	A