

CUSTOMER PRINT

PART NUMBER: W3282-1XPG-5XX(W)

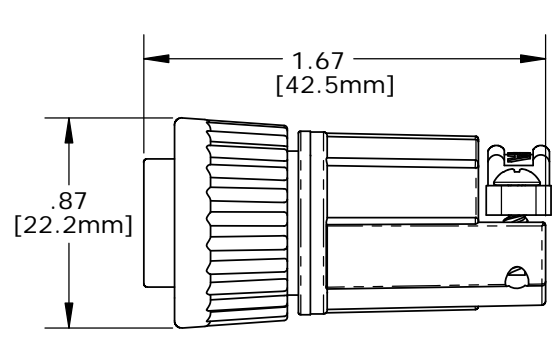
- NOTES:**
 1. PARTS TO BE BULK PACKED.
 2. SOLDER CONTACTS ARE PRESSED INTO CONNECTOR.
 ALL SOLDER CUPS ARE TO BE FACING TOP KEY.
 3. ALL DIMENSIONS ARE REFERENCE ONLY.
 DIMENSIONS IN BRACKET [] ARE METRIC.

KIT PART NO.	GROMMET SIZE TO FIT CABLE O.D.	DIA. "D"	KIT P/N	NO. OF CONTACTS
W3282-1XPG-518(W)	0.18 - 0.20 [4.6-5.1mm]	Ø0.77 [19.6mm]	W3282-10PG-5XX	(10) - #20
W3282-1XPG-521(W)	0.21 - 0.23 [5.3-5.8mm]	Ø0.77 [19.6mm]	W3282-11PG-5XX	(11) - #20
W3282-1XPG-524(W)	0.24 - 0.27 [6.1-6.8mm]	Ø0.77 [19.6mm]	W3282-12PG-5XX	(12) - #20
W3282-1XPG-528(W)	0.28 - 0.29 [7.1-7.4mm]	Ø0.77 [19.6mm]	W3282-10PG-5XXW	(10) - #20
W3282-1XPG-530(W)	0.30 - 0.32 [7.6-8.1mm]	Ø0.77 [19.6mm]	W3282-11PG-5XXW	(11) - #20
W3282-1XPG-535(W)	0.35 - 0.40 [8.9-10.2mm]	Ø0.83 [21.1mm]	W3282-12PG-5XXW	(12) - #20

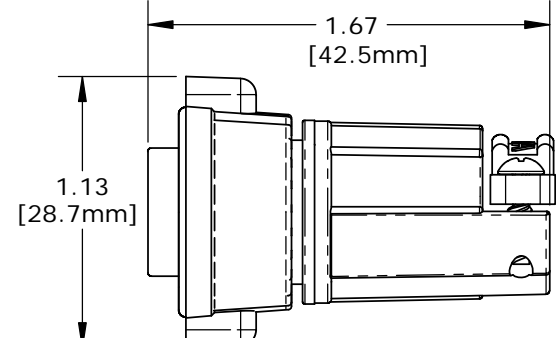
(WING COUPLING RING OPTION)
 NO. OF CONTACTS

ADD W SUFFIX FOR WINGED COUPLING RING OPTION
 W3282-1XPG-5XX(W)

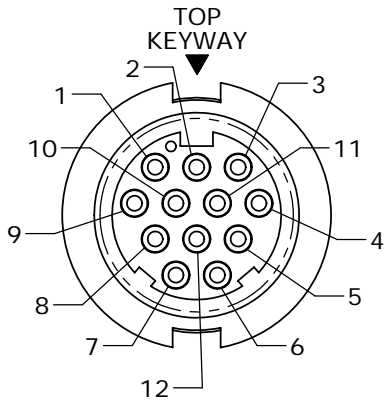
GROMMET SIZE SEE P/N LIST
 NO. OF CONTACTS



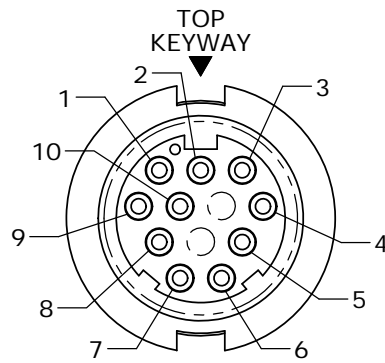
ASSEMBLED VIEW SHOWN WITH STANDARD COUPLING RING



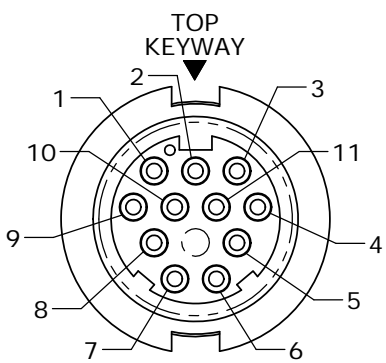
ASSEMBLED VIEW SHOWN WITH WING COUPLING RING



FACE VIEW W3282-12PG-5XX(W)



FACE VIEW W3282-10PG-5XX(W)

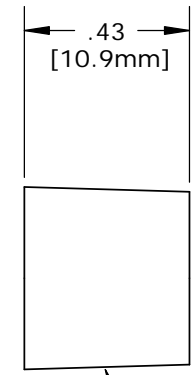
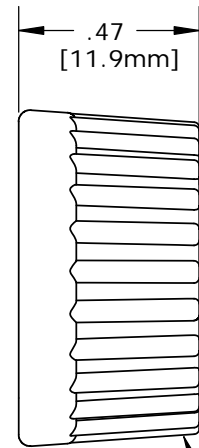


FACE VIEW W3282-11PG-5XX(W)

O-RING
 MAT'L: RUBBER, BLACK

CABLE INSERT, MALE
 MAT'L: UV THERMOPLASTIC, BLACK

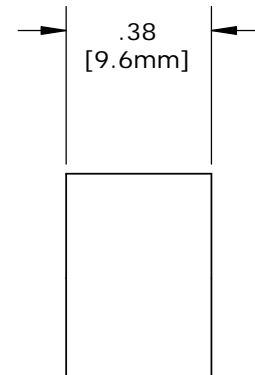
#20 PIN CONTACTS
 SOLDER CUP, GOLD PLATED
 SEE NOTE 2



GROMMET,
 MAT'L: RUBBER, BLACK
 FOR CABLE O.D.
 SEE TABLE

COUPLING RING
 MAT'L: UV THERMOPLASTIC, BLACK

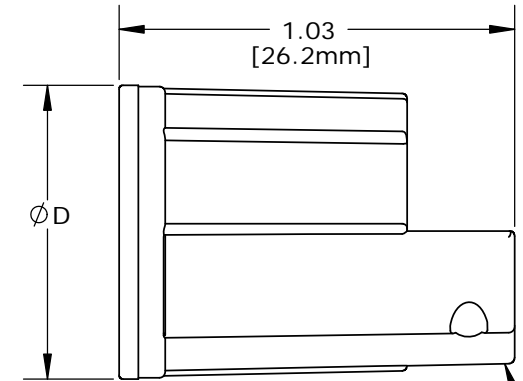
COUPLING RING, WINGED (OPTION)
 MAT'L: UV THERMOPLASTIC, BLACK



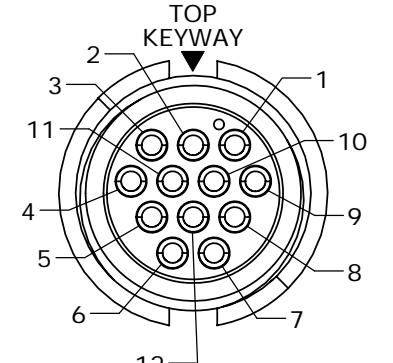
SLEEVE
 MAT'L: THERMOPLASTIC, BLACK

#4 HI/LO SCREW
 MAT'L: STAINLESS STEEL

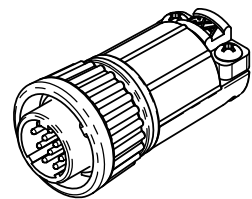
BACKSHELL STRAP
 MAT'L: UV THERMOPLASTIC, BLACK



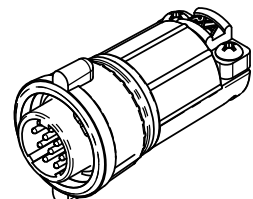
BACKSHELL
 MAT'L: UV THERMOPLASTIC, BLACK



WIRE VIEW



ASSEMBLED VIEW SHOWN WITH STANDARD COUPLING RING



ASSEMBLED VIEW SHOWN WITH WING COUPLING RING

CUSTOMER APPROVAL

THIS DOCUMENT CONTAINS CONFIDENTIAL INFORMATION PROPRIETARY TO CONXALL CORPORATION. ANY REPRODUCTION, DISCLOSURE, OR USE OF THIS DOCUMENT /INFORMATION IS EXPRESSLY PROHIBITED UNLESS AUTHORIZED IN WRITING BY CONXALL CORPORATION.

APPROVED BY: _____

DATE: _____

A	PAK	08/15/19	DRAWING CREATED & RELEASED PER DOR 10-2523JS-1	
REV.	INIT.	DATE	DESCRIPTION	
	PAK	10/01/14	ALL INFORMATION ILLUSTRATED IS THE PROPERTY OF "CONXALL CORPORATION". UNAUTHORIZED DUPLICATION OR DISTRIBUTION OF THIS DOCUMENT IS PROHIBITED.	
	CHECKED BY:		 601 E. WILDWOOD VILLA PARK, IL 60181	
	APPROVED BY:			
	SCALE	SIZE	SHEET	TITLE
	NTS	B	1 OF 1	#20 PIN CONTACTS (SOLDER), BACKSHELL CLAMP MULTI-CON-X, E-KEY, WEATHER RESISTANT STANDARD PRODUCT
	FILE:	DIRECTORY:	PART NUMBER:	REV
	W3282-1XPG-5XX	SLW	W3282-1XPG-5XX(W)	A

Mouser Electronics

Authorized Distributor

Click to View Pricing, Inventory, Delivery & Lifecycle Information:

[Switchcraft:](#)

[W3282-12PG-535](#)