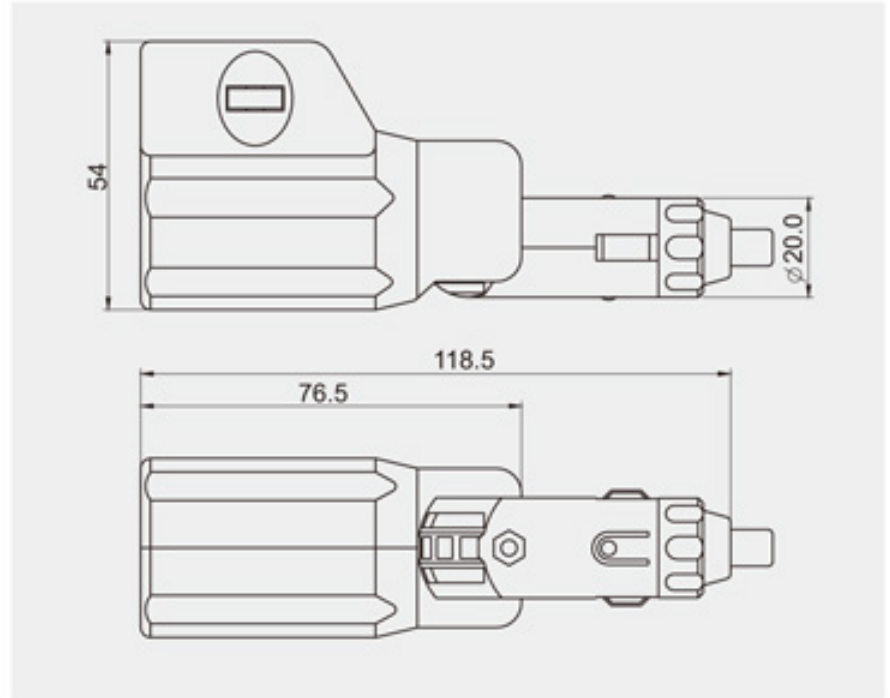
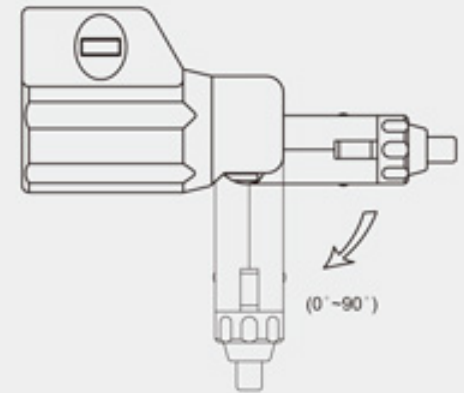


# A13-63



## FEATURES

- \* RATING: 10A 12V DC  
DC JACK RATING: 3A 12V DC.
- \* MATERIAL OF SOCKET  
Housing: ABS ( UL 94-HB ).  
Inner contact: nickel plated metal.  
Contact: nickel plated metal.
- \* MATERIAL OF PLUG  
Housing: phenolic ( UL 94V-1 ).  
Top contact: nickel plated meta.  
Spring contact: nickel plated spring steel.
- \* Lighter plug and socket with extension cord.
- \* A13-63A: With PVC wire.
- \* A13-63B: With PU coil wire.
- \* With 10A glass tube fuse for socket and another 2A mini blade fuse for jack.
- \* 0° ~ 90° adjustable plug.



## A13-63

ADAPTER CODE	FEATURES
<b>6 3</b> 	<ul style="list-style-type: none"> <li>* Power adapter.</li> <li>* With 10A glass tube fuse for socket and another 2A mini blade fuse for jack.</li> <li>* 0° ~ 90° 4 positions adjustable plug.</li> </ul>
<b>6 3 A</b> 	<ul style="list-style-type: none"> <li>* Power adapter with extension wire.</li> <li>* Wire 24 AWG 150cm (5ft). with 5.5×2.5 and 3.4×1.3 angle plug.</li> <li>* With 10A glass tube fuse for socket and another 2A mini blade fuse for jack.</li> <li>* 0°~90° 4 positions adjustable plug.</li> </ul>
<b>6 3 B</b> 	<ul style="list-style-type: none"> <li>* Power adapter with extension wire.</li> <li>* Wire 24 AWG 210cm(8.26ft) coil wire with 5.5 × 2.5 and 3.4 × 1.3 angle plug.</li> <li>* With 10A glass tube fuse for socket and another 2A mini blade fuse for jack.</li> <li>* 0°~90° 4 positions adjustable plug.</li> </ul>