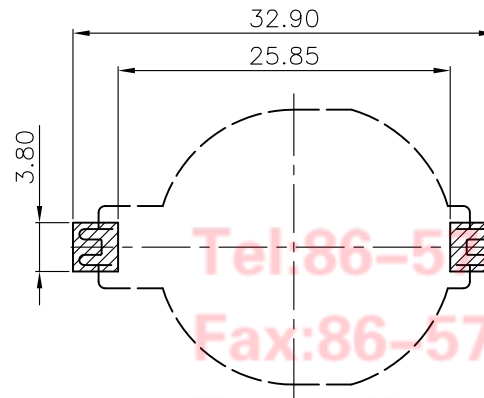
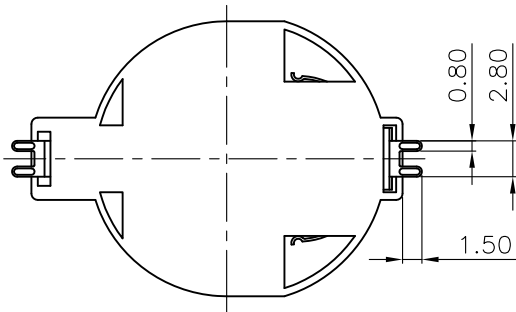
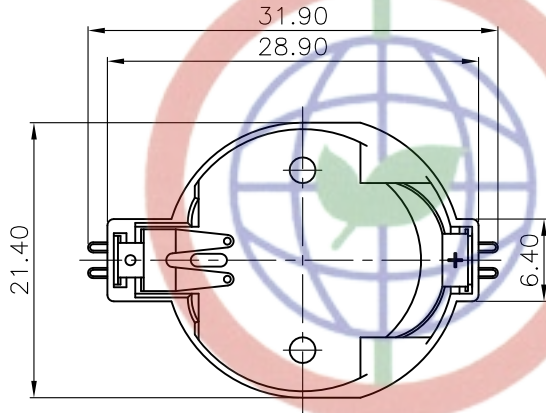


REV.	DESCRIPTION	DRAWN	CHECKED	APPROVED
A	NEW RELEASE	YCH 08/07/12'	~	



NOTE:

1. Materials:

- 1.1 Base: Thermoplastic, UL94 V-0, Color of black.
Temp. Range: -40°C to +105°C.
- 1.2 Positive & Negative Contacts: Copper Alloy.

2. Specification:

- 2.1 Dielectric Withstanding Voltage: AC 500V AC.
- 2.2 Insulation Resistance: 1000MΩ min.
- 2.3 Contact Resistance: 100mΩ Max.

3. Part Number Code:

DS1092-13 - X X X

- Housing material:
S: PPS
- Contact plating:
8: Gold Flash
- Housing color:
N: Brown

Recommend PCB Layout
Tolerance=±0.05

Tel: 86-574-63508787
Fax: 86-574-63510817

E-mail: sale@zhenqin.com.cn

Http://www.connfly.com

GENERAL TOLERANCE		ANGLE TOLERANCE		PROJECTION		TITLE	2032 Lithium Coin Cell Battery Holders Horizontal insert SMT type	
X.	±0.60	X.	±5°	UNITS	mm			
.X	±0.38	.X	±3°	SHEET SIZE	A4	SERIES	DS1092-13 Series	
.XX	±0.25	.XX	±2°			晨翔电子有限公司 CONNFLY CONNFLY ELECTRONIC CO. LTD		
DRAWING TYPE		CUSTOMER						
SCALE	1:1	SHEET	10F1					
DRAWING NO.		C-DS1092-13-XXX-A						