

PRODUCTS DATASHEET

M.Diazed/Neozed Screw Type Fuse



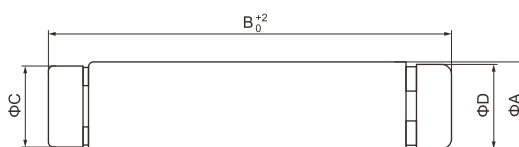
Overview

1. GB13539 and IEC60269 conformed. TUV certification aquired
2. Rated Voltage: AC400V、500V、690V、1140V、DC250V、500V;
3. Function Class: gG/gL;
4. gG/gL is used for cable and wire protection and electrical equipment protection;
5. Rated Breaking Capacity: AC50kA、DC8kA;
6. AC660V、1140V for mine electrical and cable wire system protection;
7. Please consult the technical department for the power loss and I^2t data
8. Please consult the marketing department for the weight and package number

RL5 Series Screw Type Fuse(For Mining)

Technical Parameter: Breaking Capacity: AC1140V/50KA, AC660V/50KA, Function Class: gG/gL

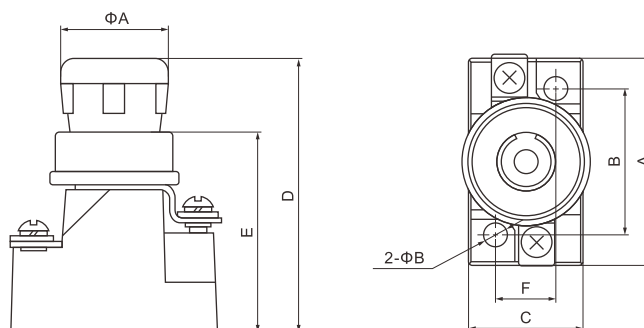
No.	Type	Voltage(V)	Current(A)	Size(mm)			
				ϕA	B	ϕC	ϕD
570	RL5-40	AC660	2~40	12.6	49	11.5	12
571	RL5-25	AC1140	2~25	12.6	75	11.5	12



RL5 link

Technical Parameter: Breaking Capacity: AC1140V/50KA, Function Class: gG/gL

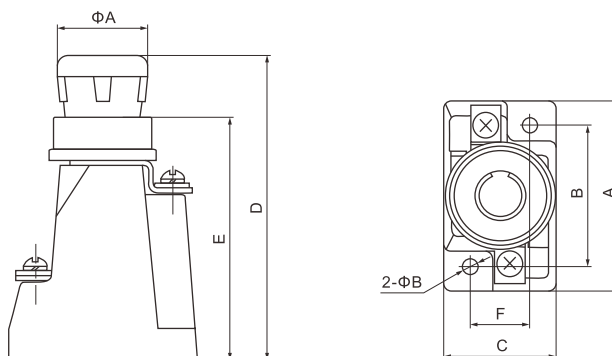
No.	Type	Voltage(V)	Current(A)	Size(mm)							
				A	B	C	D	E	F	ϕA	ϕB
572	RL5-40	AC660	40	58	41	32	77	56	17	31	6.5



RL5-25 base

Technical Parameter: Breaking Capacity: AC660V/50KA, Function Class: gG/gL

No.	Type	Voltage(V)	Current(A)	Size(mm)							
				A	B	C	D	E	F	ϕA	ϕB
573	RL5-25	AC1140	25	63	47	37	100	81	20	31	5

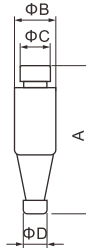


RL5-40 base

RL6(DI~IV)Series Screw Type Fuse

Technical Parameter: Breaking Capacity: AC500V/50KA, Function Class: gG/gL

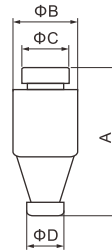
No.	Type	Voltage(V)	Current (A)	Size (mm)			
				A	φ B	φ C	φ D
574	RL6-16 (D I)	AC500	2-6	50	12.5	11.3	6
575	RL6-16 (D I)	AC500	10	50	12.5	11.3	8
576	RL6-16 (D I)	AC500	16	50	12.5	11.3	10
577	RL6-16 (D I)	AC500	20	50	12.5	11.3	12
578	RL6-16 (D I)	AC500	25	50	12.5	11.3	12



RL6-16 (D I)

Technical Parameter: Breaking Capacity: AC500V/50KA, DC500V/8KA, Function Class: gG/gL

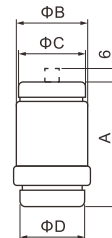
No.	Type	Voltage(V)	Current (A)	Size (mm)			
				A	φ B	φ C	φ D
579	RL6-25 (D II)	AC500, DC500	2-6	50	21	13	6
580	RL6-25 (D II)	AC500, DC500	10	50	21	13	8
581	RL6-25 (D II)	AC500, DC500	16	50	21	13	10
582	RL6-25 (D II)	AC500, DC500	20	50	21	13	12
583	RL6-25 (D II)	AC500, DC500	25	50	21	13	14
584	RL6-63 (DIII)	AC500, DC500	35	50	27	20	16
585	RL6-63 (DIII)	AC500, DC500	50	50	27	20	18
586	RL6-63 (DIII)	AC500, DC500	63	50	27	20	20



RL6-25 (D II) 、RL6-63 (DIII)

Technical Parameter: Breaking Capacity: AC500V/50KA, DC500V/8KA, Function Class: gG/gL

No.	Type	Voltage(V)	Current (A)	Size (mm)			
				A	φ B	φ C	φ D
587	RL6-100 (DIV)	AC500, DC500	80-100	56	34	32	32



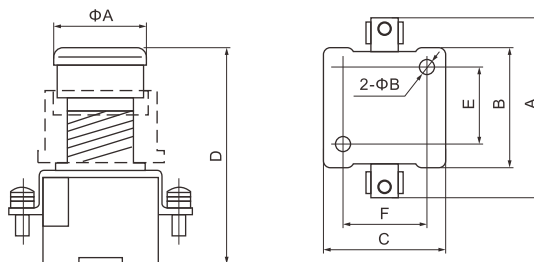
RL6-100 (DIV)

RL6(DI~IV)Series Fuse Mount



Technical Parameter: Breaking Capacity: AC500V/50KA, Function Class: gG/gL

No.	Type	Voltage (V)	Current (A)	Size (mm)							
				A	B	C	D	E	F	ϕA	ϕB
588	RL6-16(D I)	AC500V	25	55	32	30	80	26	22	26	5

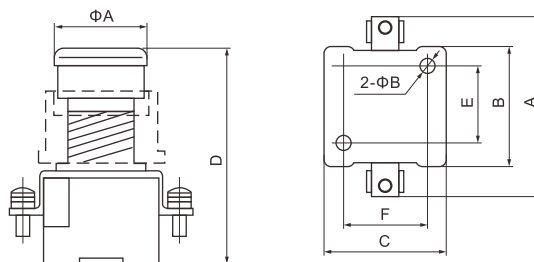


RL6-16(D I)



Technical Parameter: Breaking Capacity: AC500V/50KA, DC500V/8KA, Function Class: gG/gL

No.	Type	Voltage (V)	Current (A)	Size (mm)							
				A	B	C	D	E	F	ϕA	ϕB
589	RL6-25(D II)	AC500V, DC500	25	65	39	35	80	30	27	38	5
590	RL6-63(D III)	AC500V, DC500	63	80	48	44	82	37	34	48	5
591	RL6-100(D IV)	AC500V, DC500	100	121	76	66	104	55	45	70	8.5

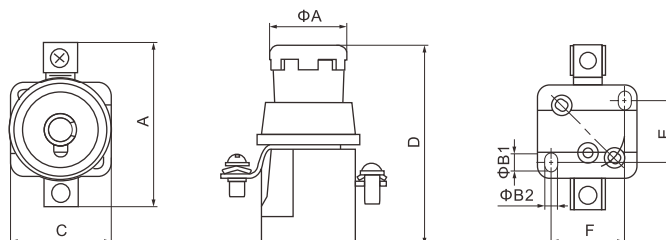


RL6-25(D II)、RL6-63(D III)、RL6-100(D IV)



Technical Parameter: Breaking Capacity: AC500V/50KA, Function Class: gG/gL

No.	Type	Voltage (V)	Current (A)	Size (mm)							
				A	C	D	E	F	ϕA	$\phi B1$	$\phi B2$
592	RL6B-30(D I)	AC500	30	58	36	70	22	25.5	27	6	4.5



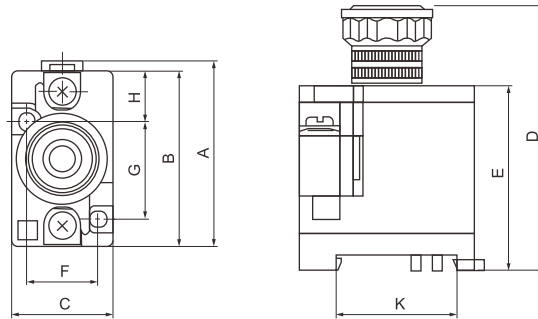
RL6B-30(D I)

RL6(DI~III)Series Fuse Mount



Technical Parameter: Breaking Capacity: AC500V/50KA, Function Class: gG/gL

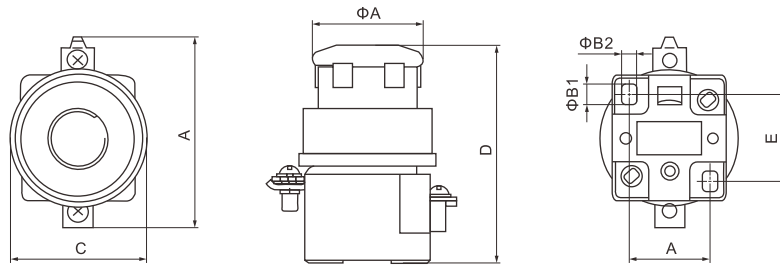
No.	Type	Voltage (V)	Current (A)	Size (mm)								
				A	B	C	D	E	F	G	H	K
593	RL6D-30 (DI)	AC500	30	55	52	30	78	55	21	29	15	35



RL6D-30

Technical Parameter: Breaking Capacity: AC500V/50KA, DC500V/8KA, Function Class: gG/gL

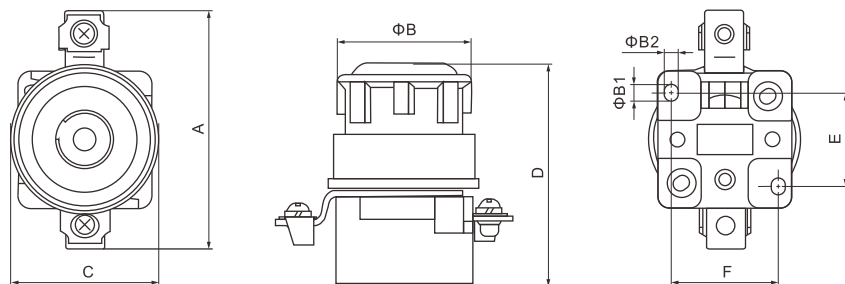
No.	Type	Voltage (V)	Current (A)	Size (mm)							
				A	C	D	E	F	ϕB	$\phi B1$	$\phi B1$
594	RL96-25 (DII)	AC500, DC500	25	63.5	46	73	29	27	38	7	5



RL96-25

Technical Parameter: Breaking Capacity: AC500V/50KA, DC500V/8KA, Function Class: gG/gL

No.	Type	Voltage (V)	Current (A)	Size (mm)							
				A	C	D	E	F	ϕB	$\phi B1$	$\phi B1$
595	RL96-63 (DIII)	AC500, DC500	63	85	54	80	33.5	38	48	6	5



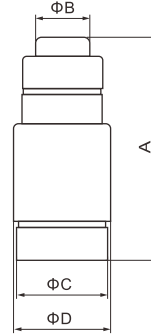
RL96-63

RL8(D01~D03)Series Screw Type Fuse

Technical Parameter: Breaking Capacity: AC400V/50KA, DC250V/8KA, Function Class: gG/gL



No.	Type	Voltage(V)	Current (A)	Size (mm)			
				A	φ B	φ C	φ D
596	RL8-16 (D01)	AC400, DC250	2-16	36	5.9	10.3	10.5
597	RL8-63 (D02)	AC400, DC250	20-63	36	9.8	14.3	15
598	RL8-100 (D03)	AC400, DC250	80-100	43	16	21	22



Technical Parameter: Breaking Capacity: AC500V/50KA, DC250V/8KA, Function Class: gG/gL



No.	Type	Voltage(V)	Current (A)	Size (mm)							
				A	B	C	D	E	F	G (TH)	φ A
599	RL8-16 (D01)	AC400, DC250	2~16	60	50	27	60	50	20	35	25
600	RL8-63 (D02)	AC400, DC250	20~63	65	55	30	65	55	22	35	25
601	RL8-100 (D03)	AC400, DC250	80~100	92	82	44	81	73	31	35	39

