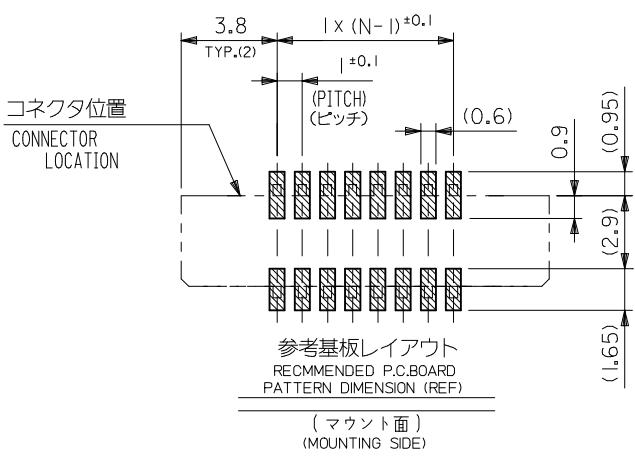


| | | | | | |
|------|-------|------|-----|-----------------------------------|---------|
| 36.6 | 34.85 | 31.2 | 29 | 52610-3033 | 30 |
| 34.6 | 32.85 | 29.2 | 27 | 52610-2833 | 28 |
| 32.6 | 30.85 | 27.2 | 25 | 52610-2633 | 26 |
| 31.6 | 29.85 | 26.2 | 24 | 52610-2533 | 25 |
| 30.6 | 28.85 | 25.2 | 23 | 52610-2433 | 24 |
| 29.6 | 27.85 | 24.2 | 22 | 52610-2333 | 23 |
| 28.6 | 26.85 | 23.2 | 21 | 52610-2233 | 22 |
| 27.6 | 25.85 | 22.2 | 20 | 52610-2133 | 21 |
| 26.6 | 24.85 | 21.2 | 19 | 52610-2033 | 20 |
| 25.6 | 23.85 | 20.2 | 18 | 52610-1933 | 19 |
| 24.6 | 22.85 | 19.2 | 17 | 52610-1833 | 18 |
| 23.6 | 21.85 | 18.2 | 16 | 52610-1733 | 17 |
| 22.6 | 20.85 | 17.2 | 15 | 52610-1633 | 16 |
| 21.6 | 19.85 | 16.2 | 14 | 52610-1533 | 15 |
| 20.6 | 18.85 | 15.2 | 13 | 52610-1433 | 14 |
| 19.6 | 17.85 | 14.2 | 12 | 52610-1333 | 13 |
| 18.6 | 16.85 | 13.2 | 11 | 52610-1233 | 12 |
| 17.6 | 15.85 | 12.2 | 10 | 52610-1133 | 11 |
| 16.6 | 14.85 | 11.2 | 9 | 52610-1033 | 10 |
| 15.6 | 13.85 | 10.2 | 8 | 52610-0933 | 9 |
| 14.6 | 12.85 | 9.2 | 7 | 52610-0833 | 8 |
| 13.6 | 11.85 | 8.2 | 6 | 52610-0733 | 7 |
| 12.6 | 10.85 | 7.2 | 5 | 52610-0633 | 6 |
| 11.6 | 9.85 | 6.2 | 4 | 52610-0533 | 5 |
| D | (C) | B | (A) | EMBOSSED PACKAGE ORDER No. オーダー番号 | 極数 CKT. |

CONNECTOR SERIES NO. : 52610-**22

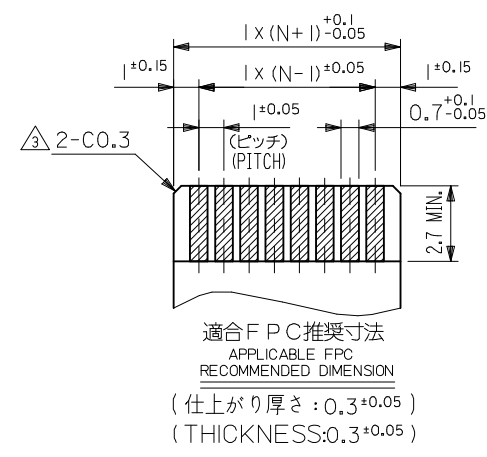
| | | | | | | | | |
|---|--|------------------------|---|--------------------------|--------------------|--|------------------------|--|
| REVISED EC NO. J2014-0096 DRW: AISHI 2013/07/18 CHK: KTAKAHASHI 2013/07/18 APPR: YNOGAWA 2013/08/19 | GENERAL TOLERANCES (UNLESS SPECIFIED) | | DIMENSION STYLE MM ONLY | | SCALE --- | DESIGN UNITS METRIC | THIRD ANGLE PROJECTION | |
| | 10 UNDER ±0.2 | 10 OVER 30 UNDER ±0.25 | 30 OVER ±0.3 | DRAWN BY NASANUMA | DATE 2012/09/04 | TITLE 1.0 FPC CONN ZIF S/T HOUSING ASSY | | |
| | ANGULAR ±3 ° | | | CHECKED BY KTAKAHASHI | DATE 2012/09/04 | molex | | |
| | DRAFT WHERE APPLICABLE MUST REMAIN WITHIN DIMENSIONS | | | APPROVED BY KMORIKAWA | DATE 2013/03/15 | | | |
| SIZE A3 | | | THIS DRAWING CONTAINS INFORMATION THAT IS PROPRIETARY TO MOLEX INCORPORATED AND SHOULD NOT BE USED WITHOUT WRITTEN PERMISSION | | | | | |



マスク厚 : 120 μm
 マスク開口率 : 100%
 SCREEN THICKNESS : 120 MICROMETER
 SCREEN OPEN RATIO : 100%

注記 (NOTES) :

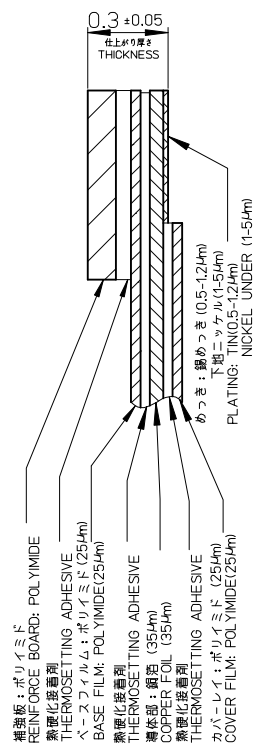
- 材質 MATERIAL
 ハウジング:ポリアミド(PA)、ナチュラル(白色)、ガラス充填、UL94V-0
 HOUSING:POLYAMIDE, NATURAL(WHITE), GLASS FILLED, UL94V-0
 アクチュエータ:ポリフェニレンサルファイドPPS、ナチュラル(BROWN)、GLASS FILLED、UL94V-0
 ACTUATOR:POLYPHENYLENE SULFIDE、ナチュラル(茶色)、ガラス充填、UL94-V0
 ターミナル:リン青銅(t=0.32)
 TERMINAL:PHOSPHOR BRONZE(t=0.32)
- めっき仕様 PLATING
 ターミナル TERMINAL
 錫銀ビスマスめっき(1.0 μm以上)
 TIN SILVER BISMUTH PLATING (1.0 MICROMETER MINIMUM)
 下地:ニッケルめっき(1.0 μm以上)
 UNDER PLATE:NICKEL PLATING (1.0 MICROMETER MINIMUM)
- △3 R0.3はFPCの導体部にかからないこと
 R0.3 MUST NOT BE OVERLAPPED TO PATTERN OF FPC.
- エンボステープ梱包時は、アクチュエータがロックした状態とする。
 IN THE PACKAGE, ACTUATOR SHOULD BE LOCKED.
- △5 偶数極に適用。
 APPLY FOR EVEN CIRCUIT.
- △6 ソルダータール半田付け面のズレ量は、基準面Eに対し、上方向0.05MAX.、下方向0.15MAX.とする。
 MISALIGNMENT OF SOLDER TAILS FROM E UPPER DIRECTION 0.05 MAX., LOWER DIRECTION 0.15 MAX.
- △7 ソルダータールの平均度は0.1mm以下とする。
 SOLDER TAIL COPLANARITY IS 0.1MM MAXIMUM.
- ELV及びRoHS適合品
 ELV AND ROHS COMPLIANT



FPCについて ABOUT FPC

打ち抜き方向は導体側から補強板側を推奨します。
 導体部については軟烙銅35 μmまたは50 μmを推奨します。
 補強フィルム材質はポリイミドを推奨します。ベースフィルムは25 μmを推奨します。
 接着剤は熱硬化接着剤を推奨します。
 尚、接着剤の接点部への付着は導通不良の原因になりますので、染み出しが無い様、お願い致します。

RECOMMENDED PUNCHING DIRECTION: FROM CONDUCTOR SIDE TO STIFFENER SIDE
 RECOMMENDED CONDUCTOR SPEC: SOFT COPPER FOIL
 RECOMMENDED CONDUCTOR THICKNESS: 35 MICROMETER OR 50 MICROMETER
 RECOMMENDED STIFFENER MATERIAL: POLYIMIDE
 RECOMMENDED BASE FILM THICKNESS: 25 MICROMETER
 RECOMMENDED ADHESIVE: THERMOSETTING ADHESIVE
 NOTE: PLEASE PUT APPROPRIATE AMOUNT OF ADHESIVE ON ADHEREND BECAUSE THERE IS A POSSIBILITY THAT THE EXTRA ADHESIVE CAUSES THE DEFECT IN ELECTRICAL CONTINUITY.

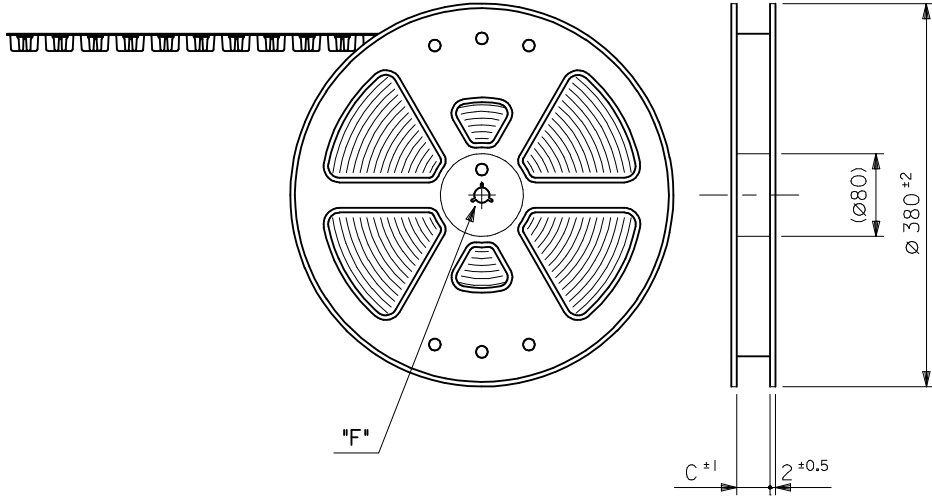


| | | | | | | | | | |
|--|-------------|---|---------------------------|------------------------------|--|--|------------------------|--|--|
| SEE SHEET 1 OF 2 EC NO: J2014-0096 DRW: AISHI 2013/07/18 CHKD: KAKAHASHI 2013/07/18 APPR: YNOGAWA 2013/08/19 | DESCRIPTION | GENERAL TOLERANCES (UNLESS SPECIFIED) | | DIMENSION STYLE MM ONLY | | SCALE --- | DESIGN UNITS METRIC | THIRD ANGLE PROJECTION | |
| | | 10 UNDER | ± 0.2 | DRAWN BY NASANUMA | DATE 2012/09/04 | TITLE 1.0 FPC CONN ZIF S/T HOUSING ASSY | | molex SD-52610-048 SHEET NO. 2 OF 2 | |
| | | 10 OVER 30 UNDER | ± 0.25 | CHECKED BY KTAKAHASHI | DATE 2012/09/04 | | | | |
| | | 30 OVER | ± 0.3 | APPROVED BY KMORIKAWA | DATE 2013/03/15 | | | | |
| B | REV | ANGULAR ± 3 ° DRAFT WHERE APPLICABLE MUST REMAIN WITHIN DIMENSIONS | MATERIAL NO. SEE CHART | DOCUMENT NO. SD-52610-048 | THIS DRAWING CONTAINS INFORMATION THAT IS PROPRIETARY TO MOLEX INCORPORATED AND SHOULD NOT BE USED WITHOUT WRITTEN PERMISSION | | | | |

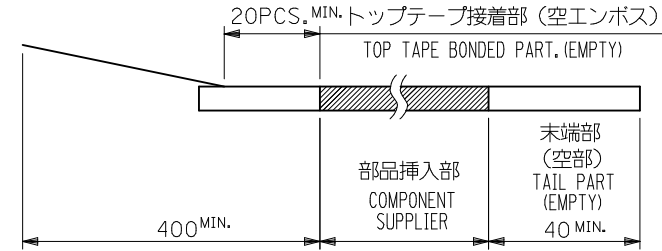
NOTES

- 52610-***22のアクチュエータはハウジング内に押し下げた状態とする。
詳細寸法については図面SD-52610-048をご参照ください。
ACTUATOR OF PART NO. 52610-***22 SHULD BE LOCKED.
RE DETAILED DIMENSIONS, SEE SD-52610-048
- 梱包数量：1000個/リール
NUMBER OF CONNECTORS : 1000PCS/REEL
- リードテープ長さ
LEAD TAPE LENGTH

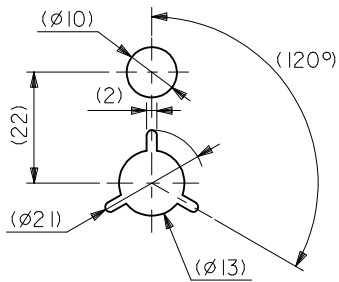
引き出し方向
PULL OUT
DIRECTION



引き出し方向
PULL OUT
DIRECTION

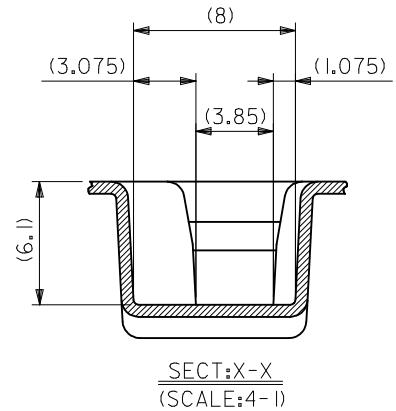
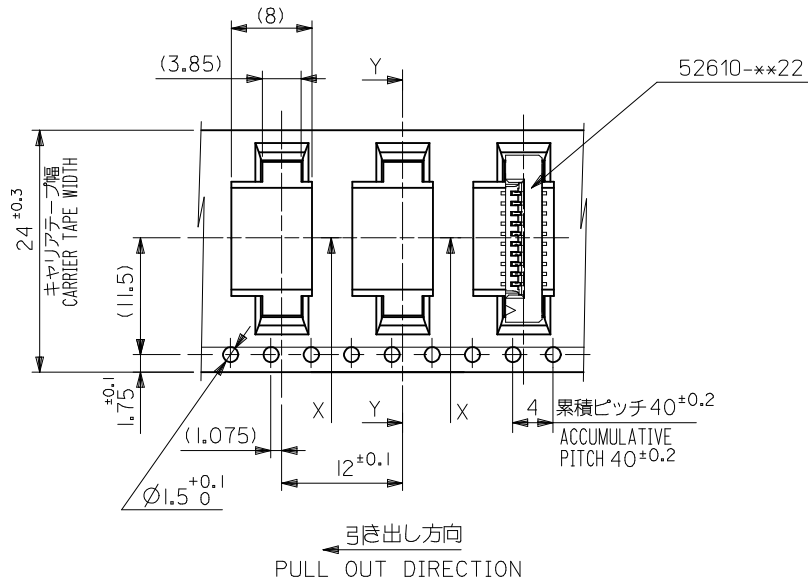
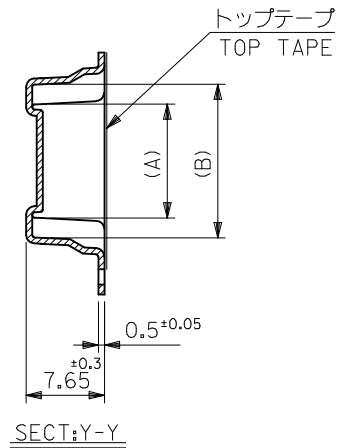


- カバーテープの剥離強度については、IEC60286-3に準拠
COVER TAPE PEEL FORCE IS DEFINED BY IEC60286-3.
- 材料(MATERIAL)
キャリアテープ (CARRIER TAPE) : ポリプロピレン (POLYPROPYLENE)
トップテープ (TOP TAPE) : PET, PE, PEF
リール(REEL) : ポリスチレン(PS) <リサイクル材を含む>
POLYSTYREN(PS) <RECYCLE MATERIAL CONTAINED>
- ELV及びRoHS適合品
ELV AND RoHS COMPLIANT



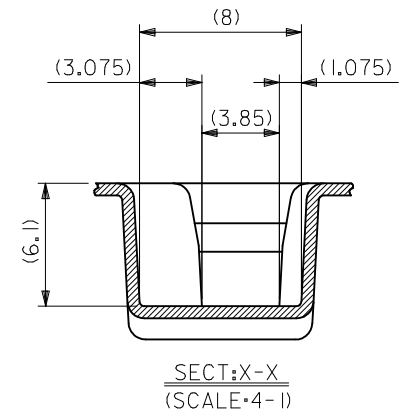
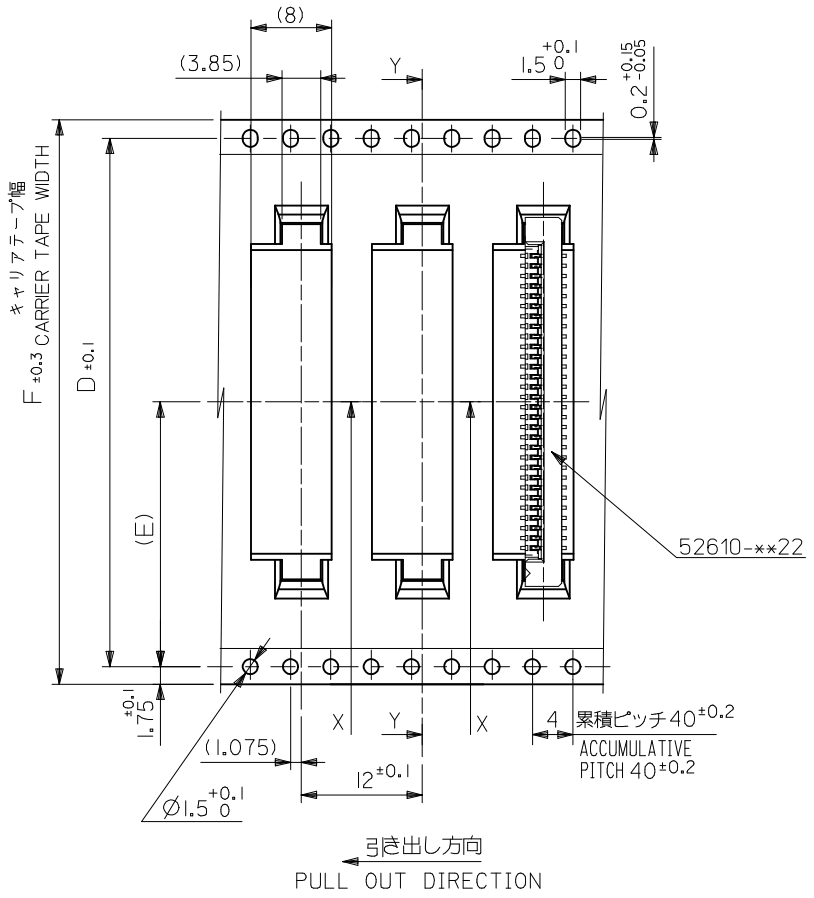
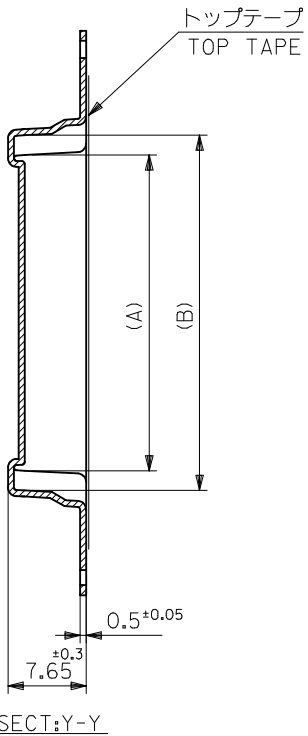
DETAIL "F"

| | | | | | | | |
|---|---------------------------------------|---|----------------------------|------------------------------|---|------------------------|------------------------|
| REVISED EC NO: J2014-0352 DRWN:NASUNUMA 2013/08/26 CHK'D:KAKAHASHI 2013/08/27 APPR:YNOGAWA 2013/08/30 | GENERAL TOLERANCES (UNLESS SPECIFIED) | | DIMENSION STYLE MM ONLY | | SCALE --- | DESIGN UNITS METRIC | THIRD ANGLE PROJECTION |
| | 10 UNDER | ± --- | DRAWN BY NASANUMA | DATE 2012/09/05 | TITLE EMBOSS TAPE PACKAGED FOR 1.0 FPC CONN ZIF S/T HOUSING ASSY | | |
| | 10 OVER 30 UNDER | ± --- | CHECKED BY KTAKAHASHI | DATE 2012/09/05 | | | |
| | 30 OVER | ± --- | APPROVED BY KMORIKAWA | DATE 2013/03/15 | | | |
| ANGULAR ± --- ° | | MATERIAL NO. SEE CHART | | DOCUMENT NO. SD-52610-049 | | SHEET NO. 1 OF 3 | |
| DRAFT WHERE APPLICABLE MUST REMAIN WITHIN DIMENSIONS | | THIS DRAWING CONTAINS INFORMATION THAT IS PROPRIETARY TO MOLEX INCORPORATED AND SHOULD NOT BE USED WITHOUT WRITTEN PERMISSION | | | | | |



| | | | | | | |
|----|------|------|-------|-------|------------|------------|
| 24 | 11.5 | 25.5 | 15.25 | 11.32 | 52610-1033 | 10 |
| | | | 14.25 | 10.32 | 52610-0933 | 9 |
| | | | 13.25 | 9.32 | 52610-0833 | 8 |
| | | | 12.25 | 8.32 | 52610-0733 | 7 |
| | | | 11.25 | 7.32 | 52610-0633 | 6 |
| | | | 10.25 | 6.32 | 52610-0533 | 5 |
| F | (E) | C | (B) | (A) | ENG. NO. | 種数 CKT. |

| | | | | | | | | | |
|--|-------------------------|---------------------------------------|--|----------------------------|--------------------|---|------------------------|------------------------------|---------------------|
| SEE SHEET 1 OF 3 EC NO: J2014-0352 DRWN:NASANUMA 2013/08/26 CHKD:KTAKAHASHI 2013/08/27 APPR:YNOGAWA 2013/08/30 | DESCRIPTION REV A | GENERAL TOLERANCES (UNLESS SPECIFIED) | | DIMENSION STYLE MM ONLY | | SCALE --- | DESIGN UNITS METRIC | THIRD ANGLE PROJECTION | |
| | | 10 UNDER | ± --- | DRAWN BY NASANUMA | DATE 2012/09/05 | TITLE EMBOSS TAPE PACKAGED FOR 1.0 FPC CONN ZIF S/T HOUSING ASSY | | | |
| | | 10 OVER 30 UNDER | ± --- | CHECKED BY KTAKAHASHI | DATE 2012/09/05 | | | | |
| | | 30 OVER | ± --- | APPROVED BY KMORIKAWA | DATE 2013/03/15 | MATERIAL NO. SEE CHART | | DOCUMENT NO. SD-52610-049 | SHEET NO. 2 OF 3 |
| ANGULAR ± --- ° DRAFT WHERE APPLICABLE MUST REMAIN WITHIN DIMENSIONS | | SIZE A3 | THIS DRAWING CONTAINS INFORMATION THAT IS PROPRIETARY TO MOLEX INCORPORATED AND SHOULD NOT BE USED WITHOUT WRITTEN PERMISSION | | | | | | |



| | | | | | | | |
|----|------|------|------|-------|-------|------------|------------|
| 56 | 26.2 | 52.4 | 57.5 | 35.25 | 31.32 | 52610-3033 | 30 |
| | | | | 33.25 | 29.32 | 52610-2833 | 28 |
| 44 | 20.2 | 40.4 | 46.5 | 31.25 | 27.32 | 52610-2633 | 26 |
| | | | | 30.25 | 26.32 | 52610-2533 | 25 |
| | | | | 29.25 | 25.32 | 52610-2433 | 24 |
| | | | | 28.25 | 24.32 | 52610-2333 | 23 |
| | | | | 27.25 | 23.32 | 52610-2233 | 22 |
| | | | | 26.25 | 22.32 | 52610-2133 | 21 |
| | | | | 25.25 | 21.32 | 52610-2033 | 20 |
| | | | | 24.25 | 20.32 | 52610-1933 | 19 |
| | | | | 23.25 | 19.32 | 52610-1833 | 18 |
| | | | | 22.25 | 18.32 | 52610-1733 | 17 |
| 32 | 14.2 | 28.4 | 33.5 | 21.25 | 17.32 | 52610-1633 | 16 |
| | | | | 20.25 | 16.32 | 52610-1533 | 15 |
| | | | | 19.25 | 15.32 | 52610-1433 | 14 |
| | | | | 18.25 | 14.32 | 52610-1333 | 13 |
| F | (E) | D | C | 17.25 | 13.32 | 52610-1233 | 12 |
| | | | | 16.25 | 12.32 | 52610-1133 | 11 |
| F | (E) | D | C | (B) | (A) | ENG. NO. | 極数 CKT. |

| | | | | | | | |
|--|--|--------------|---|--------------------|---|------------------------|------------------------|
| SEE SHEET 1 OF 3 EC NO: J2014-0352 DRWN:NASANUMA 2013/08/26 CHKD:KTAKAHASHI 2013/08/27 APPR:YNOGAWA 2013/08/30 | GENERAL TOLERANCES (UNLESS SPECIFIED) | | DIMENSION STYLE MM ONLY | | SCALE --- | DESIGN UNITS METRIC | THIRD ANGLE PROJECTION |
| | 10 UNDER | ±--- | DRAWN BY NASANUMA | DATE 2012/09/05 | TITLE EMBOSSSED TAPE PACKAGED FOR 1.0 FPC CONN ZIF S/T HOUSING ASSY molex DOCUMENT NO. SD-52610-049 SHEET NO. 3 OF 3 | | |
| | 10 OVER 30 UNDER | ±--- | CHECKED BY KTAKAHASHI | DATE 2012/09/05 | | | |
| | 30 OVER | ±--- | APPROVED BY KMORIKAWA | DATE 2013/03/15 | | | |
| ANGULAR | ±--- ° | MATERIAL NO. | SEE CHART | | | | |
| A | DRAFT WHERE APPLICABLE MUST REMAIN WITHIN DIMENSIONS | | THIS DRAWING CONTAINS INFORMATION THAT IS PROPRIETARY TO MOLEX INCORPORATED AND SHOULD NOT BE USED WITHOUT WRITTEN PERMISSION | | | | |