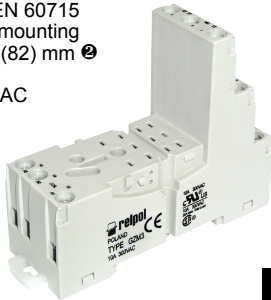


Plug-in sockets and accessories

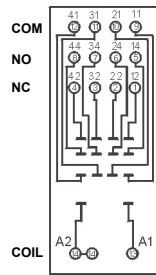
GZM3

For R3N

Screw terminals
Max. tightening moment for the terminal: 0,7 Nm
35 mm rail mount
acc. to PN-EN 60715
or on panel mounting
75 x 27 x 61(82) mm ②
Three poles
10 A, 300 V AC



Connection diagram



ZGGZ4

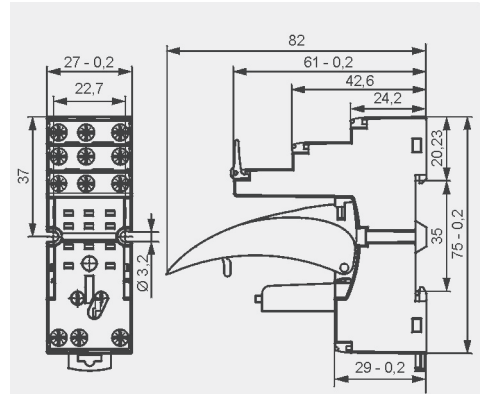


GZT4-0040 G4 1052



GZT4-0035 Module type M...

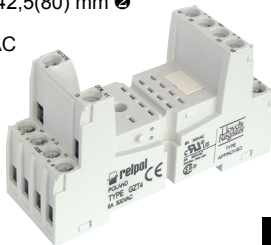
Dimensions



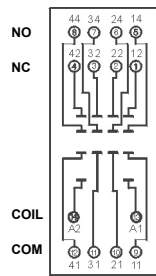
GZT4 ④

For R4N, T-R4

Screw terminals
Max. tightening moment for the terminal: 0,7 Nm
35 mm rail mount
acc. to PN-EN 60715
or on panel mounting
76,3 x 27 x 42,5(80) mm ②
Four poles
6 A, 300 V AC



Connection diagram



ZGGZ4

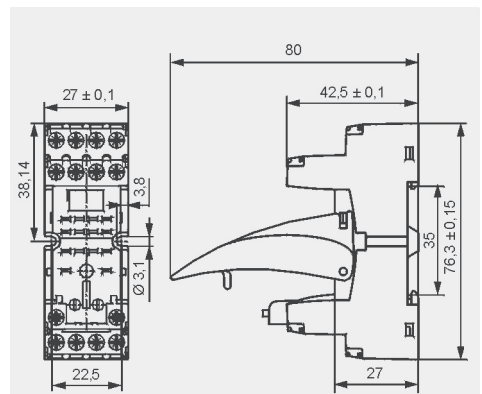


TR4-2000 GZT4-0040 G4 1052



GZT4-0035 Module type M...

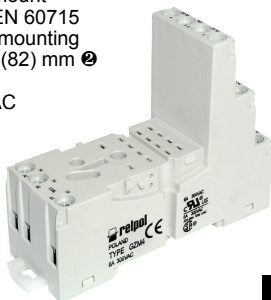
Dimensions



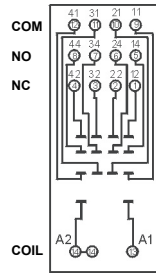
GZM4

For R4N, T-R4

Screw terminals
Max. tightening moment for the terminal: 0,7 Nm
35 mm rail mount
acc. to PN-EN 60715
or on panel mounting
75 x 27 x 61(82) mm ②
Four poles
6 A, 300 V AC



Connection diagram



ZGGZ4

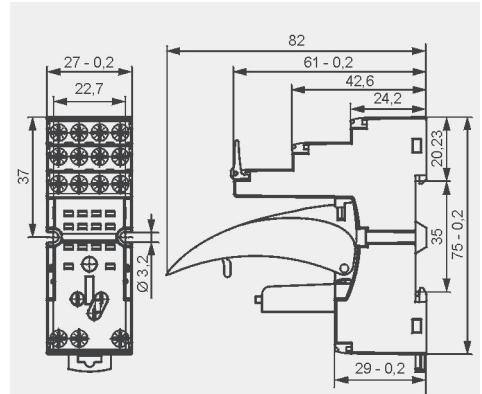


TR4-2000 GZT4-0040 G4 1052



GZT4-0035 Module type M...

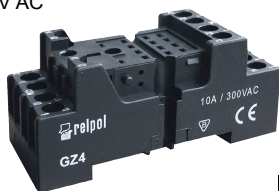
Dimensions



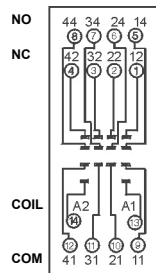
GZ4

For R4N

Screw terminals
Max. tightening moment for the terminal: 0,7 Nm
35 mm rail mount
acc. to PN-EN 60715
or on panel mounting
66,4 x 29,5 x 29 mm
Four poles
10 A, 300 V AC

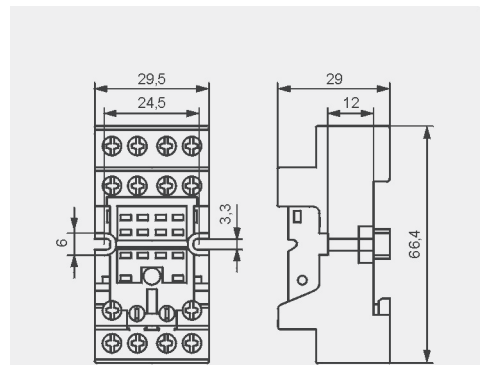


Connection diagram



G4 1052

Dimensions



① Mounting and sub-assemblies of accessories in the socket - see page 9. Signalling / protecting modules type M... - see page 20. ② In the bracket the height of socket with retainer / retractor clip is shown. ④ Have obtained LR Type Approval Certificate (Lloyd's Register). ⑤ For R4 relays: G4 1052, GZT4-0040, GZMB-0040, GZT4-0035, TR, module type M...; for T-R4 relays: TR4-2000, GZT4-0035, TR