

FL-PP-RJ45/RJ45 - Patch panel



2901646

<https://www.phoenixcontact.com/us/products/2901646>

Please be informed that the data shown in this PDF document is generated from our online catalog. Please find the complete data in the user documentation. Our general terms of use for downloads are valid.



Patch panel, two RJ45 jacks (1:1 assignment), CAT5e, 10/100/1000 Mbps, DIN rail adapter, IP20, option of shield contacting to the DIN rail via jumpers

Product description

Ethernet patch panels enable quick and easy connection between the field cabling and control cabinet cabling. The passive termination panels are a convenient alternative to the on-site assembly of RJ45 connectors.

Your advantages

- Safe shield connection to ground potential
- CAT5e
- 10/100/1000 Mbps
- Mounting on a DIN rail
- Easy and convenient extension for RJ45 cable
- Optional shield connection via jumpers
- Shipbuilding approval in accordance with DNV GL
- PoE-capable in accordance with IEEE 802.3bt, type 4

Commercial data

Item number	2901646
Packing unit	10 pc
Minimum order quantity	10 pc
Sales key	DN07
Product key	DNC331
Catalog page	Page 363 (C-6-2019)
GTIN	4046356622806
Weight per piece (including packing)	54.57 g
Weight per piece (excluding packing)	57.26 g
Customs tariff number	85366990
Country of origin	US

FL-PP-RJ45/RJ45 - Patch panel



2901646

<https://www.phoenixcontact.com/us/products/2901646>

Technical data

Notes

Utilization restriction

CCCex note	Use in potentially explosive areas is not permitted in China.
------------	---

Product properties

Product type	Patch panel
MTBF	6702 Years (Telcordia standard, 25°C temperature, 21% operating cycle (5 days a week, 8 hours a day))
	2962 Years (Telcordia standard, 40°C temperature, 34.25% operating cycle (5 days a week, 12 hours a day))

Interfaces

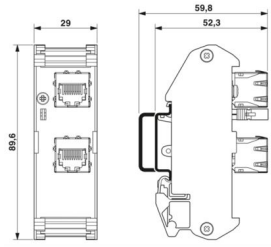
Data: Ethernet interface, 10/100/1000Base-T(X) in accordance with IEEE 802.3

Serial transmission speed	10/100/1000 Mbps
Connection method	RJ45 CAT5e
No. of channels	1
Pin assignment	1:1
Transmission length	100 m (including patch cables)

Data: Ethernet interface, 10/100/1000Base-T(X) in accordance with IEEE 802.3

Connection method	RJ45 CAT5e
No. of channels	1

Dimensions

Dimensional drawing	
Width	29 mm
Height	90 mm
Depth	53 mm

Material specifications

Color (Housing)	green (RAL 6021)
Material Housing	PVC / PA

Cable/line

Cable impedance	100 Ω
-----------------	-------

FL-PP-RJ45/RJ45 - Patch panel



2901646

<https://www.phoenixcontact.com/us/products/2901646>

Mechanical properties

Mechanical data

Insertion/withdrawal cycles	≤ 2500
-----------------------------	--------

Environmental and real-life conditions

Ambient conditions

Degree of protection	IP20
Ambient temperature (operation)	-25 °C ... 70 °C
Ambient temperature (storage/transport)	-25 °C ... 85 °C
Ambient temperature (assembly)	-10 °C ... 70 °C
Permissible humidity (operation)	25 % ... 95 % (non-condensing)

Approvals

ATEX

Identification	Ⓜ II 3 G Ex ec IIC Gc
Certificate	PxCIF14ATEX2901642U
Note	Please follow the special installation instructions in the documentation!

UKEX

Identification	Ⓜ II 3 G Ex ec IIC Gc
Certificate	PxCIMA21UKEX2901642U

Corrosive gas test

Identification	ISA-S71.04-1985 G3 Harsh Group A
----------------	----------------------------------

Shipbuilding

Identification	DNV GL
----------------	--------

DNV GL data

Temperature	B
Humidity	A
Vibration	A
EMC	B
Enclosure	Required protection according to the Rules shall be provided upon installation on board

Mounting

Mounting type	DIN rail mounting
---------------	-------------------

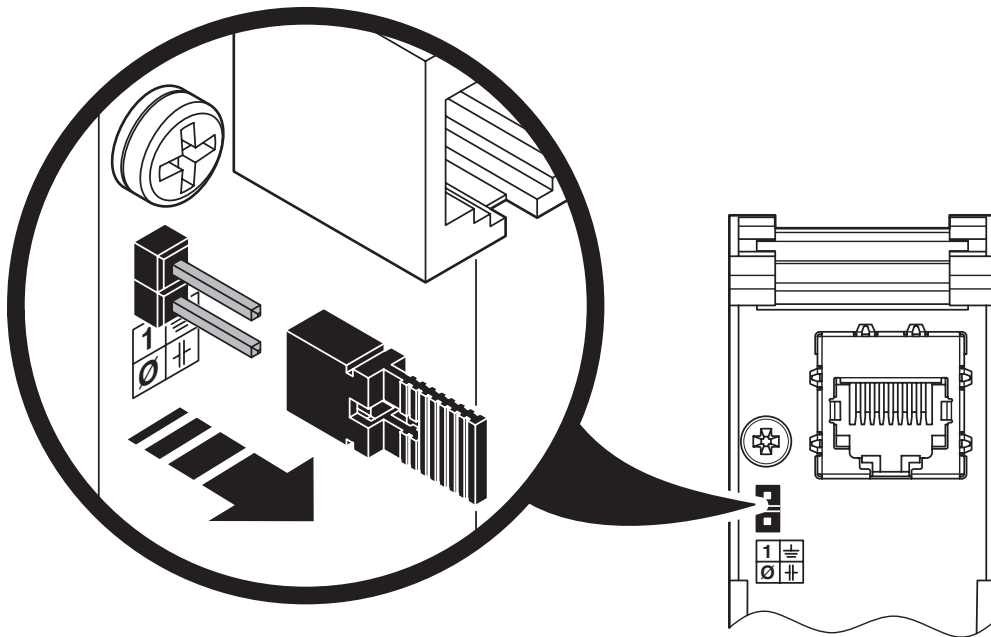
FL-PP-RJ45/RJ45 - Patch panel

2901646

<https://www.phoenixcontact.com/us/products/2901646>

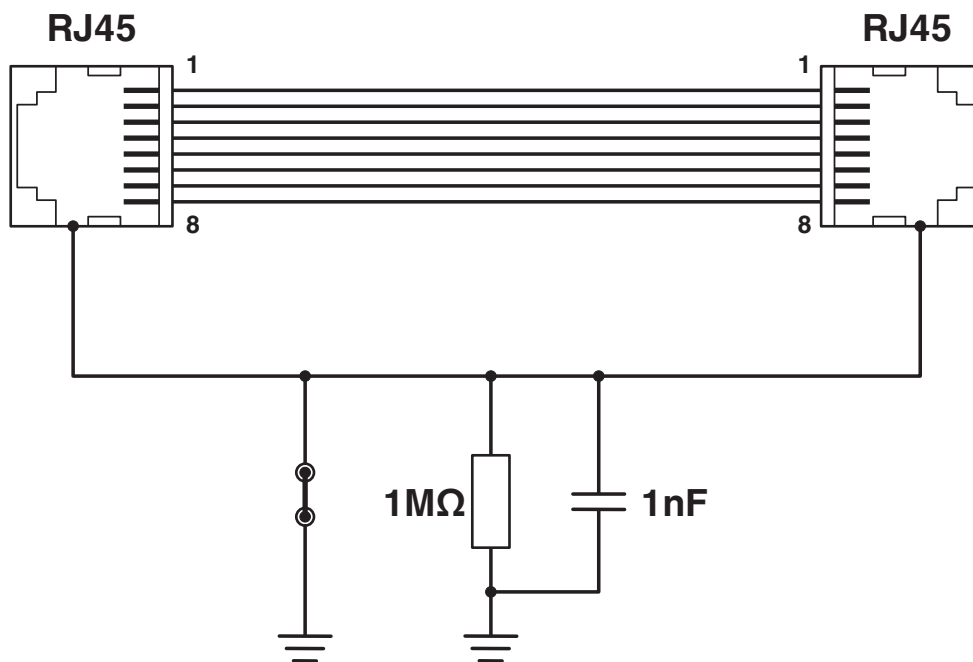
Drawings

Schematic diagram



Shield connection to PE via RC element

Circuit diagram



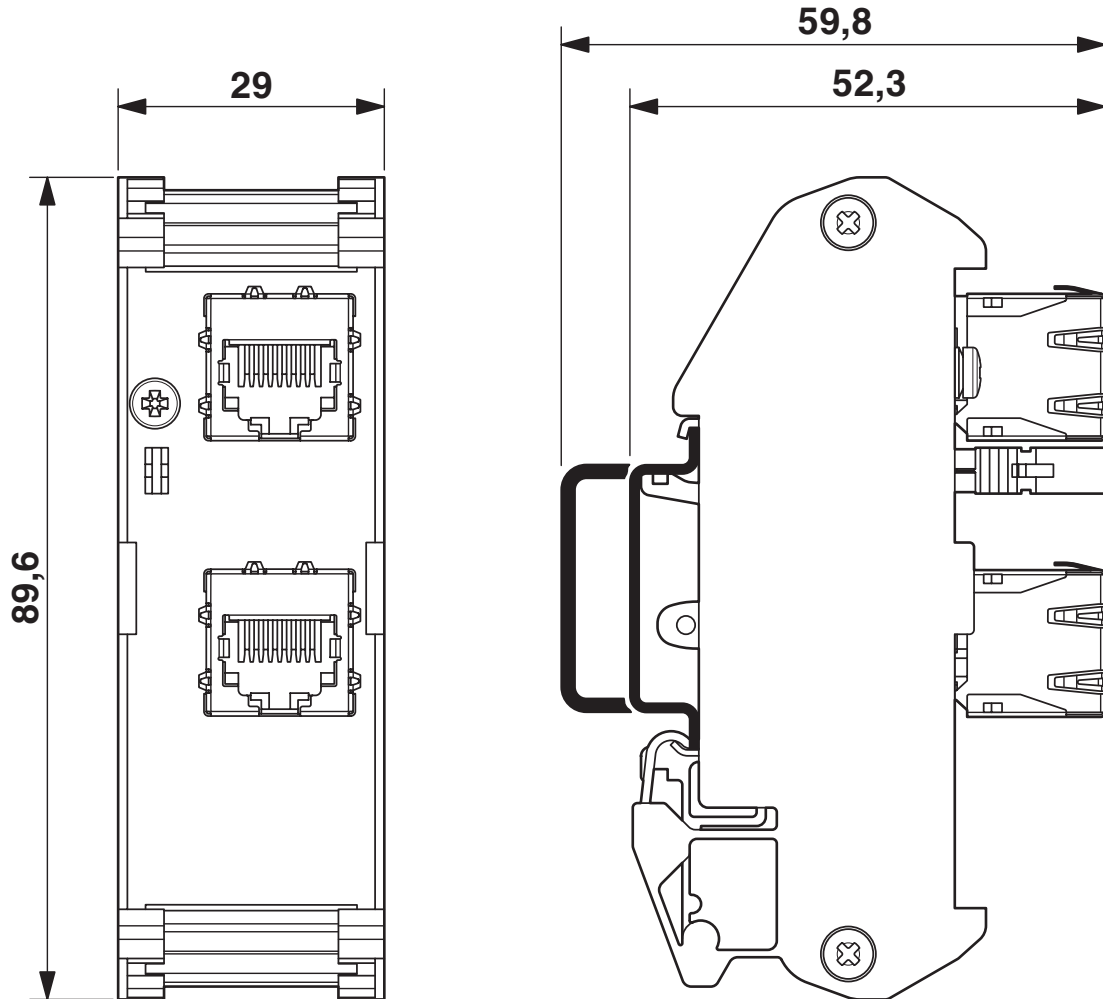
FL-PP-RJ45/RJ45 - Patch panel

2901646

<https://www.phoenixcontact.com/us/products/2901646>



Dimensional drawing



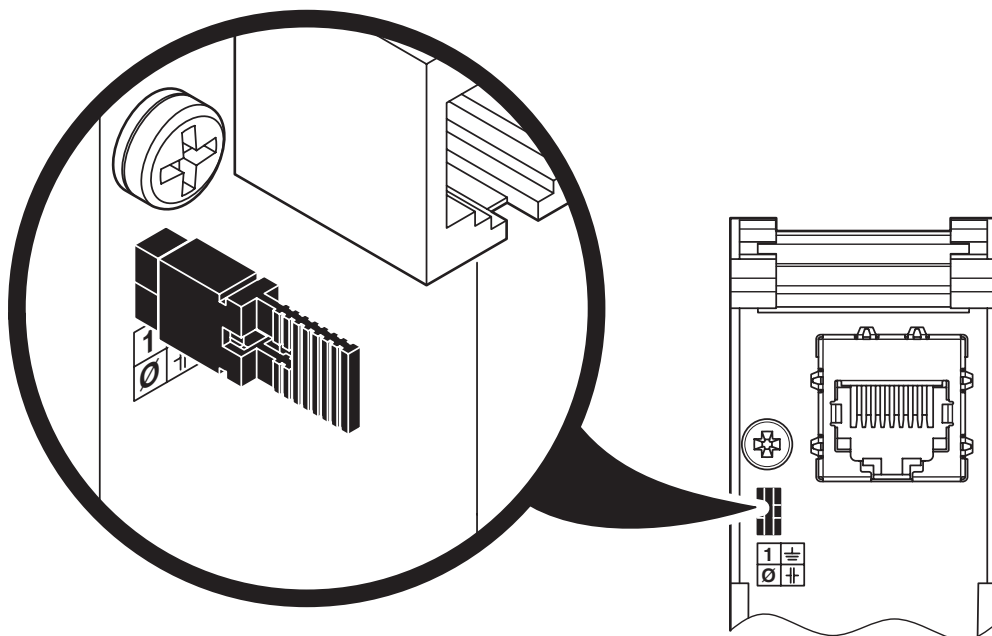
Dimensional drawing

FL-PP-RJ45/RJ45 - Patch panel

2901646

<https://www.phoenixcontact.com/us/products/2901646>

Schematic diagram



Shield connection direct to PE

FL-PP-RJ45/RJ45 - Patch panel



2901646

<https://www.phoenixcontact.com/us/products/2901646>

Approvals

To download certificates, visit the product detail page: <https://www.phoenixcontact.com/us/products/2901646>



EAC

Approval ID: RU D-DE.GB09.B.00312



DNV GL

Approval ID: TAA00001KR

FL-PP-RJ45/RJ45 - Patch panel



2901646

<https://www.phoenixcontact.com/us/products/2901646>

Classifications

ECLASS

ECLASS-11.0	19170112
ECLASS-12.0	19170112
ECLASS-13.0	19170112

ETIM

ETIM 9.0	EC002697
----------	----------

UNSPSC

UNSPSC 21.0	43223309
-------------	----------

FL-PP-RJ45/RJ45 - Patch panel



2901646

<https://www.phoenixcontact.com/us/products/2901646>

Environmental product compliance

China RoHS	Environmentally Friendly Use Period = 50 years For information on hazardous substances, refer to the manufacturer's declaration available under "Downloads"
------------	--

FL-PP-RJ45/RJ45 - Patch panel

2901646

<https://www.phoenixcontact.com/us/products/2901646>



Accessories

FL CRIMPTOOL - Assembly tool

2744869

<https://www.phoenixcontact.com/us/products/2744869>

Crimping pliers, for assembling the RJ45 plugs FL PLUG RJ45..., for assembly on site



FL ISOLATOR 100-RJ/RJ - Network isolator

2313931

<https://www.phoenixcontact.com/us/products/2313931>

Passive network isolator for electrical isolation in Ethernet networks. This protects Ethernet devices from potential differences of up to 4 kV. Can be used for transmission speeds of up to 100 Mbps. Possible to connect two RJ45 plugs.



FL-PP-RJ45/RJ45 - Patch panel

2901646

<https://www.phoenixcontact.com/us/products/2901646>



FL ISOLATOR 1000-RJ/RJ - Network isolator

2313915

<https://www.phoenixcontact.com/us/products/2313915>



Passive network isolator for electrical isolation in Ethernet networks. This protects Ethernet devices from potential differences of up to 4 kV. Can be used for transmission speeds of up to 1 Gbps. Possible to connect two RJ45 plugs.

FL ISOLATOR 100-M12 - Network isolator

2902985

<https://www.phoenixcontact.com/us/products/2902985>



Passive network isolator for electrical isolation in Ethernet networks. For the protection of Ethernet devices against potential differences of up to 4 kV. Can be used for transmission speeds of up to 100 Mbps. Ethernet connection via two M12 sockets (D-coded).

FL-PP-RJ45/RJ45 - Patch panel

2901646

<https://www.phoenixcontact.com/us/products/2901646>



FL CAT5 PATCH 0,3 - Patch cable

2832250

<https://www.phoenixcontact.com/us/products/2832250>

Patch cable, CAT5, assembled, 0.3 m



FL CAT5 PATCH 0,5 - Patch cable

2832263

<https://www.phoenixcontact.com/us/products/2832263>

Patch cable, CAT5, assembled, 0.5 m



FL-PP-RJ45/RJ45 - Patch panel

2901646

<https://www.phoenixcontact.com/us/products/2901646>



FL CAT5 PATCH 1,0 - Patch cable

2832276

<https://www.phoenixcontact.com/us/products/2832276>

Patch cable, CAT5, assembled, 1 m



FL CAT5 PATCH 1,5 - Patch cable

2832221

<https://www.phoenixcontact.com/us/products/2832221>

Patch cable, CAT5, assembled, 1.5 m



FL-PP-RJ45/RJ45 - Patch panel

2901646

<https://www.phoenixcontact.com/us/products/2901646>



FL CAT5 PATCH 2,0 - Patch cable

2832289

<https://www.phoenixcontact.com/us/products/2832289>

Patch cable, CAT5, assembled, 2 m



FL CAT5 PATCH 3,0 - Patch cable

2832292

<https://www.phoenixcontact.com/us/products/2832292>

Patch cable, CAT5, assembled, 3 m



FL-PP-RJ45/RJ45 - Patch panel

2901646

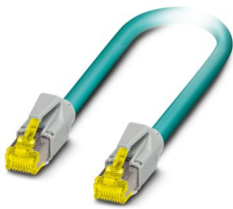
<https://www.phoenixcontact.com/us/products/2901646>



NBC-R4AC-R4AC-IE8A/.../... - Patch cable

1411854

<https://www.phoenixcontact.com/us/products/1411854>

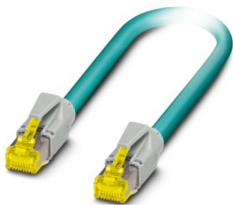


Patch cable, degree of protection: IP20, number of positions: 8, 10 Gbps, CAT6_A, cable outlet: straight, Ethernet

NBC-R4AC/10G-R4AC/10G-94F/2,0 - Patch cable

1408360

<https://www.phoenixcontact.com/us/products/1408360>



Patch cable, CAT6_A, 4-pair, shielded, connection not crossed (line), assembled at both ends with RJ45/IP20 connectors, outer sheath material: PUR, length: 2.0 m

FL-PP-RJ45/RJ45 - Patch panel

2901646

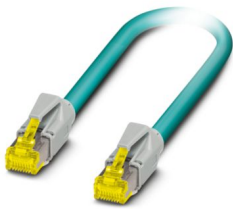
<https://www.phoenixcontact.com/us/products/2901646>



NBC-R4AC/10G-R4AC/10G-94F/3,0 - Patch cable

1408365

<https://www.phoenixcontact.com/us/products/1408365>



Patch cable, CAT6_A, 4-pair, shielded, connection not crossed (line), assembled at both ends with RJ45/IP20 connectors, outer sheath material: PUR, length: 3.0 m

NBC-R4AC/1,0-93B/R4AC - Patch cable

1408968

<https://www.phoenixcontact.com/us/products/1408968>



Patch cable, degree of protection: IP20, cable length: 1 m, number of positions: 4, 100 Mbps, CAT5, material: PA 6.6, PROFINET

FL-PP-RJ45/RJ45 - Patch panel

2901646

<https://www.phoenixcontact.com/us/products/2901646>



NBC-R4AC/2,0-93B/R4AC - Patch cable

1408969

<https://www.phoenixcontact.com/us/products/1408969>



Patch cable, degree of protection: IP20, cable length: 2 m, number of positions: 4, 100 Mbps, CAT5, material: PA 6.6, PROFINET

VS-08-RJ45-10G/Q - RJ45 connector

1419001

<https://www.phoenixcontact.com/us/products/1419001>



RJ45 connector, design: RJ45, degree of protection: IP20, number of positions: 8, 10 Gbps, CAT6_A, material: Plastic, connection method: Insulation displacement connection, connection cross section: AWG 26- 24, cable outlet: straight, color: black, Ethernet

FL-PP-RJ45/RJ45 - Patch panel

2901646

<https://www.phoenixcontact.com/us/products/2901646>



VS-CABLE-STRIP-VARIO - Stripping tool

1657407

<https://www.phoenixcontact.com/us/products/1657407>

Stripping tool, for the multi-level stripping of shielded cables



VS-08-RJ45-5-Q/IP20 - RJ45 connector

1656725

<https://www.phoenixcontact.com/us/products/1656725>



RJ45 connector, design: RJ45, degree of protection: IP20, number of positions: 8, 1 Gbps, CAT5, material: Plastic, connection method: Insulation displacement connection, connection cross section: AWG 26- 23, cable outlet: straight, color: traffic grey A RAL 7042, Ethernet

FL-PP-RJ45/RJ45 - Patch panel

2901646

<https://www.phoenixcontact.com/us/products/2901646>



VS-08-RJ45-5-Q/IP20 BK - RJ45 connector

1658008

<https://www.phoenixcontact.com/us/products/1658008>



RJ45 connector, design: RJ45, degree of protection: IP20, number of positions: 8, 1 Gbps, CAT5, material: Plastic, connection method: Insulation displacement connection, connection cross section: AWG 26- 23, cable outlet: straight, color: black, Ethernet

VS-PN-RJ45-5-Q/IP20 - RJ45 connector

1658435

<https://www.phoenixcontact.com/us/products/1658435>



RJ45 connector, design: RJ45, degree of protection: IP20, number of positions: 4, 100 Mbps, CAT5, material: Plastic, connection method: Insulation displacement connection, cable outlet: straight, color: traffic grey A RAL 7042, PROFINET

FL-PP-RJ45/RJ45 - Patch panel

2901646

<https://www.phoenixcontact.com/us/products/2901646>



FL-PP-RJ45-SCC - Patch panel

2901642

<https://www.phoenixcontact.com/us/products/2901642>



Patch panel, one RJ45 jack to 8 spring-force connection terminal blocks (1:1 assignment), CAT5e, 10/100/1000 Mbps, DIN rail adapter, IP20, option of shield contacting to the DIN rail via jumpers

FL-PP-RJ45-SC - Patch panel

2901643

<https://www.phoenixcontact.com/us/products/2901643>



Patch panel, one RJ45 jack to 8 screw connection terminal blocks (1:1 assignment), CAT5e, 10/100/1000 Mbps, DIN rail adapter, IP20, option of shield contacting to the DIN rail via jumpers

FL-PP-RJ45/RJ45 - Patch panel

2901646

<https://www.phoenixcontact.com/us/products/2901646>



FL-PP-RJ45-LSA - Patch panel

2901645

<https://www.phoenixcontact.com/us/products/2901645>



Patch panel, one RJ45 jack to 8 LSA connection terminal blocks (1:1 assignment), CAT5e, 10/100/1000 Mbps, DIN rail adapter, IP20, option of shield contacting to the DIN rail via bridges

Phoenix Contact 2024 © - all rights reserved

<https://www.phoenixcontact.com>

Phoenix Contact USA
586 Fulling Mill Road
Middletown, PA 17057, United States
(+717) 944-1300
info@phoenixcon.com