

# Spring-loaded test probe

## GKS-112 306 200 A 3002

Item GKS-112-1229



**ingun**<sup>®</sup>

Partner for Future Technology

- Robust test probes with distinctive collar (stop) on the barrel
- Optimum adjustment of the stroke ratios in the test fixture: The collar is available in different heights, which, in combination with the receptacles, allows a range of installation heights
- Stainless steel versions for temperatures from -100 °C up to +200 °C available

### INGUN SELECTION



1:1

# Spring-loaded test probe

## GKS-112 306 200 A 3002

Item GKS-112-1229



ingun®

Partner for Future Technology

### General data

Product group	ICT / FCT (in-circuit test and function test)
Sub-product group	Metric standard
Series	GKS-112
Grid	2.54 mm [100 mil]
Contacting from	Pin, Post, Flat contact
Magnetic	Yes
Installation type	Plug-in
Quick-exchange system	Yes
Adjustable installation height	No
Non-rotating	No
Compatible receptacle(s)	KS-112
Min. temperature	- 40 °C [- 104 °F]
Max. temperature	+ 80 °C [+ 176 °F]
RoHS-compliant	Yes

### Electrical data

Current load capacity / rated current	8 A
Typical resistance (Ri)	<20 mOhm

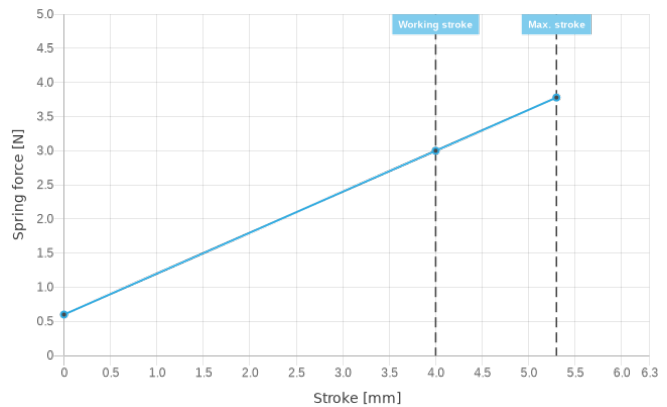
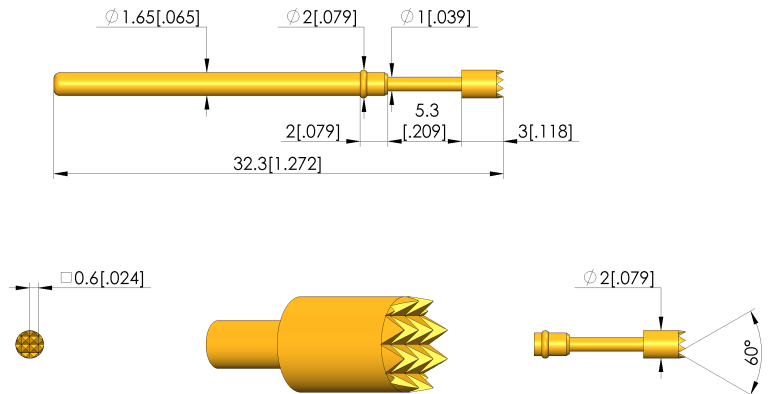
### Mechanical data

Total length	32.3 mm [1.27 in]
Barrel diameter	1.66 mm [.065 in]
Maximum stroke	5.3 mm [.208 in]
Spring pre-load	1 N [3.59 ozf]
Collar height	02
Spring force at working stroke	3 N [10.7 ozf]
Recommended working stroke	4 mm [.157 in]

### Tip style data

Tip style	06 serrated
Tip diameter	2 mm [.078 in]
Tip style surface	A gold
Tip style material	3 CuBe

### INGUN SELECTION



### INGUN Prüfmittelbau GmbH

Max-Stromeyer-Straße 162  
78467, Constance, Germany  
Phone +49 7531 8105-0  
Customer hotline +49 7531 8105-888  
Fax +49 7531 8105-65  
info@ingun.com



Prices and delivery times on request.  
Technical changes reserved. 11/22 EN

Weitere Informationen zum Thema  
ICT/FCT Test probes

