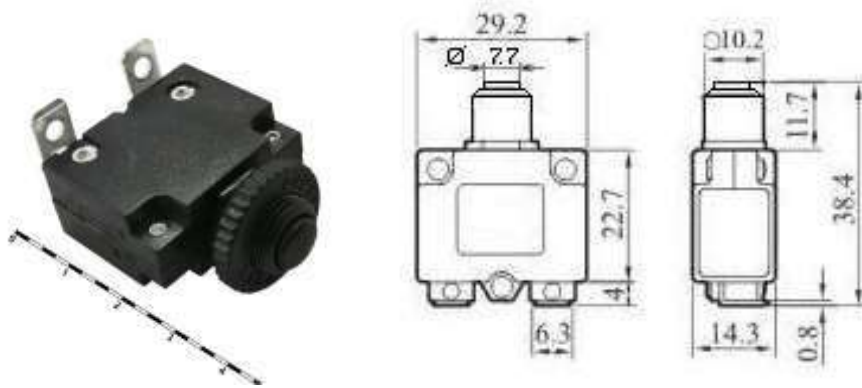


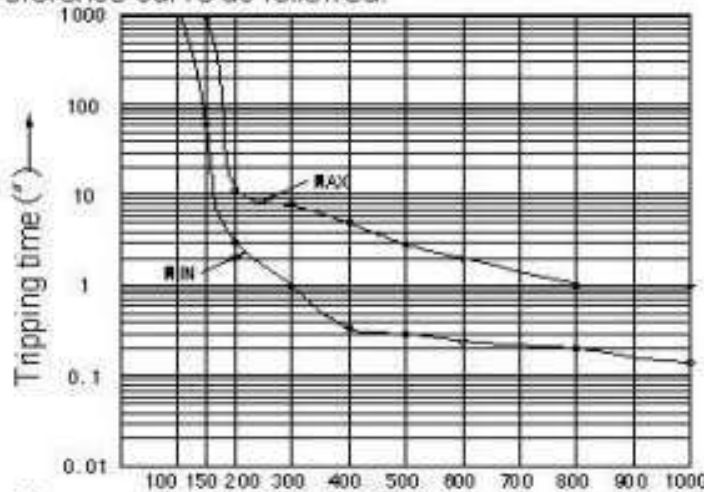
Автоматический выключатель №2708 Z QAZ-0709J



Specification:

1. Rating current : min.5A, max.15A
2. Working pressure : min.12V, max.250V
3. Double usage of DC and AC Application scope : Used at the protection of compound outlet, power transformer and electrical motor.

Technique characteristic: the test temperature(20° –25°),the reference curve as followed:



The experiment of short-circuit ambient temperature: 25 °

Rating current PCT(%)	current overload Rating current PCT	Tripping time
	100%	1hour no tripping
	150%	1hour tripping
	200%	3.0-18"
	300%	0.8-8"
	400%	0.35-5"
	500%	0.3-2.8"
	600%	0.25-2"
	800%	0.2-1"
	1000%	0.15-0.8"