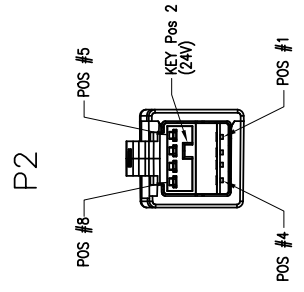
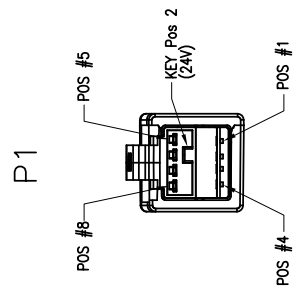
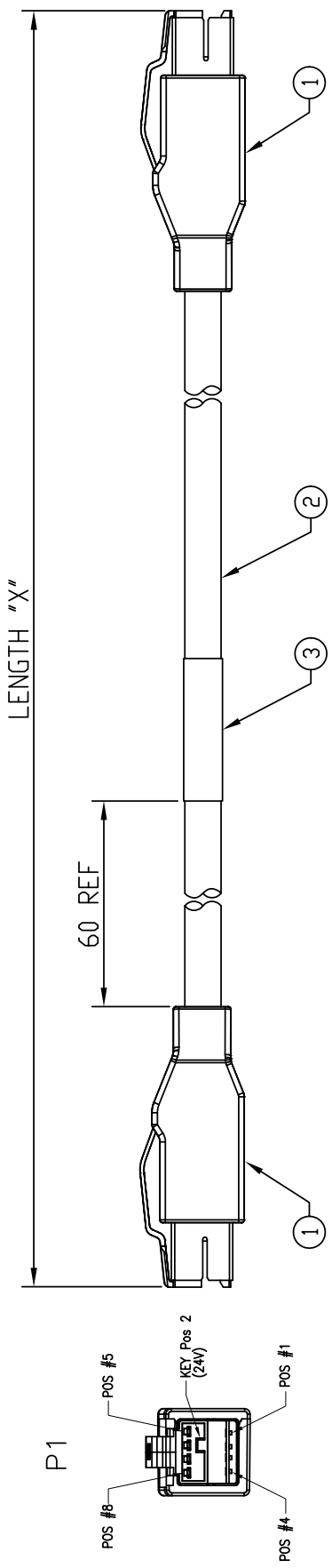


FCI PART NO.	POWER TYPE	LENGTH "X"
10123787-Z0030YYLF	24V	305±15 (12inch)
10123787-Z0061YYLF	24V	610±15 (24inch)
10123787-Z0092YYLF	24V	915±15 (36inch)
10123787-Z0122YYLF	24V	1220±20 (48inch)
10123787-Z0152YYLF	24V	1524±20 (60inch)



PIN ASSIGNMENT			
P1	SIGNAL NAME	WIRE COLOR	WIRE AWG
1	VBUS (+5V)	RED	20
2	DATA -	WHITE	28 *
3	DATA +	GREEN	28 *
4	GND	BLACK	20
5	+24VDC	BLUE	20
6	EVENT 1	BROWN	20
7	EVENT 2	ORANGE	20
8	24V RETURN	YELLOW	20
SHELL	FRAME GND	BRAID	
			SHELL

\* TWISTED PAIR

TOLERANCES UNLESS OTHERWISE SPECIFIED

LINEAR	
ANGULAR	0° ±2°

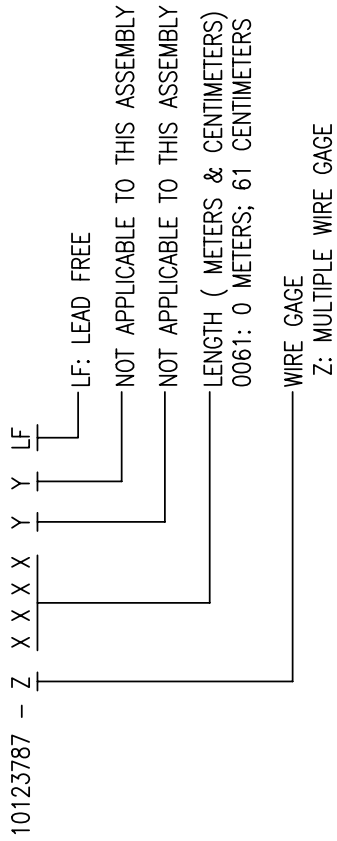
Mark with 10075076001 REV, pro_revision in area indicated by X,...		Material		Spec ref		tolerance		projection		Scale	
rev	ecn no	dr	date	surface	ISO 1302	ISO 406	ISO 1101	MM	MM	Scale	-
A	New	ST	1/23/2013	ISO 1302	ISO 1302	ISO 406	ISO 1101	MM	MM	Scale	-
-	-	-	-	Plating/Finish	ISO 1302	ISO 406	ISO 1101	MM	MM	Scale	-
-	-	-	-	Dr	Sunny Tsai	12/19/2012	12/19/2012	size	A3	REL Level	ECN
-	-	-	-	Eng	Sunny Tsai	12/19/2012	12/19/2012	Product family	CABLE ASS'Y	REL Level	ECN
-	-	-	-	Chr	Jackson Wang	12/19/2012	12/19/2012	Model Name		REL Level	ECN
-	-	-	-	Appr	Jackson Wang	12/19/2012	12/19/2012	Model Revision		REL Level	ECN
				FCI		CABLE: USB+POWER (24V) # DOUBLE ENDS		dwg no		10123787	
				Pro/E file		catalog no		CUSTOMER DWG		Sheet 1 of 2	

FCI PART NO. SEE SHEET 1

NOTES:

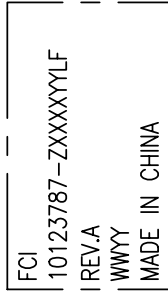
1. USB+POWER MATES WITH FCI PART NUMBER: 55917-60XL.F.
2. UNLESS OTHERWISE SPECIFIED ASSEMBLED LENGTH TOLERANCE:  
 =< 1 METER= ±15.0mm  
 > 1 METER TO 10 METER= ±2% OF L1 OR L2  
 > 10 METER= +0%/-4% OF L1 OR L2

3. PART NUMBER SCHEME FOR CABLE ASSEMBLY:



4. UNLESS OTHERWISE SPECIFIED LABEL POSITION SHALL BE APPROXIMATELY 60mm FROM REAR OF CONNECTOR.

5. LABEL DETAILS:



6. ALL CABLE ASSEMBLIES SHALL BE TESTED 100% FOR CONTINUITY AS DEFINED IN WIRING LIST.
7. UNLESS OTHERWISE SPECIFIED ALL CABLE ASSEMBLIES SHALL BE 100% HI-POT TESTED: DC 300V/10ms

8. OTHER ELECTRICAL SPECIFICATIONS:  
 DIELECTRIC RESISTANCE: 50M Ohms MIN.  
 CONNECTION RESISTANCE: 1.5 Ohms MAX.
9. THIS DIMENSION IS A FINISHED PRODUCT LENGTH.
10. LEAD FREE PRODUCTS MEET EUROPEAN UNION DIRECTIVES AND OTHER COUNTRY REGULATIONS AS DESCRIBED IN GS-22-008.
11. CONNECTOR ASSEMBLIES SHOWN ARE FOR REFERENCE ONLY AND MAY NOT SHOWN ALL PART DETAIL, REFERENCE CONNECTOR ASSEMBLY DRAWINGS FOR COMPLETE DETAILS.

12. PACKAGE: EACH CABLE ASSEMBLY IN CLEAR ZIP-LOCK POLY BAG, THEN BULK PACKED IN A BOX.

13. MATERIAL:

3	1	EA	ADHESIVE LABEL.
2	AR	MM	USB+POWER CABLE: (UL) CM/(CSA) CMG, 28AWG*1P+20AWG*6C +SHIELD, JACKET COLOR: BLACK
1	2	EA	USB+POWER PLUG KIT (24V) TYPE A, KEY POSITION 2, BLACK COVER, FCI P/N: 74233-2029LF.
ITEM	Q'TY	UNIT	DESCRIPTION

14. BULK CABLE BENDING RADIUS: 30MM MIN.

Material		Spec ref		spec_ref	
Mat code	surface	tolerance	projection	size	Scale
Heat/treat	ISO 1302	ISO 406	MM	MM	MM
Plating/Finish	ISO 1302	ISO 1101	size	A3	Scale
Dr Sunny Tsai	12/19/2012	Product family	REL Level	ECN	
Eng Sunny Tsai	12/19/2012	Model Name			
Chr Jackson Wang	12/19/2012	Model Revision			
Appr Jackson Wang	12/19/2012				
FCI		dwg no		Rev.	
CABLE: USB+POWER (24V)		10123787		A	
DOUBLE ENDS		CUSTOMER DWG		sheet 2 of 2	
Pro/E file	catalog no				