

C3216X7T2J473K160AC

TDK Item Description : C3216X7T2J473KT****

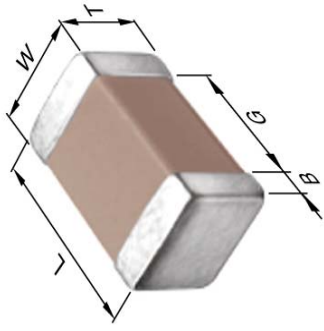


Application & Main Feature

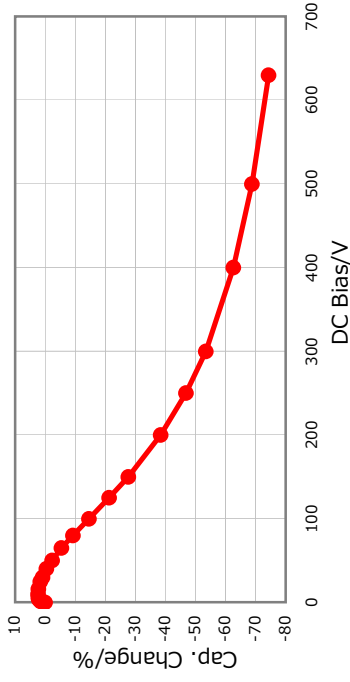
Commercial Grade (Mid Voltage (100 to 630V))

Series

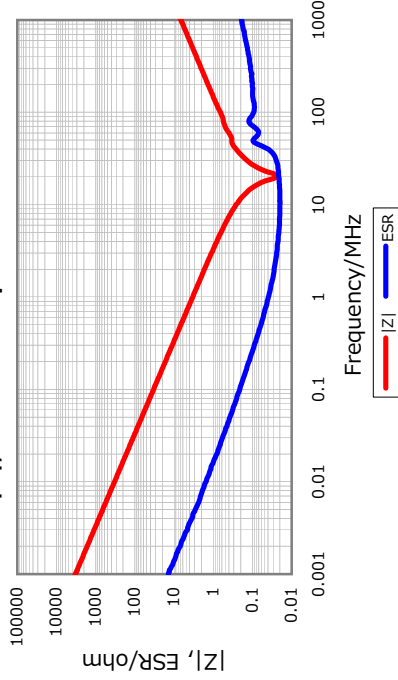
C3216 [EIA CC1206]



DC Bias Characteristic



|Z|, ESR vs. Freq. Characteristics



Temperature Characteristic

X7T (-55 to 125 degC +22,-33%)

Rated Voltage

2J (630Vdc)

Capacitance

47nF

Capacitance Tolerance

K (+/--10%)

Dissipation Factor

2.5% Max.

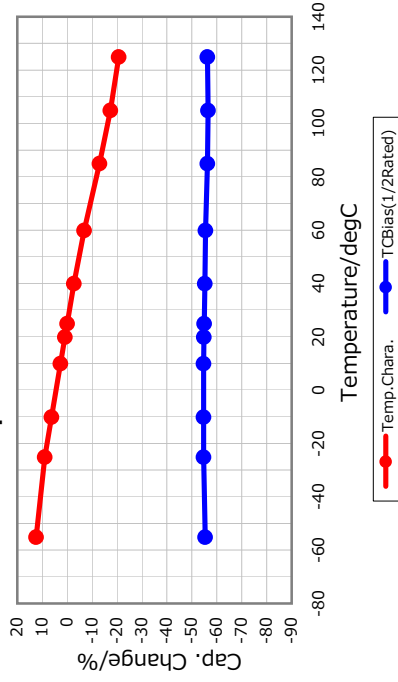
Insulation Resistance

10Gohm Min.

AEC-Q200

Not Applicable

Temperature Characteristics



Ripple Temperature Rise Characteristics

