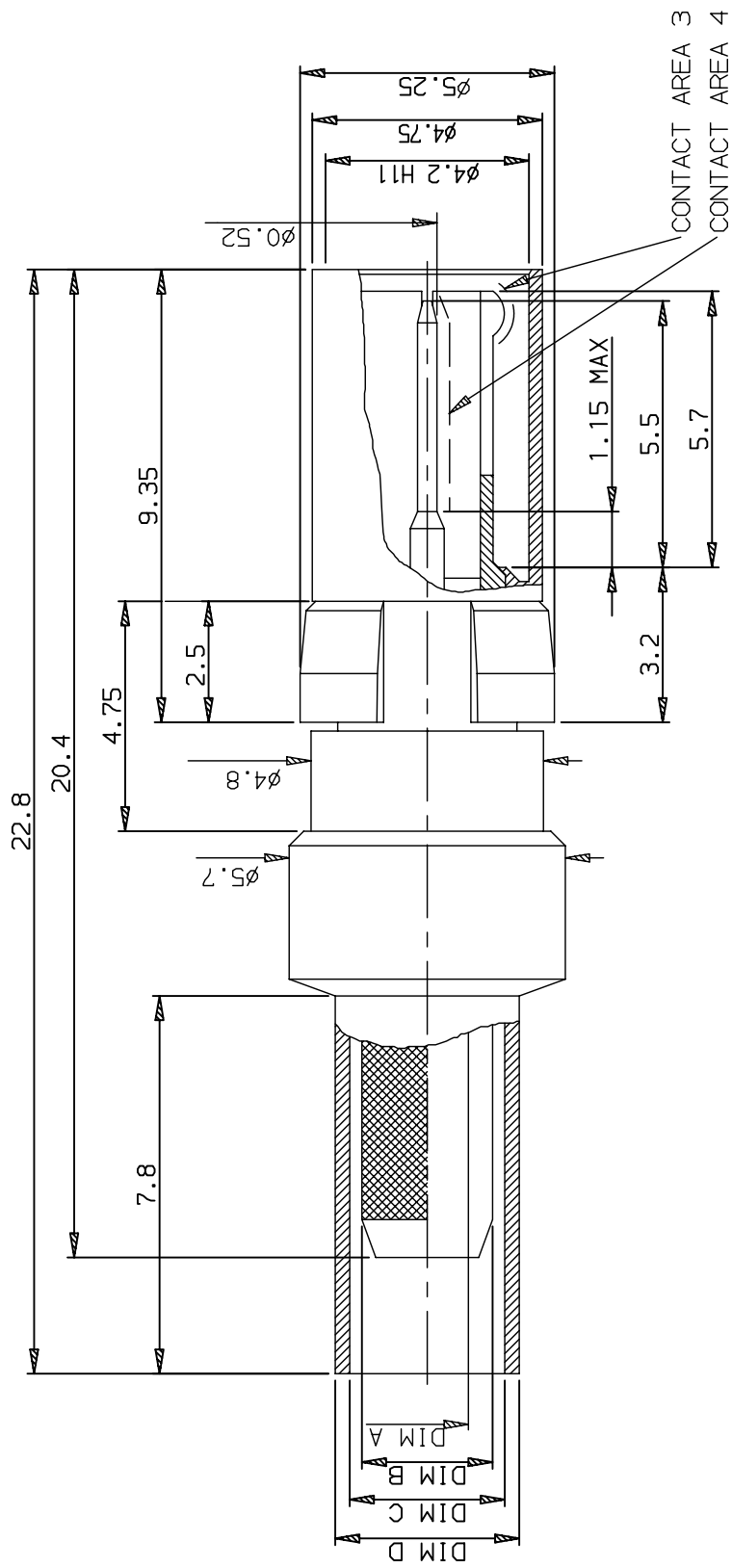


PLATING CODE X	CONTACT AREA 1 AND 3	CONTACT AREA 2 AND 4	PLATING CONTACT AREA 1 AND 3
1	1.3um Au min.	1.3um Au min.	1.3um Au min.

LEAD-FREE PART NUMBER	DIM A φ	DIM B φ	DIM C φ	DIM D φ	CABLE TYPE	IMPEDANCE
77427-X11LF	1.2	1.70	2.2	3.20	RG178 B/U RG196 A/U	50 Ohm
77427-X21LF	1.70	2.70	3.20	3.80	RG174 A/U RG188 A/U	50 Ohm
77427-X31LF	1.70	2.70	3.58	4.30	RG316/U2 SHIELDED	50 Ohm



- NOTES:
1. UNDERPLATING NI
 2. DIMENSIONS ACCORDING DIN 41626
 3. THIS PRODUCT WITH "LF" SUFFIX MEETS EUROPEAN UNION DIRECTIVES AND OTHER COUNTRY REGULATIONS AS DESCRIBED IN GS -22-008.
 4. THE PRODUCT IS NOT INTENDED TO BE EXPOSED TO A MANUFACTURING SOLDER PROCESS.
 5. PACKAGING SPEC: SEE GS-14-920

www.fciconnect.com

Dr G01SNARD 2006/03/06
Eng G01SNARD 2006/03/06
Chr LEGARE 2006/03/06
Appr LEGARE 2006/03/06

surface ISO 1302
tolerance std ISO 406 ISO 1101
TOLERANCES UNLESS OTHERWISE SPECIFIED

projection
size A3
Scale 10

ECN L508-0057
Spec ref -

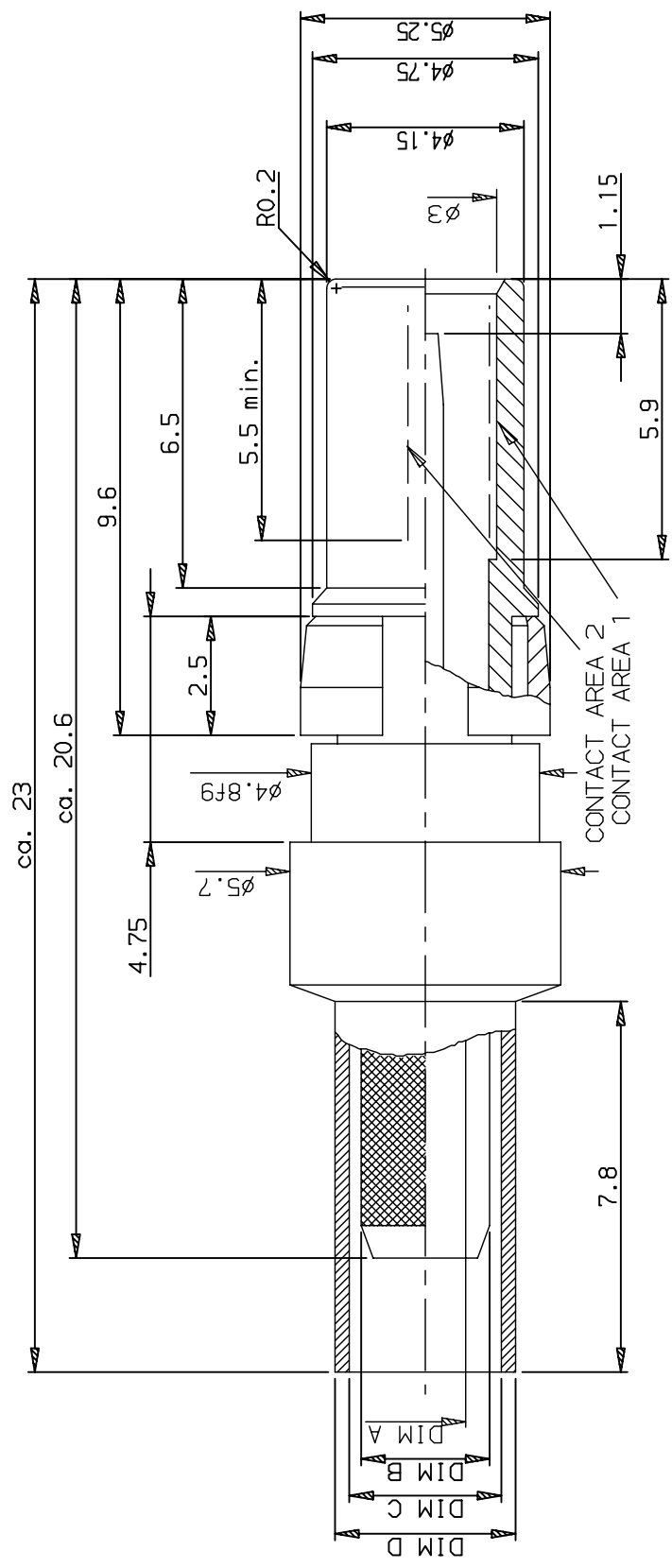
Product family BACKPANEL

MALE COAX
INSERT STRAIGHT CTW

Rev. 77427
CUSTOMER sheet 1 of 5



LEAD-FREE PART NUMBER	DIM A ∅	DIM B ∅	DIM C ∅	DIM D ∅	CABLE TYPE	IMPEDANCE
77427-X12LF	1.05	1.70	2.25	3.20	R6178B/U R6196A/U	50 Ohm
77427-X22LF	1.70	2.70	3.20	3.80	R6174A/U R6179B/U R6187A/U R6188A/U	50 Ohm
77427-X32LF	1.70	2.70	3.58	4.30	L910/9-/19	50 Ohm



- NOTES:
1. UNDERPLATING Ni
 2. DIMENSIONS ACCORDING DIN 41626
 3. THIS PRODUCT WITH "LF" SUFFIX MEETS EUROPEAN UNIDIRECTIVES AND OTHER COUNTRY REGULATIONS AS DESCRIBED IN GS -22-008.
 4. THE PRODUCT IS NOT INTENDED TO BE EXPOSED TO A MANUFACTURING SOLDER PROCESS.
 5. PACKAGING SPEC: SEE GS-14-920
 6. CONTACT AREA PLATING: SEE SHEET 1

www.fciconnect.com		surface	ISO 1302	tolerance std	ISO 406 ISO 1101	projection	m
		TOLERANCES UNLESS OTHERWISE SPECIFIED				size	A3
Dr	GOISNARD	2006/03/06	ANGULAR	0.X	±0.1	Scale	10
Eng	GOISNARD	2006/03/06	LINEAR	0.XX	±0.1	ECN	LS08-0057
Chr	LEGARE	2006/03/06	0.XX	0.XXX	±0.1	Product family	BACKPANEL
Appr	LEGARE	2006/03/06	0.XX	±2°		Spec ref	-
FCI		COAX INSERT		Rev.		R	
FEMALE STRAIGHT CTW		catalog no		77427		CUSTOMER sheet 2 of 5	



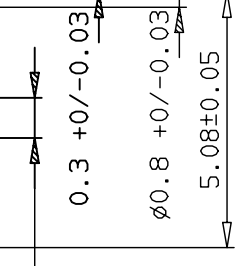
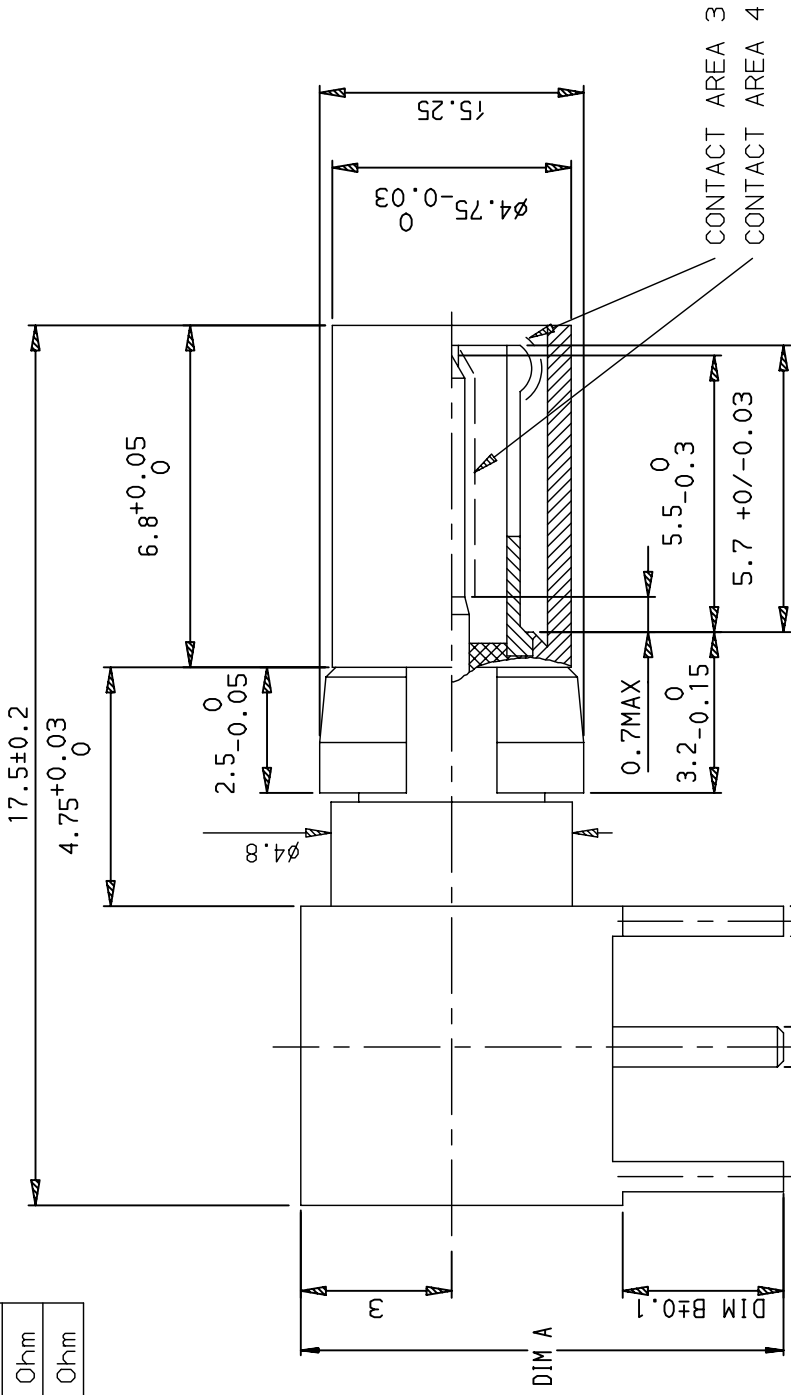
4

3

2

1

LEAD-FREE PART NUMBER	DIM A	DIM B	IMPEDANCE
77427-X03LF	9.6	3.2	50 Ohm
77427-X13LF	10.4	4.0	50 Ohm



- NOTES:
1. UNDERPLATING Ni
 2. DIMENSIONS ACCORDING TO DIN 41626
 3. GENERAL TOLERANCE ± 0.10
 4. THIS PRODUCT WITH "LF" SUFFIX MEETS EUROPEAN UNION DIRECTIVES AND OTHER COUNTRY REGULATIONS AS DESCRIBED IN GS -22-008.
 5. THE PRODUCT WILL WITHSTAND 260 DEGREE PEAK TEMPERATURE FOR 30 SECONDS IN A WAVE SOLDER APPLICATION WITH 1.6mm MINIMUM THICK CIRCUIT BOARD. MANUFACTURING SOLDER PROCESS.
 6. PACKAGING SPEC: SEE GS-14-920

www.fciconnect.com		surface	ISO 1302	tolerance std	ISO 406 ISO 1101	projection	mm
		TOLERANCES UNLESS OTHERWISE SPECIFIED					
Dr	GOISNARD	2006/03/06	ANGULAR	0.X	± 0.1	size	A3
Eng	GOISNARD	2006/03/06	L INEAR	0.XX	± 0.1	Scale	10
Chr	LEGARE	2006/03/06	0.XX	0.XXX	± 0.1	ECN	LS08-0057
Appr	LEGARE	2006/03/06	Product family	BACKPANEL		Spec ref	-
		MALE COAX INSERT R.A. STB catalog no		Rev. 2 77427		CUSTOMER sheet 3 of 5	

REV F - 2006-04-17

2

3

4



Copyright FCI

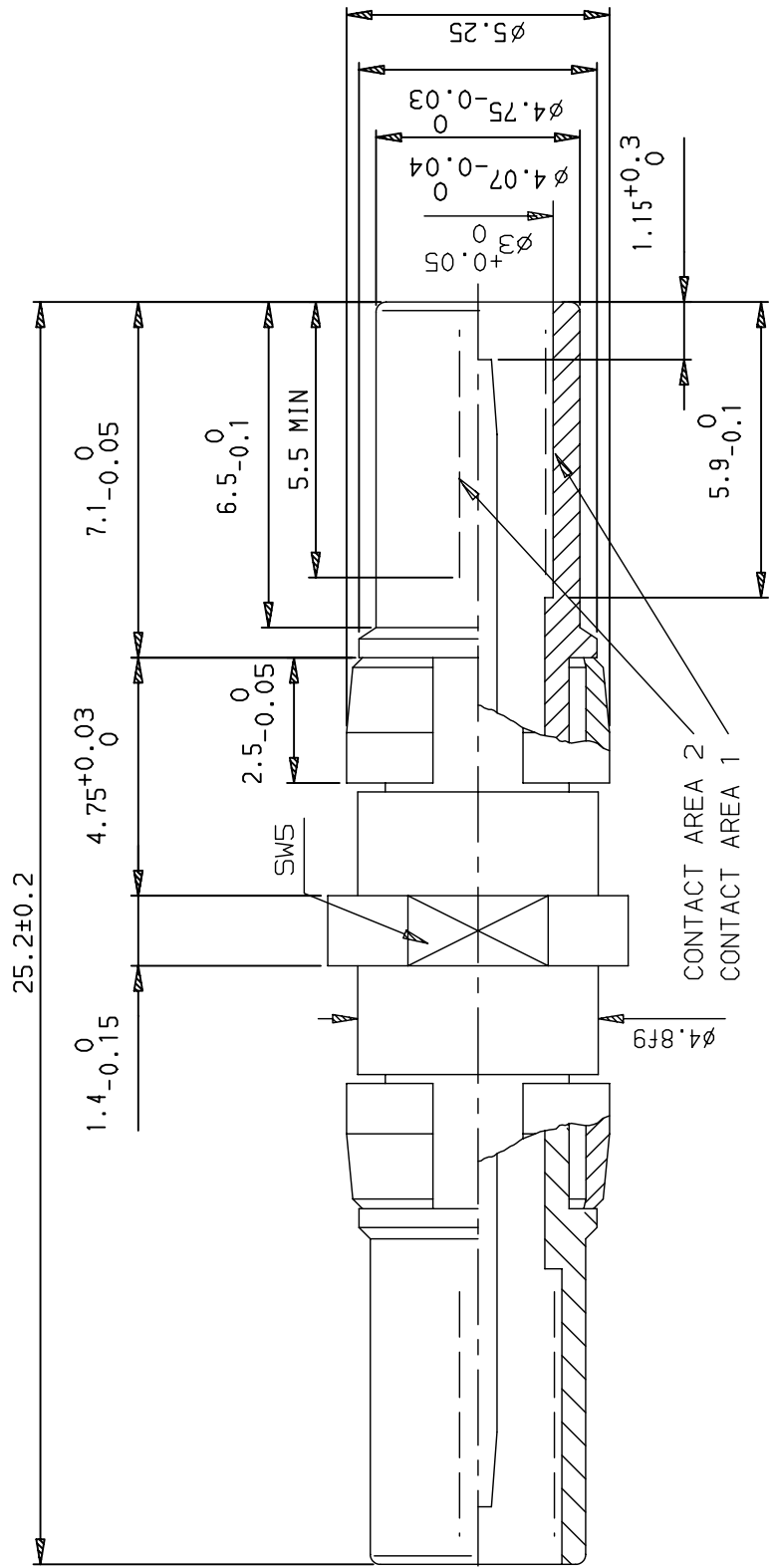
4

3

2

1

LEAD-FREE P/N	IMPEDANCE
77427-X04LF	50 Ohm



- NOTES:
1. UNDERPLATING Ni
 2. DIMENSIONS ACCORDING TO DIN 41626
 3. GENERAL TOLERANCE ±0.10
 4. THIS PRODUCT WITH "LF" SUFFIX MEETS EUROPEAN UNION DIRECTIVES AND OTHER COUNTRY REGULATIONS AS DESCRIBED IN GS -22-008.
 5. THE PRODUCT IS NOT INTENDED TO BE EXPOSED TO A MANUFACTURING SOLDER PROCESS.
 6. PACKAGING SPEC: SEE GS-14-920
 7. CONTACT AREA PLATING: SEE SHEET 1

REV F - 2006-04-17

1

2

3

4

European Views

www.fciconnect.com		surface	ISO 1302	tolerance std	ISO 406 ISO 1101	projection	mm
		TOLERANCES UNLESS OTHERWISE SPECIFIED		0.X ±0.1		size	A3
Dr	GOISNARD	2006/03/06	ANGULAR	0.XX ±0.1	Scale	10	
Eng	GOISNARD	2006/03/06	L INEAR	0.XXX ±0.1	ECN	LS08-0057	
Chr	LEGARE	2006/03/06	0.XX' ±2°	Product family			
Appr	LEGARE	2006/03/06	BACKPANEL		Spec ref -		
FCI		COAX COUPLER		Rev.		77427	
FEMALE 50 SHORT		catalog no		CUSTOMER		sheet 4 of 5	



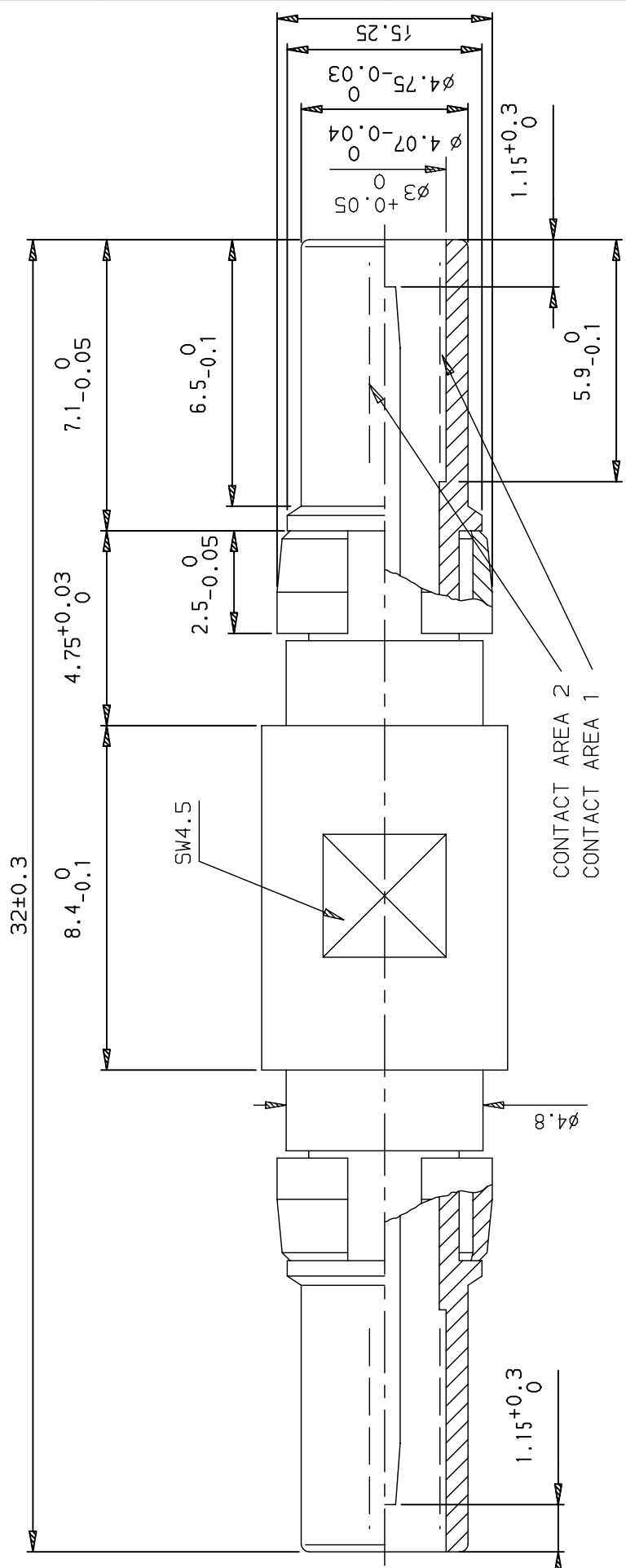
4

3

2

1

LEAD-FREE P/N	IMPEDANCE
77427-X05LF	50 Ohm



NOTES:

1. UNDERPLATING Ni
2. DIMENSIONS ACCORDING TO DIN 41626
3. GENERAL TOLERANCE ±0.10
4. THIS PRODUCT WITH "LF" SUFFIX MEETS EUROPEAN UNIDIRECTIVES AND OTHER COUNTRY REGULATIONS AS DESCRIBED IN GS -22-008.
5. THE PRODUCT IS NOT INTENDED TO BE EXPOSED TO A MANUFACTURING SOLDER PROCESS.
6. PACKAGING SPEC: SEE GS-14-920
7. CONTACT AREA PLATING: SEE SHEET 1

European Views

www.fciconnect.com		surface	ISO 1302	tolerance std	ISO 406 ISO 1101	projection	mm
		TOLERANCES UNLESS OTHERWISE SPECIFIED					
Dr	GOISNARD	2006/03/06	ANGULAR	0.X	±0.1	size	A3
Eng	GOISNARD	2006/03/06	LINEAR	0.XX	±0.1	Scale	10
Chr	LEGARE	2006/03/06	0.XX	0.XXX	±0.1	ECN	LS08-0057
Appr	LEGARE	2006/03/06	Product family	BACKPANEL		Spec ref	-
COAX COUPLER FEMALE 50 LONG catalog no		2		2		Rev.	
		3		4		77427	
						CUSTOMER sheet 5 of 5	

REV F - 2006-04-17

2

3

4

A

B

C

D



Copyright FCI