



Search:

Go

Products

Catalogs

Search

Customer Support

About Cannon

Home



D Subminiature Accessories

PART NUMBER: 250-8501-013

Image Disclaimer:

Please use Customer Drawing for design activity: line art and other pictures are general representations of product dimensions.



[View Line Drawings](#)

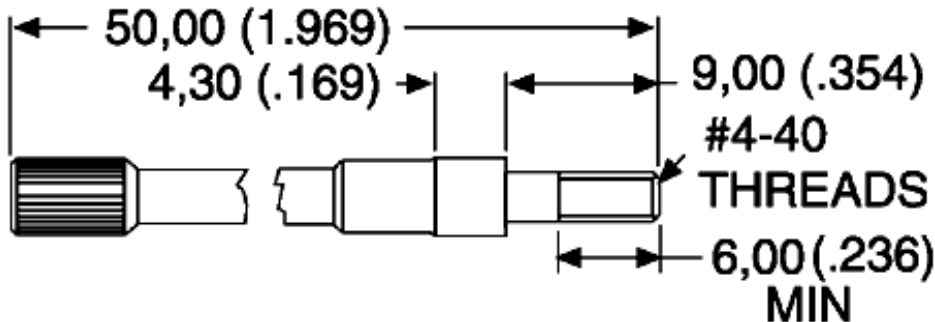
[Sales Support](#)

[Ask a Specialist](#)

[Product Home](#)

[Stock Check](#)

Product Group	D Subminiature Accessories
Where Sold	Europe, Americas, Asia Pacific
D Sub Accessory type	EMI Shielded Endbell
Application Type	Commercial
Shell Size	DD, DE, DB, DC, DA
Material	Brass
D Sub Accessory Style	4-40 Thumb Screw
Finish/Treatment	Nickel
Note 1	Order 2 per connector.
Note 2	Compatible with D*121 series
Footnote	Dimension are shown in mm (inch). Dimensions subject to change.
For more information	Please Contact Cannon Sales Department.



[Sign In](#) | [Contact Us](#) | [Legal Disclaimer](#) | [Privacy Policy](#) | [Home](#)

© 2006 ITT Industries