

**MICRO SWITCH**  
a Honeywell Division  
FED. MFG. CODE 91929

**SWITCH - BASIC**

CATALOG LISTING  
**V3L-3339**  
**CQ-X2868**

REPLACES X91253-V3L

RELEASE NO. PR-19362

V3L-3339

CATALOG LISTING

**M**

ISSUE  
**2**

CHECK

REVISIONS

A CD-76298  
JAK  
11 NOV 93

CHECK

18 MAR 92

D C S

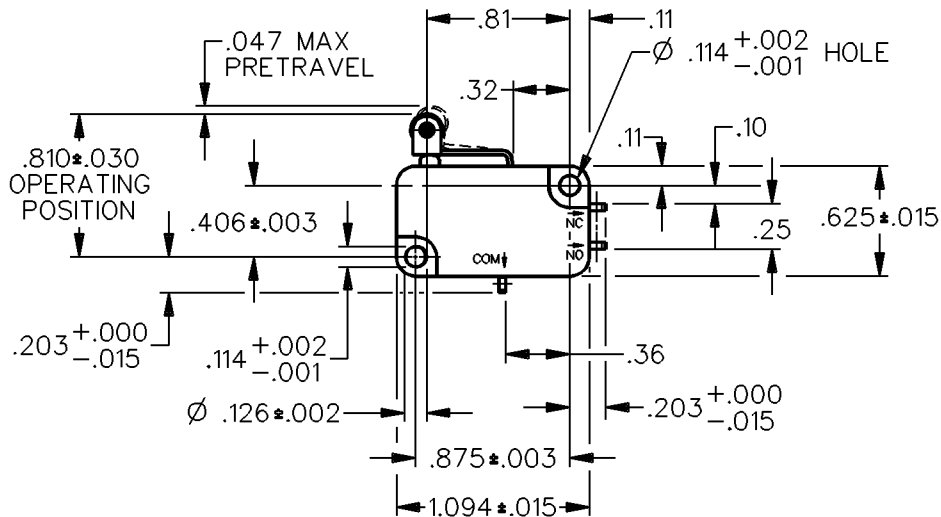
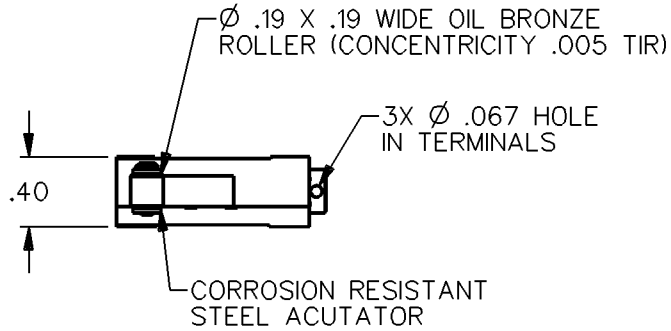
CHECK

9 MAR 92

J A L

DRAWN

DDM/CAD



NOTES

- 1 - TERMINALS ARE SILVER PLATED FOR SOLDERING
- 2 - SWITCH MATERIAL WILL WITHSTAND TEMPERATURE OF 300°F
- 3 - HOLE IN TERMINALS MAY BREAK OUT

ANSI Y14.5M-1982 APPLIES

THIS DRAWING COVERS A PROPRIETARY ITEM AND IS THE PROPERTY OF MICRO SWITCH, A DIVISION OF HONEYWELL. THIS DRAWING IS NOT TO BE COPIED OR USED WITHOUT THE APPROVAL OF MICRO SWITCH.

THIRD ANGLE PROJECTION

CHARACTERISTICS	ELECTRICAL DATA	SCALE FULL	DO NOT SCALE PRINT
OPERATING FORCE --- 150 GRAMS MAX	CONTACT ARRANGEMENT S P D T	<b>UNLESS OTHERWISE SPECIFIED TOLERANCES ARE</b> ONE PLACE (.0) ± .030 TWO PLACE (.00) ± .015 THREE PLACE (.000) ± .005 ANGLES ± WEIGHT	
RELEASE FORCE --- 15 GRAMS MIN	L83 15.1A 1/2HP 125, <u>250</u> VAC 1/2A 125 VDC, 1/4A 250 VDC 5A 125 VAC "L"		
DIFFERENTIAL TRAVEL --- .002-.010			
OVERTRAVEL --- .040 MIN			
RELEASE TRAVEL --- .007 MIN			