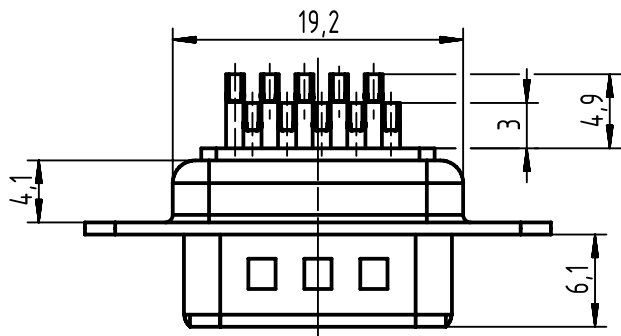
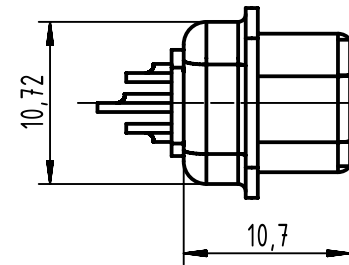
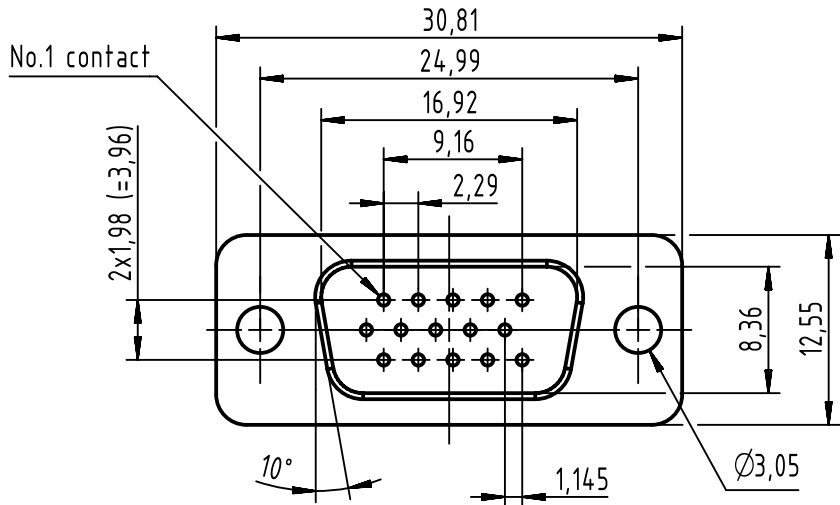



1 2 3 4 5 6



Entry hole type: stamped contact

	All rights reserved Department EC PD - CN	All Dimensions in mm Original Size DIN A4		Scale 2:1	Free size tol.		Ref.	
		Created by ZHUANGJ	Inspected by LUOK	Standardisation SCHREIER	Date 2016-12-14	State Final Release		
HARTING Electronics GmbH D-32339 Espelkamp			Title D-Sub HD 15-pole male straight solder cup				Doc-Key / ECM-Nr. 100513263/UGD/001/B 5000001124.10	
0965 100 5615 050 Part number	S4 Performance level	Type TB	Number 09561005615050		Rev. B	Page 1/1		

Mouser Electronics

Authorized Distributor

Click to View Pricing, Inventory, Delivery & Lifecycle Information:

[HARTING:](#)

[09561005615050](#)