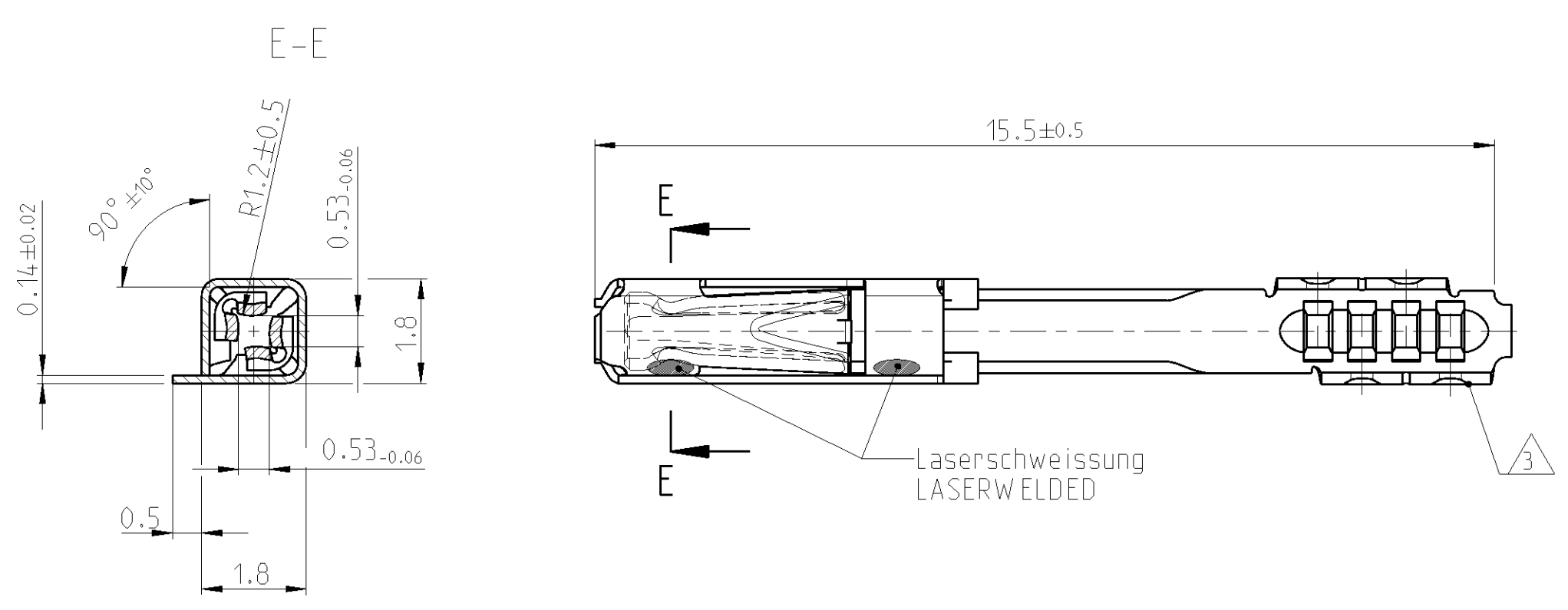
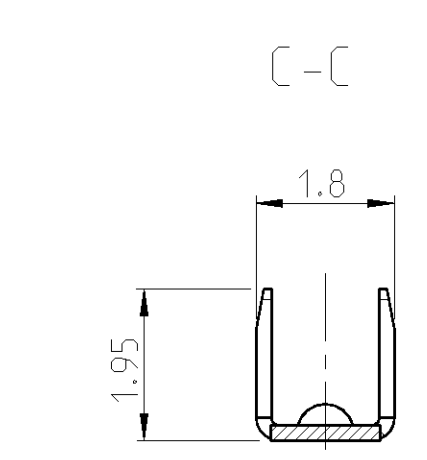
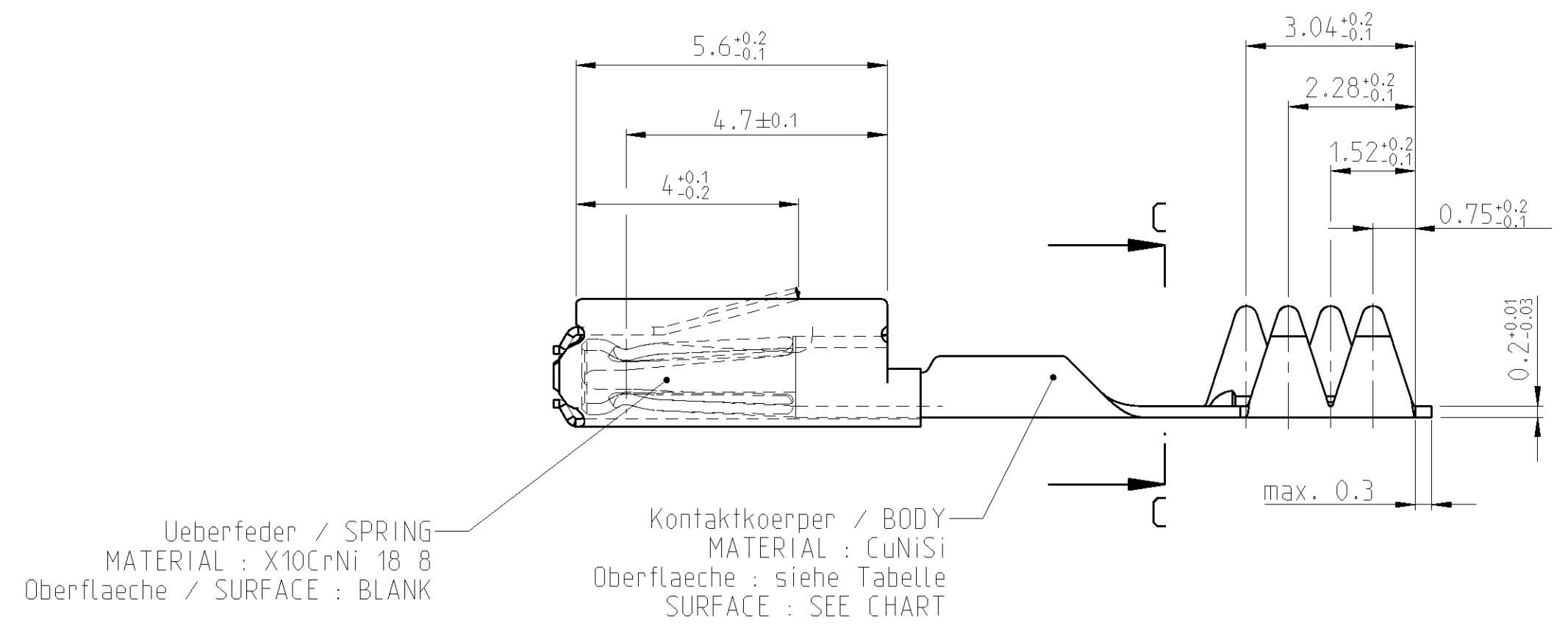


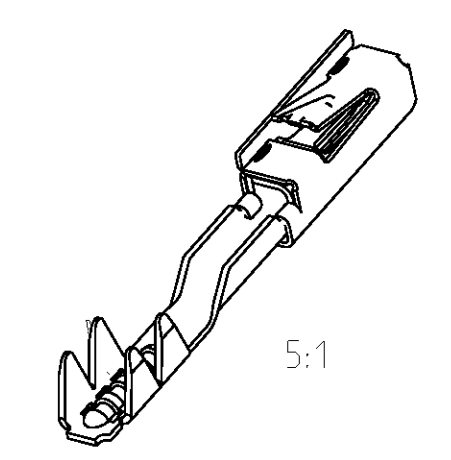
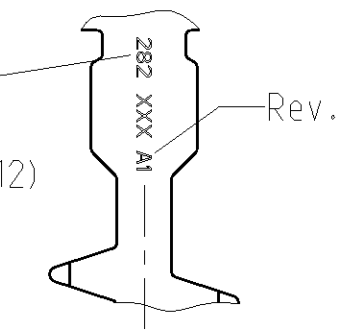
THIS DRAWING IS UNPUBLISHED. RELEASED FOR PUBLICATION 2004
 © COPYRIGHT 1999 Tyco Electronics AMP GmbH ALL RIGHTS RESERVED.

LOC	DIST	REVISIONS				
		P	LTR	DESCRIPTION	DATE	DWN
A1	-	A1	EGAO 0795 04	05APR2004	Abr	HK
		A2	EGAO 2122 04	23SEP2004	Abr	HK
		A3	ECR-11-016077	05NOV2012	Abr	Brun
		A4	ECR-13-015135	27SEP2013	Abr	Brun



Bemerkungen
 NOTES

- Einzelheiten der Ausfuehrung bleiben dem Hersteller ueberlassen
 DETAILS OF DESIGN ARE LEFT TO MANUFACTURER
- Passend zu Stifkontakt siehe Zeichnung : 929453
 SUITABLE FOR PIN CONTACT SEE DRAWING : 929453
- passend fuer flexiblen Flachleiter PN 88586
 SUITABLE FOR FFC PN 88586
- Datumcode (Woche / Jahr, z.B. KW28 / Jahr 2012) und TE-Revision (z.B.Rev.A)
 DATE-CODE WEEK / YEAR (E.G. WEEK NUMBER 28/ YEAR 2012)
 AND TE REVISION (E.G. REV. A)



929387-1	A	Sn	0.12
Bandware Bestell-Nr	REV.	Oberflaeche SURFACE	Gewicht WEIGHT
STRIP ORDER NO.			g

THIS DRAWING IS A CONTROLLED DOCUMENT.		DWN S. Garcia 30APR1998	TE Connectivity	
DIMENSIONS: mm		CHK R. Jetter 30APR1998		
TOLERANCES UNLESS OTHERWISE SPECIFIED:		APVD Bleicher M. 05APR2004	NAME MQS-RECEPTACLE CONTACT WITH FFC-CRIMP Micro Quadlok System FLEXIBLE FLAT CABLE SOCKET CONTACT	
		PRODUCT SPEC 108-18030	SIZE A2	CAGE CODE 00779
MATERIAL		APPLICATION SPEC 114-18287	DRAWING NO G-929387	RESTRICTED TO -
FINISH		WEIGHT -	SCALE 10:1	SHEET 1 OF 1
-		Customer Drawing	REV A4	

Mouser Electronics

Authorized Distributor

Click to View Pricing, Inventory, Delivery & Lifecycle Information:

[TE Connectivity:](#)

[929387-1](#)