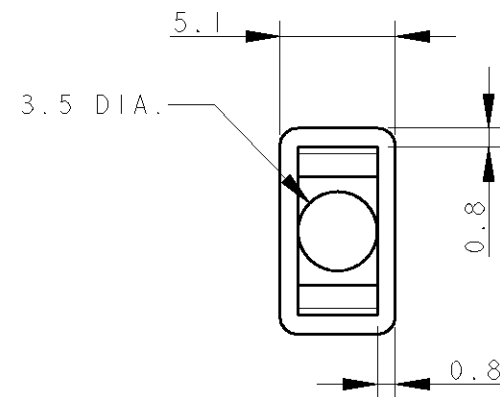
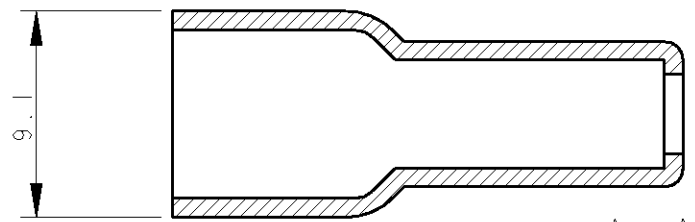
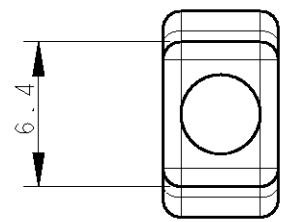
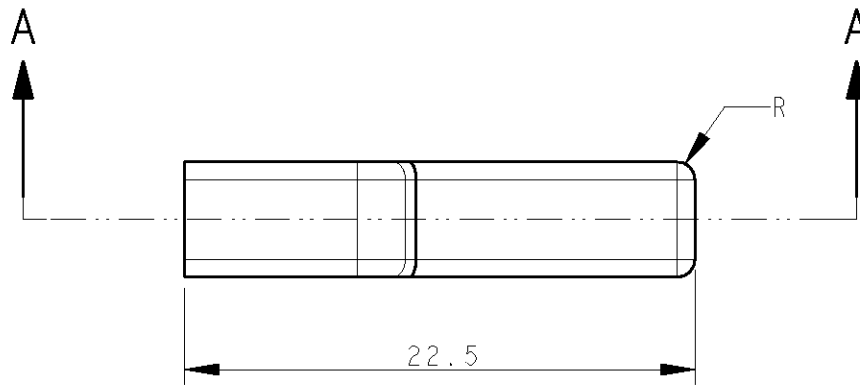


THIS DRAWING IS UNPUBLISHED. RELEASED FOR PUBLICATION 2003
 © COPYRIGHT 2003 BY TYCO ELECTRONICS CORPORATION. ALL RIGHTS RESERVED.

LOC	DIST	REVISIONS					
		P	LTR	DESCRIPTION	DATE	DWN	APVD
1	-	G1		REDRAWN, ET00-0212-04	19 OCT 2004	HY	GT
		G2		REVISED PER - ECO-09-026346	26NOV09	KK	AEG

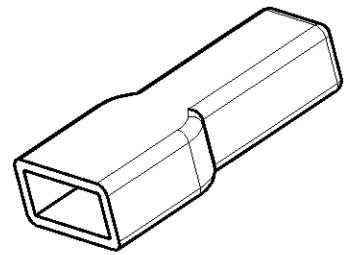


SECTION A - A

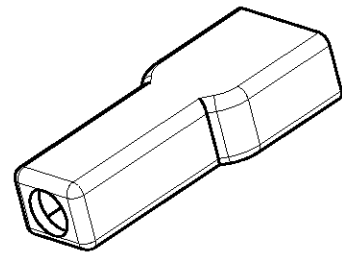


- 1 POLYETHYLENE
- 2 PA6 UNFILLED, UL 94 V2, VERSION ACCORDING TO IEC 60695-2-11, IEC 60335-1, GLOW WIRE.
- 3 OBSOLETE PARTS: OBSOLETE CIS STREAMLINING PER D.RENAUD/D.SINISI

NOTE	COLOUR	MATERIAL	TYCO P/N	REV
	NATURAL	SEE NOTE 2	3-180930-0	G
	ORANGE		2-180930-9	G
OBSOLETE 3	GRAY		2-180930-7	G
	BROWN		2-180930-6	G
	BLACK		2-180930-5	G
OBSOLETE 3	YELLOW	SEE NOTE 1	2-180930-4	G
	BLUE		2-180930-3	G
	GREEN		2-180930-2	G
	RED		2-180930-1	G
	NATURAL		2-180930-0	G



SCALE 2:1



THIS DRAWING IS A CONTROLLED DOCUMENT FOR TYCO ELECTRONICS CORPORATION IT IS SUBJECT TO CHANGE AND THE CONTROLLING ENGINEERING ORGANIZATION SHOULD BE CONTACTED FOR THE LATEST REVISION.

DIMENSIONS: mm		TOLERANCES UNLESS OTHERWISE SPECIFIED:	
		0 PLC	±-
		1 PLC	±0.4
		2 PLC	±-
		3 PLC	±-
		4 PLC	±-
		ANGLES	±1°
MATERIAL SEE TABLE		FINISH	-

DWN	H. YAALI	13JUL2004
CHK	-	-
APVD	-	-
PRODUCT SPEC	108-20035	
APPLICATION SPEC	-	
WEIGHT	-	
CUSTOMER DRAWING		

tyco Electronics		tyco Electronics AMP Italia S.p.A. C.so F.lli Cervi, 15 COLLEGNO (TO)	
INSULATING BOOT			
SIZE	CAGE CODE	DRAWING NO	RESTRICTED TO
A3	00779	C-180930	-
SCALE 3:1		SHEET 1	OF 1
		REV	G2

Mouser Electronics

Authorized Distributor

Click to View Pricing, Inventory, Delivery & Lifecycle Information:

[TE Connectivity:](#)

[2-180930-1](#)