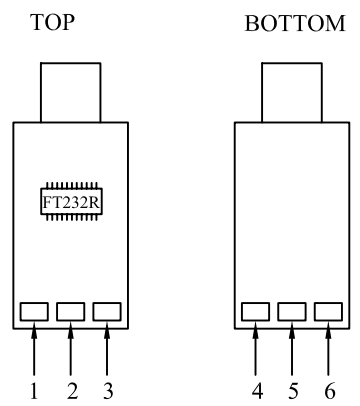


NOTES:  
 1.ELECTRICAL TEST:100% OPEN,SHORT&MISSWIRE TEST.  
 2.CONDUCTOR RESISTANCE:2ohm,  
 INSULATOR RESISTANCE:10M ohm.  
 3.HIGH VOLTAGE:DC 300V 0.01sec.  
 4.MUST BE ROHS COMPLIANT.

FTDI-FT232R-PCB



PIN WIRING

P1		P2
1	BLACK	1(Ground)
2	BROWN	2(CTS)
3	RED	3(VCC)
4	ORANGE	4(TXD)
5	YELLOW	5(RXD)
6	GREEN	6(RTS)

BOM		PL-EF-04	
6	Housing	Dupont 2.54mm 1*6P HOUSING	1PCS
5	Terminal	Dupont 2.54mm TERMINAL	6PCS
4	Tube	Ø4.0*10mm HEAT TUBE COLOR BLACK	1PCS
3	ASSY SHELL	ALUMINIUM ALLOY SHELL	1SET
2	Connector	FTDI-FT232R-PCB(5V) TYPE C CONNECTOR PLASTIC:WHITE	1PCS
1	Cable	UL2464 28AWG(7/0.12TC)*6C (RED,BROWN,ORANGE,BLACK, YELLOW,GREEN)+ALUMINIUM FOIL PVC JACKET COLOR:BLACK OD=5.0±0.1mm	1PCS
NO.	Name	SPECIFICATION	Q'TY

Premier Cable MFG Co Ltd

TITLE		TYPE C TO TTL CABLE (5V)			
	CUSTOMER				
	CUSTOMER'S ITEM				
SCALE	1:1	DRAWN BY	Steve	DATE	2019-8-29
UNIT	mm	CHECKED BY		DRAWING NO.	
REV.	A	APPROVED BY		FC-USB-120	

# Mouser Electronics

Authorized Distributor

Click to View Pricing, Inventory, Delivery & Lifecycle Information:

[Adafruit:](#)

[4364](#)