

PRODUCT NUMBER

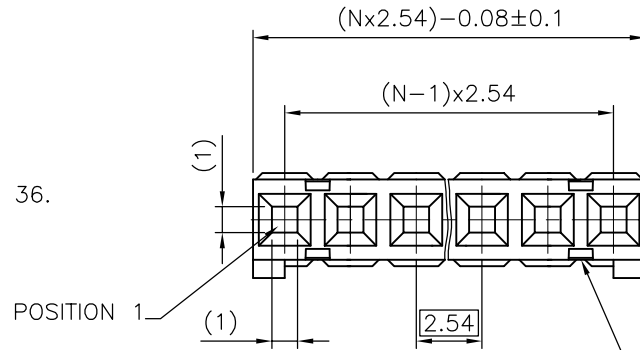
65240-0XXYLF

WHEN NEEDED, SUFFIX LETTER "LF"  
INDICATES THE PRODUCT IS RoHS  
COMPLIANT, SEE NOTE 6

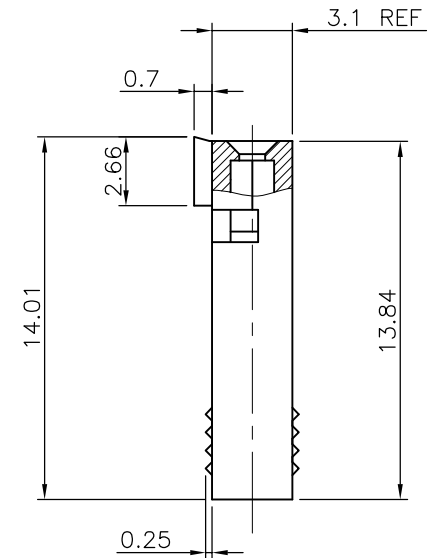
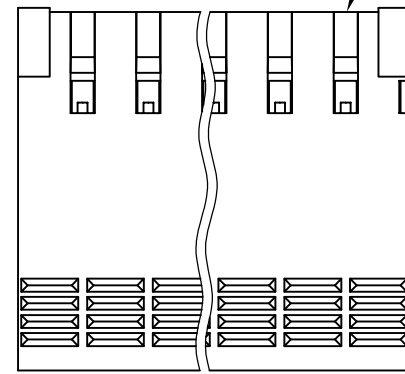
PACKAGING, NOTE 3

NUMBER OF CAVITIES PER ROW: 02 TO 36.

PLASTIC MATERIAL.



SEE NOTE 2



NOTES:

- 1 - HOUSING MAT'L: THERMOPLASTIC GLASS FILLED  
FLAME RETARDANT PER UL 94 V-0 COLOR: BLUE.
- 2 - OVER DASH -007 ONLY FIRST AND  
LAST THREE POSITIONS MUST HAVE  
GROOVES ON TWO SIDES.
- 3 - PACKAGING :  
= PACKAGING POLYBAGS  
"V" = PACKAGING POLYBAGS FOR CUSTOMER DEDICATED PART

- 4 - TO DETERMINE DIMENSIONS:  
N = NUMBER OF POSITIONS  
EXAMPLE: 8 POS: (N x 2.54) - 0.08 = 20.24 mm.
- 5 - FOR TECHNICAL APPLICATION SEE TA317.
- 6 - RoHS COMPATIBLE PRODUCT SPECIFICATIONS

- a - LABELING:  
- MEETS PACKAGING SPECS AS PER GS-14-920

- b - LEGAL STATEMENT: SEE GS-22-008

THE PRODUCT IS NOT INTENDED TO BE EXPOSED TO A  
MANUFACTURING SOLDER PROCESS.

mat'l. code SEE NOTE		surface ISO 1302		tolerance ISO 406 ISO 101		projection 101		product family DUBOX			
ltr		ecn no		date		tolerances unless otherwise specified		title			
P	F06-0146	DLE	06.03.10	angles	linear	±0.3		CtW HOUSING SR			
R	F06-0225	DLE	06.07.07								
S	F07-0168	PNZ	07.04.02	±2'		scale 5:1					
T	F-27116	LMU	17.05.30	dr	G CORBOZ	01.01.05			sheet 1 of 1 size		
U	F-31150	LMU	18.09.04	enr	P NIZZI	01.01.05			A3		
N	F05-0286	DLE	05.11.07	chr	JF NOTTEAU	01.01.05			65240		
sheet index		revision sheet		appd		P NZ		type		CUSTOMER Drawing	