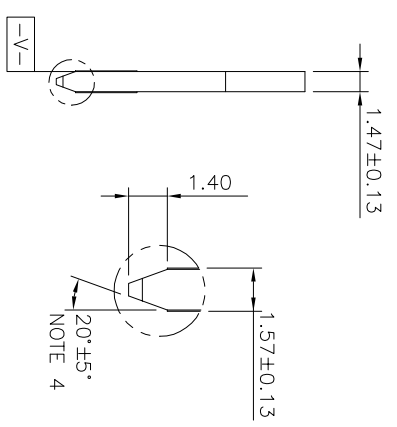
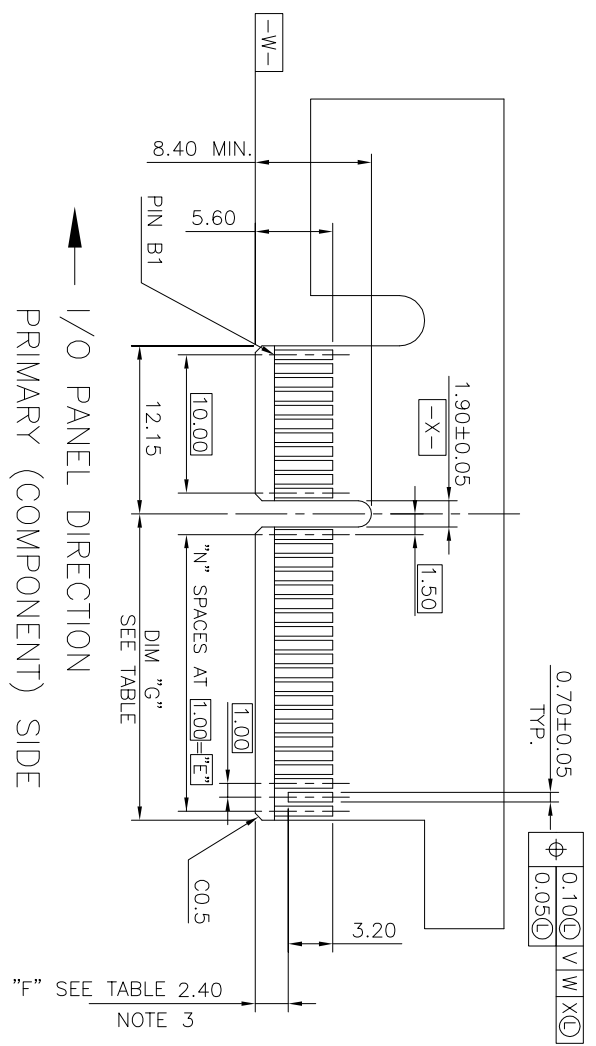


SCALE 2:1

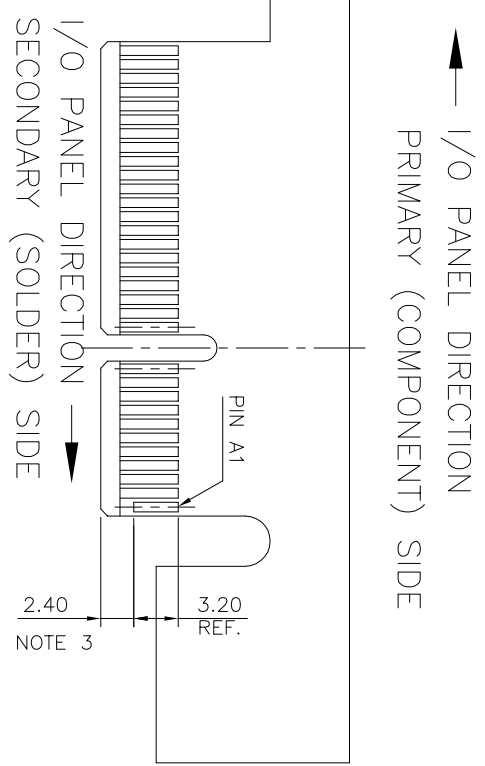
RECOMMEND OF PCB DIMENSIONS

# POS REF.	N	DIM "H"	DIM "E"
36	6	12.30	6.00
64	20	26.30	20.00
98	37	43.30	37.00
164	70	76.30	70.00

mat'l. code	surface	tolerance	projection	product family
	ASME Y14.5		MM	PCI EXPRESS
tr	ecn no	dr	date	title
				PCI_EXPRESS_CARD_EDGE_GEN3
				STRADDLE_MOUNT_ASSY
				scale N/A
				dwg no 10025026
				sheet 2 of 7
				size A4
sheet	revision	L		
index	sheet	7		



SCALE 2:1



ADD-IN CARD EDGE-FINGER DIMENSIONS

# POS REF.	N	DIM "G"	"F"
36	6	8.15	B17
64	20	22.15	B31
98	37	39.15	B48
164	70	72.15	B81

mat'l. code	surfact	tolerance	projection	product family
	ASME Y14.5			PCI EXPRESS
lfr	ecm no	dr	date	title
				PCI_EXPRESS_CARD_EDGE_GEN3
				STRADDLE_MOUNT_ASS'y
				scale N/A
				dwg no
				10025026
				sheet 3 of 7
				size
				A4
sheet	revision	L		type
index	sheet	7		CUSTOMER Drawing

NOTES:

1. MATERIAL: RATED.
HOUSING: HIGH TEMPERATURE NYLON, GLASS FILLED UL94V-0
TERMINAL: COPPER ALLOY
PLATING: SEE PRODUCT NUMBER CODE
METAL BOARD LOCKS: COPPER ALLOY
FINISH: 100u" TIN OVER 50u" NICKEL UNDERPLATE
2. PRODUCT SPECIFICATION: GS-12-233
- ③ NO THE BAR PERMITTED FROM CARD EDGE TO LEADING EDGE OF PAD FOR PINS A1 AND PIN NUMBERS "F".
- ④ CHAMFER EDGES MUST BE FREE OF CUTTING BURRS.
- ⑤ FREQUENCY & LOCATION AT SUPPLIER DISCRETION. RIDGE MAY BE CONTINUOUS WITH NO BREAKS.
6. ROHS COMPATIBLE PRODUCT SPECIFICATIONS
 - a - PLATING:
 - "LF" MEANS THE PRODUCT IS LEAD-FREE
 - b - MANUFACTURING PROCESS COMPATIBILITY
 - THE HOUSING WILL WITHSTAND EXPOSURE TO 260°C±5°C SOLDER BATH TEMPERATURE FOR 5 SECONDS IN A REFLOW SOLDER APPLICATION.

CONNECTOR	# POS	REF.	N	DIM "A"	DIM "B"	DIM "C"	"E"	"F"
1 PORT	36		6	7.65	25.00	12.50	6.00	34.8
4 PORT	64		20	21.65	39.00	26.50	20.00	48.8
8 PORT	98		37	38.65	56.00	43.50	37.00	65.8
16 PORT	164		70	71.65	89.00	76.50	70.00	98.8

PRODUCT NUMBER CODE
10025026 -X 0 X 0 X I 0 0

LEAD FREE OPTION

"LF" FOR TERMINAL PLATING OPTION 0.1,2

- HOUSING COLOR OPTIONS
- 0-NATURAL, HALOGEN
 - 1-BLACK, HALOGEN
 - 2-NATURAL, HALOGEN FREE
 - 3-BLACK, HALOGEN FREE

TERMINAL PLATING OPTIONS

- 0-50u" NI UNDERPLATE
- 30u" Au CONTACT AREA
- 100u" TIN TAIL AREA ----- COMPATIBLE ROHS
- 1-50u" NI UNDERPLATE
- 15u" Au CONTACT AREA
- 100u" TIN TAIL AREA ----- COMPATIBLE ROHS
- 2-50u" NI UNDERPLATE
- GOLD FLASH CONTACT AREA
- 100u" TIN TAIL AREA ----- COMPATIBLE ROHS
- 3-50u" NI UNDERPLATE
- 30u" Au CONTACT AREA
- 100u" TIN/LEAD TAIL AREA ----- INCOMPLIANT ROHS
- 4-50u" NI UNDERPLATE
- 15u" Au CONTACT AREA
- 100u" TIN/LEAD TAIL AREA ----- INCOMPLIANT ROHS
- 5-50u" NI UNDERPLATE
- GOLD FLASH CONTACT AREA
- 100u" TIN/LEAD TAIL AREA ----- INCOMPLIANT ROHS

POS OPTIONS

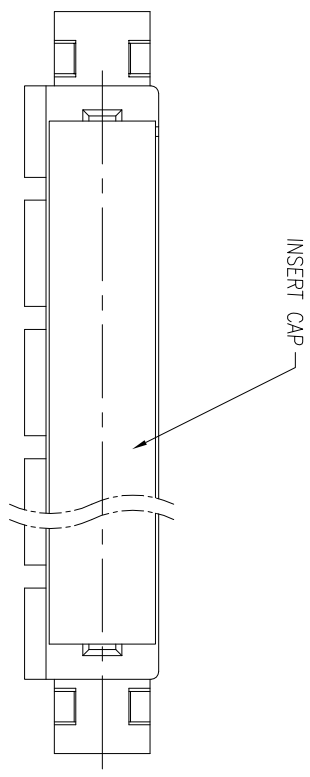
- 0-36
- 1-64
- 2-98
- 3-164

- PACKAGING OPTIONS
- T: TRAY PACKAGING(IN GENERAL VERTICAL DIRECTION)
 - C: TAPE & REEL WITH INSERT CAP (FOR 98P ONLY)
 - H: TRAY PACKAGING(IN SPECIAL HORIZONTAL DIRECTION FOR 164P ONLY)
 - P: TRAY PACKAGING WITH INSERT CAP
 - S: TRAY PACKAGING WITH INSERT CAP(IN SPECIAL HORIZONTAL DIRECTION)

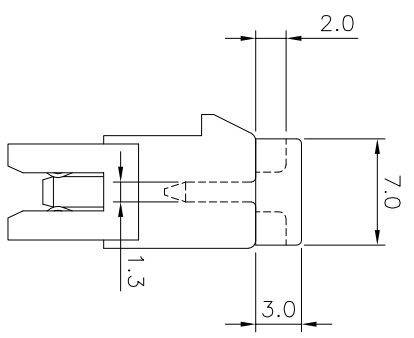
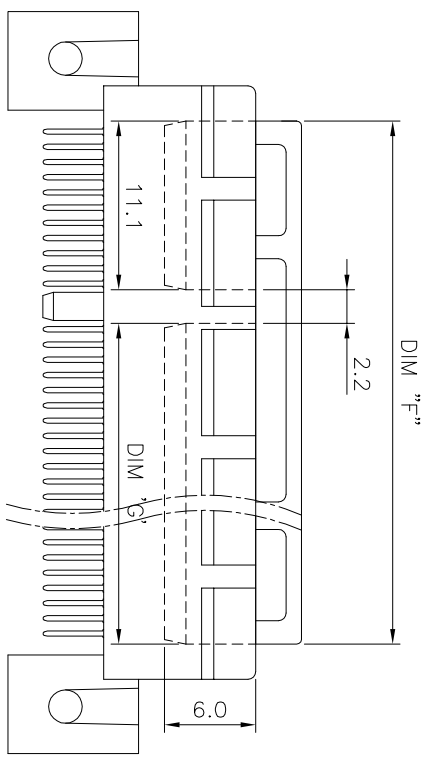
DIM "D"	PCB THICKNESS
3.85	+0.25
	-0.13
	1.56

TAIL LENGTH OPTIONS

mat'l. code	ec'n no	dr	date	surface	tolerance	projection	product family
				tolerances unless otherwise specified	ASME Y14.5		PCI EXPRESS
				angles	0.2, 0.30	MM	PCI_EXPRESS_CARD_EDGE_GEN3
				±Z	.001, 0.20		STRADDLE_MOUNT_ASS'y
				DR	ZHENHUA_LIU 2016-03-25	scale N/A	dwg no 10025026 sheet 4 of 7 size A4
				ENGR	ZHENHUA_LIU 2016-03-25		
				CHR	STONE_LI 2016-03-25		
				QPPD	PM_ZHENG 2016-03-25		
sheet index	revision	L	7				CUSTOMER Drawing



DIMENSIONS		
POSITION	F	G
36	20.4	7.1
64	34.4	21.1
98	51.4	38.1
164	84.4	71.1



NOTES:

1. MATERIAL:
INSERT CAP: THERMOPLASTIC UL94V-0; BLACK COLOR.

A

B

A

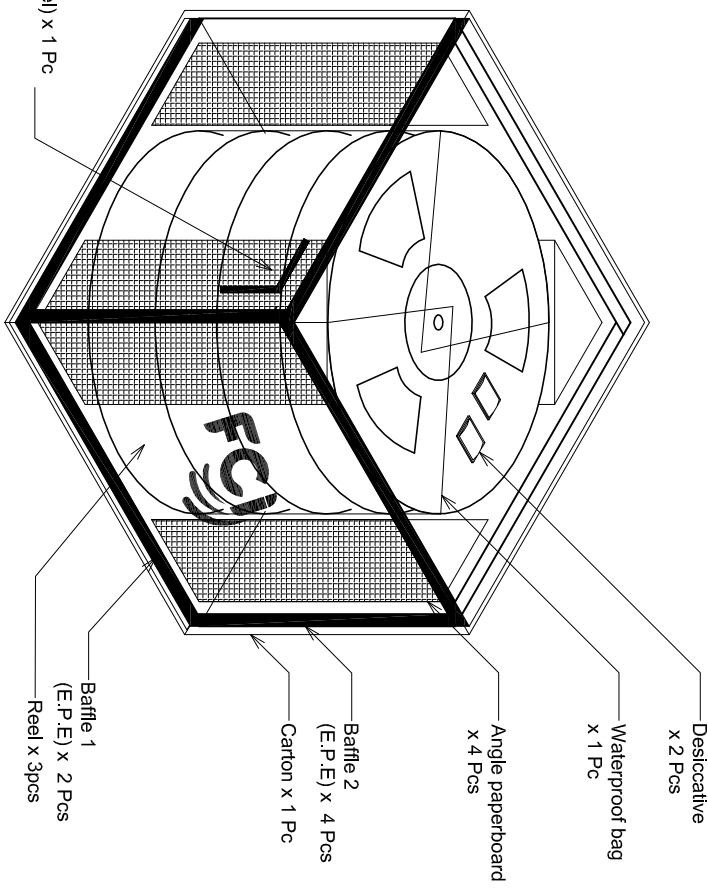
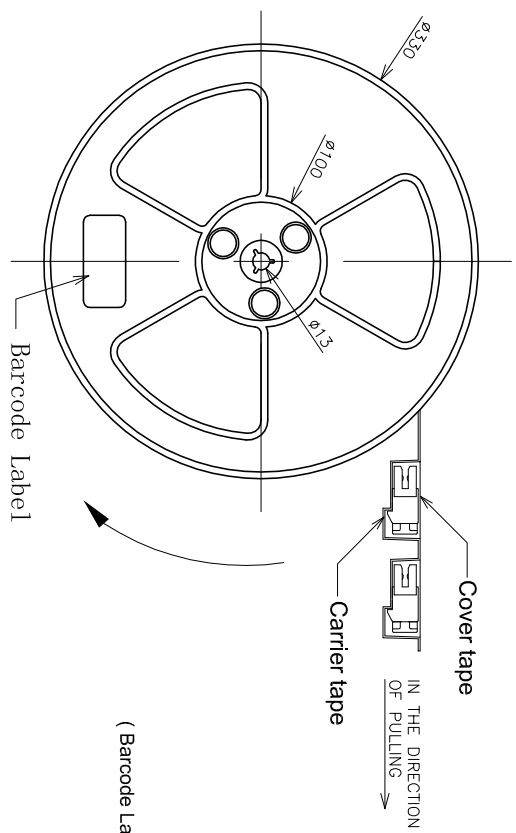
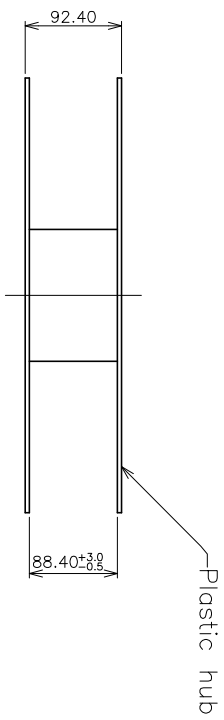
B

5

mat'l. code	-	surface	tolerance	projection	product family
itr	ecn no	dr	date	ASME Y14.5	PCI EXPRESS
				tolerances unless otherwise specified	
		angles	±2°	MM	title
		g	.00±0.20	scale N/A	PCI_EXPRESS_CARD_EDGE_GEN3
		dr	.000±0.10		STRADDLE_MOUNT_ASS'y
		eng	ZHENHUA_LIU		dwg no
		chr	STONE_LI		10025026
		qppd	PM_ZHENG		sheet 5 of 7
sheet	revision	L	2016-03-25		size
index	sheet	7	2016-03-25		A4



- NOTE:
1. REEL MATERIAL : PS, BLACK
 2. CARRIER MATERIAL : PS
 3. COVER TAPE MATERIAL : PS
 4. COVER TAPE REEL STRENGTHH : 13"
 5. QUANTITY : 150 PCS/REEL
 6. Carton : 380(L) * 380(W) * 300(H) mm



Part No	10025026-XXXX(LF)
---------	-------------------

NO. OF CONTACTS	98
REEL/CARTON	3
PCS/REEL	150
QUANTITY(PCS)	450

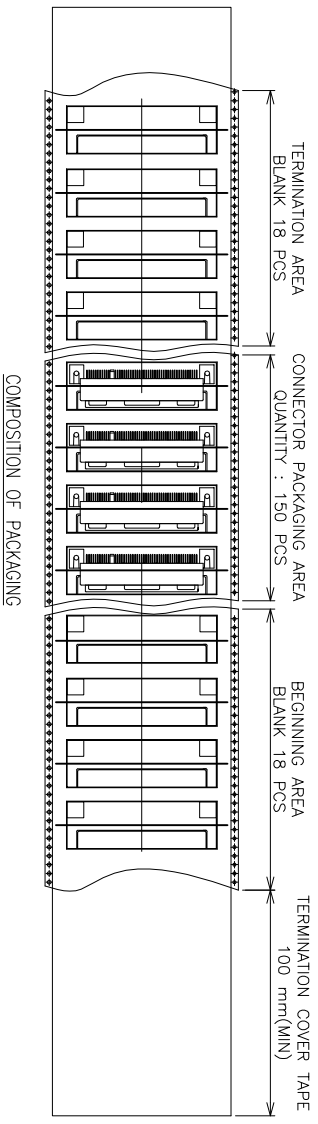
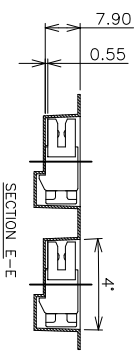
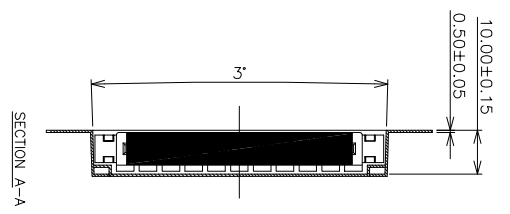
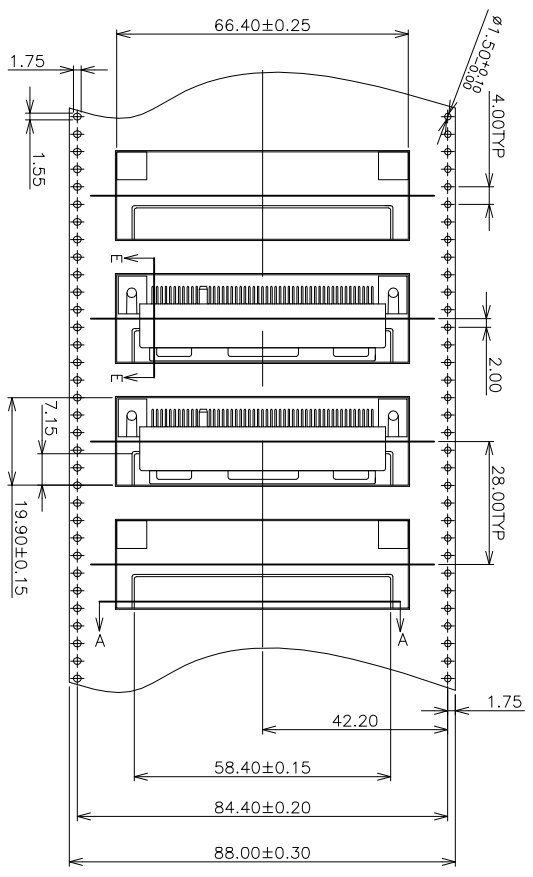
mat'l. code	surface	tolerance	projection	product family
	ASME_Y14.5			PCI_EXPRESS
itr	ecn no	dr	date	title
				PCI_EXPRESS_CARD_EDGE_GEN3
	angles			STRADDLE_MOUNT_ASS'y
	$\pm 2^\circ$.000±0.10	scale N/A	
dr	ZHENHUA_LIU	2016-03-25		dwg no
eng	ZHENHUA_LIU	2016-03-25		10025026
chr	STONE_LI	2016-03-25		sheet 6 of 7
qppd	PM_ZHENG	2016-03-25		size
				A4
sheet	revision	L		type
index	sheet	7		CUSTOMER Drawing



1 | 2

3

4



IN THE DIRECTION
OF PULLING

mat'l. code	surface	tolerance	projection	product family
ASME_Y14.5	tolerances unless otherwise specified	ASME_Y14.5	MM	PCI EXPRESS
ecn no	angles	±2°	MM	PCI_EXPRESS_CARD_EDGE_GEN3
dr	±2°	.000±0.10	scale N/A	STRADDLE_MOUNT_ASS'y
eng	ZHENHUA_LIU	2016-03-25	dwg no	10025026
chr	STONE_LI	2016-03-25	sheet 7 of 7	A4
qppd	PM_ZHENG	2016-03-25	size	A4
sheet index	revision	L	type	CUSTOMER Drawing
sheet	sheet	7		