

DASH NO.	M CODE	MADE FROM
----------	--------	-----------

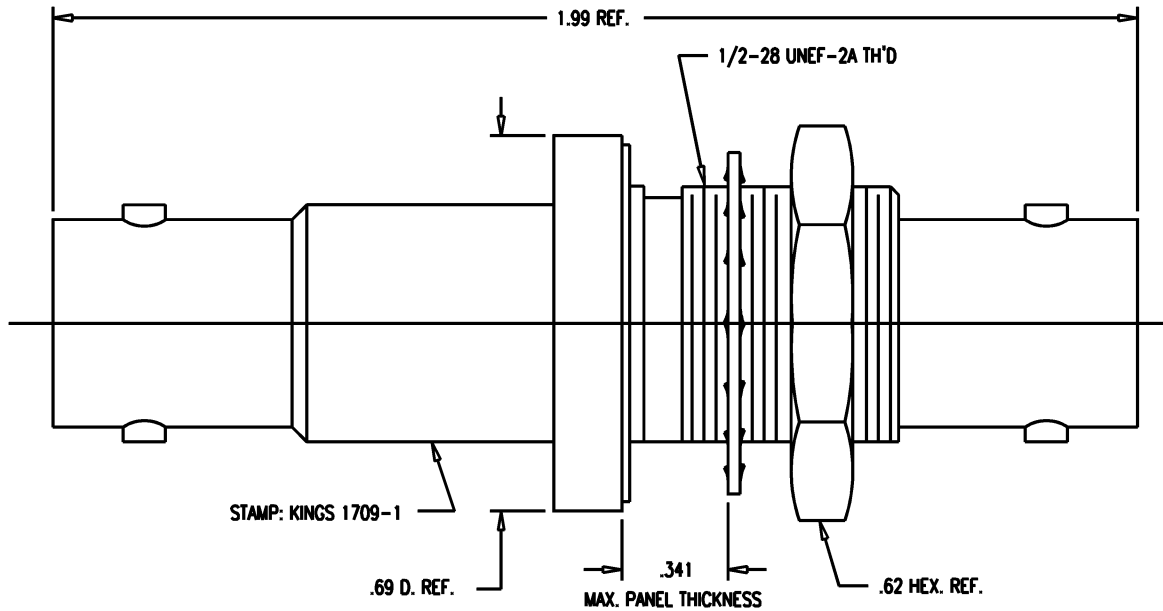
GSD

1709-1

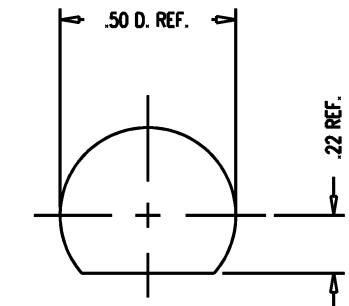
REVISIONS

ISSUE	CHANGES
3	CN 36706 C REDRAWN KH 11/30/95

KAM6256



- NOTES:
1. INTERFACE PER MIL-STD-348, FIG. 314-1.
 2. MATERIALS:
 GASKET: SILICONE RUBBER, ZZ-R-765
 INSULATOR: TEFLON, ASTM-D-4894
 LOCKWASHER: PHOSPHOR BRONZE, ASTM-B-103
 ALL OTHER METAL PARTS: BRASS, ASTM-B16
 3. FINISHES:
 CENTER CONTACT: GOLD PLATE PER MIL-G-45204
 ALL OTHER METAL PARTS: KINGS TARNISH RESISTANT NICKEL FINISH (TR-5)
 4. ELECTRICAL CHARACTERISTICS:
 NOMINAL IMPEDANCE: NON-CONSTANT
 VOLTAGE RATING: 3500 VRMS
 5000 VDC



MOUNTING HOLE

GSD

SCALE	4:1
APPROX SURFACE AREA	
USED ON	
REF:	
ADPT M-M, BKHD, SHV	
DRAWN	KH 04/30/92
DESIGN	AR 10/01/92
APPR.	DATE

KINGS
ELECTRONICS CO., INC.
TUCKAHOE, NEW YORK 10707

1709-1

Mouser Electronics

Authorized Distributor

Click to View Pricing, Inventory, Delivery & Lifecycle Information:

[Winchester Interconnect:](#)

[1709-1](#)