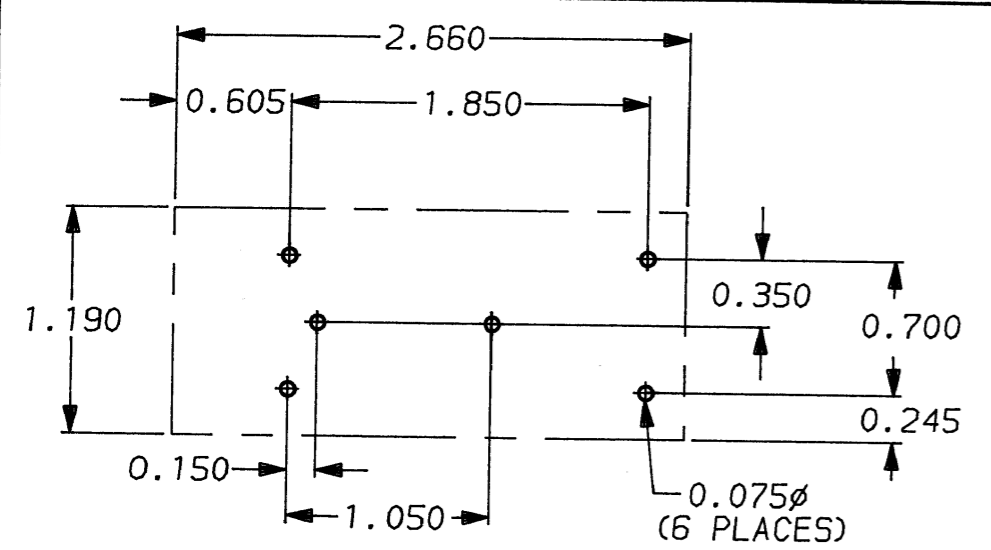
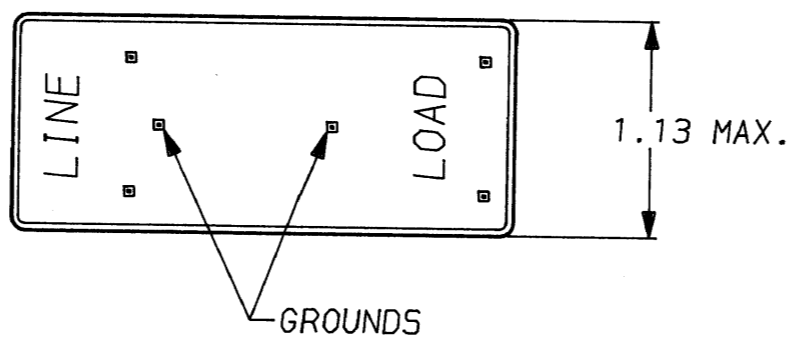
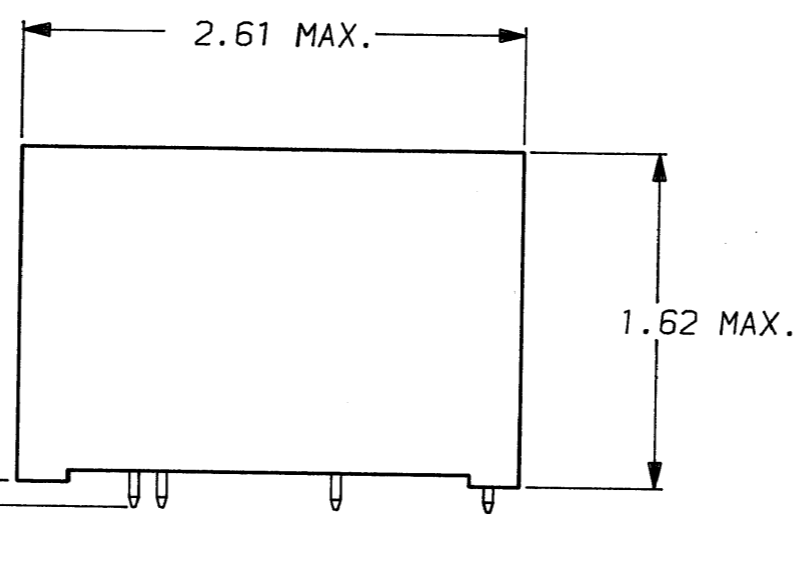


DESCRIPTION	APPROVED BY/DATE	REV
	C. Westby 7-10-90	2
ECO-09-026495	AEG / 07DEC09	3

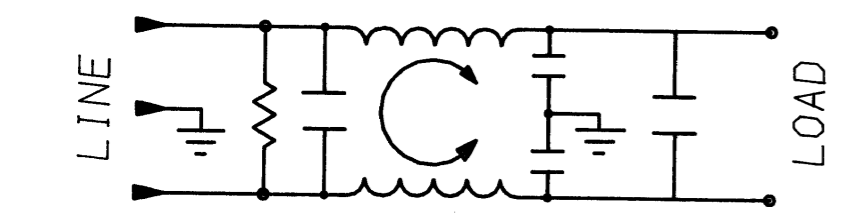


RECOMMENDED MOUNTING HOLES & CLEARANCE AREA
TOLERANCE UNLESS OTHERWISE SPECIFIED: ±.006



PINS: .065 MAX. DIAGONAL
(6 PLACES)

6609060-4
4609060-4 OBSOLETE



SAFETY ORGANIZATION(S):
THIS FILTER HAS BEEN FORMALLY RECOGNIZED, CERTIFIED OR APPROVED BY THE LISTED AGENCY. THEREFORE, ALL TEST/REQUIREMENTS SPECIFIED IN THE LATEST REVISION OF THE FOLLOWING AGENCY STANDARDS HAVE BEEN MET:

UL RECOGNIZED	UL 1283
CSA CERTIFIED	CSA 22.2, NO.0,0.4,8
VDE APPROVED	VDE 565-3

OPERATING SPECIFICATIONS:
LINE VOLTAGE/CURRENT: 4 AMP., 120/250 VAC
3 AMP./40°C, 250 VAC
50-60Hz

LINE FREQUENCY: 50-60Hz

MAX. LEAKAGE CURRENT, EACH LINE TO GROUND: .3mA @ 120V 60Hz
.5mA @ 250V 50Hz

OPERATING AMBIENT TEMP. RANGE: -10°C TO +60°C @ RATED CURRENT, I_r

IN AN AMBIENT, T_a, HIGHER THAN 60°C, THE MAXIMUM OPERATING CURRENT, I_o, IS AS FOLLOWS:

$$I_o = I_r \sqrt{\frac{85 - T_a}{25}}$$

RELIABILITY SPECIFICATIONS:
STORAGE TEMPERATURE: -40°C TO +85°C
HUMIDITY: 21 DAYS @ 40°C 95% RH
CURRENT OVERLOAD TEST: 6 TIMES RATED CURRENT FOR 8 SECONDS

TEST SPECIFICATIONS:
INDUCTANCE: 2.2mH NOMINAL
CAPACITANCE: (MEASURED @ 1 KHz, 0.25 VAC MAX., 25°C ±1°C)
LINE TO GROUND: 8000pF ±20%
LINE TO LINE: 0.43µF ±20%

DISCHARGE RESISTOR: 560 KΩ
LINE/GROUND AND LINE/LINE INSULATION RESISTANCE (WITHOUT DISCHARGE RESISTOR): 6000 MΩ (MIN) AT 100 VDC 20°C AND 50% RH

RECOMMENDED RECEIVING INSPECTION HIPOT:
LINES TO GROUND: 2250 VDC FOR 1 MINUTE
LINE TO LINE: 1450 VDC FOR 1 MINUTE

FILTER APPROVAL:
THE BEST WAY TO SELECT AND QUALIFY A FILTER IS FOR YOUR ENGINEERING TO TEST THE UNIT IN YOUR EQUIPMENT.

⚠ **OBSOLETE PARTS: OBSOLETE CIS STREAMLINING PER D.RENAUD/D.SINISI**

50Ω - 50Ω (MINIMUM) INSERTION LOSS										
FREQUENCY MHz	.01	.05	.07	.15	.50	1	3	5	10	30
COMMON dB	2	13	16	22	37	44	44	44	44	38
DIFF. dB	—	—	10	37	70	70	70	70	65	55

TOLERANCE EXCEPT AS NOTED
DECIMAL: .XXX .XX .X ANGLES ± 1°
ENGLISH: ±.025
METRIC: ± —

MATERIAL: AS SUPPLIED



POWER LINE FILTER

This document is proprietary to CORCOM INC. and is not to be reproduced nor used for manufacturing purposes except on CORCOM's order or prior written consent.

FINISH:	SCALE: NTS	DATE: 8-8-86	DRG. NO.	REV.
	DRW. BY: LJD	ORIGINATOR: CFW	4EXP.	03

Mouser Electronics

Authorized Distributor

Click to View Pricing, Inventory, Delivery & Lifecycle Information:

[TE Connectivity:](#)

[4EXP](#)