

6

5

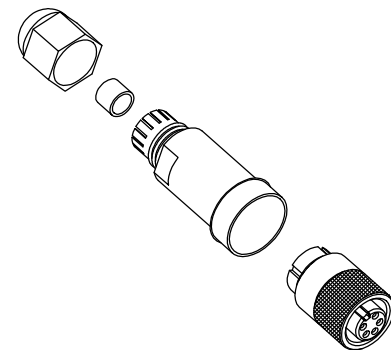
4

3

2

1

MATERIAL NUMBER	OLD PART NUMBER	COUPLING NUT MATERIAL	COUPLING NUT FINISH
1300170004	1A3000-34	BRASS	NICKEL PLATED
1300170005	1A3000-348	STAINLESS STEEL	PASSIVATED

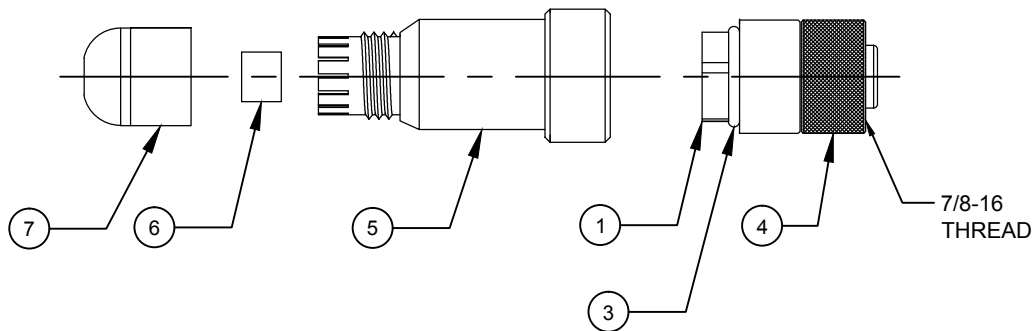
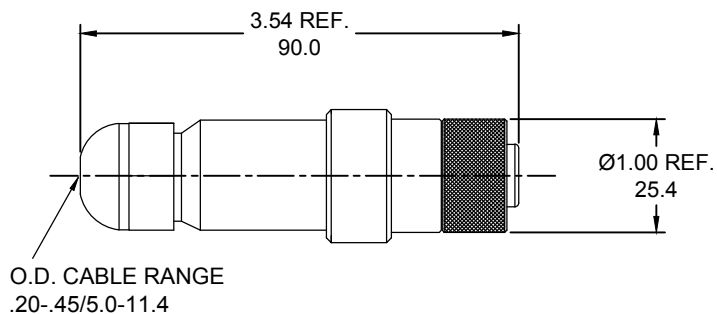


E

E

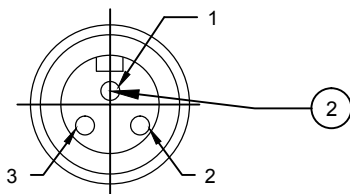
D

D



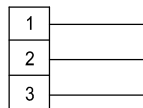
C

C



FEMALE FACE VIEW

WIRING CHART



(B1)

VOLTAGE RATING PER UL 2238	600VAC/VDC
VOLTAGE RATING PER IEC 60664	500V
AMPERAGE RATING	13 AMPS
PROTECTION	IP67 (WHEN MATED)
OPERATING TEMPERATURE	-20°C TO 80°C
CSA CERTIFICATIONS	CSA CERTIFIED, FILE NO. LR6837

B

B

A

A

ITEM	COMPONENT	MATERIAL	FINISH
1	INSERT	NYLON	BLACK
2	CONTACTS	COPPER ALLOY	GOLD PLATED
3	O-RING	NITRILE	BLACK
4	COUPLING NUT	SEE CHART	SEE CHART
5	MOLDED BODY	NYLON	BLACK
6	GROMMET	NITRILE	BLACK
7	CORD GRIP BODY	NYLON	BLACK

ADD IEC VOLTAGE RATING	5/1/17
EC NO: IFC2017-1018	DRWN: RSTONE
	CHKD: M ZIELIN 2017/05/08
	APPR: BWOODMAN
B1	REV

QUALITY SYMBOLS	▽=0
	▽C=0

GENERAL TOLERANCES (UNLESS SPECIFIED)		
	mm	INCH
4 PLACES	±---	±---
3 PLACES	±---	±---
2 PLACES	±---	±---
1 PLACE	±---	±---
ANGULAR ±---°		
DRAFT WHERE APPLICABLE MUST REMAIN WITHIN DIMENSIONS		

DIMENSION STYLE	
IN/MM	
DRAWN BY	DATE
RSTONE	2013/05/09
CHECKED BY	DATE
BW	2013/05/14
APPROVED BY	DATE
---	---
MATERIAL NO.	
SEE CHART	
SIZE	A

SCALE	DESIGN UNITS	THIRD ANGLE PROJECTION
---	INCH	☉
TITLE		
MC FIELD ATTACHABLE 3P .20-.45 OD CABLE RANGE		
Molex		
MOLEX INCORPORATED		
DOCUMENT NO.		SHEET NO.
SD-130017-002		1 OF 1
THIS DRAWING CONTAINS INFORMATION THAT IS PROPRIETARY TO MOLEX INCORPORATED AND SHOULD NOT BE USED WITHOUT WRITTEN PERMISSION		

6

5

4

3

2

1

Mouser Electronics

Authorized Distributor

Click to View Pricing, Inventory, Delivery & Lifecycle Information:

[Molex:](#)

[1300170004](#)