

**Noise Filter BLF02RD□□□GN□□      Reference Specification**

**1.Scope**

This Reference specification applies to Noise Filter BLF02RD\_GN Series.

**2.Part Numbering**

(Ex) 

|     |     |     |     |     |     |     |     |     |
|-----|-----|-----|-----|-----|-----|-----|-----|-----|
| BL  | F   | 02  | RD  | 331 | G   | N   | E   | D   |
| (1) | (2) | (3) | (4) | (5) | (6) | (7) | (8) | (9) |

- |                                |                          |
|--------------------------------|--------------------------|
| (1)Product ID                  | (7)Category              |
| (2)Type                        | (8)Rated Current No      |
| (3)Dimension (L×W)             | (9)Packaging             |
| (4)Characteristics             | D: 8mm-wide Paper taping |
| (5)Typical Impedance at 2.4GHz | B: Bulk                  |
| (6)Performance                 |                          |

\*Bulk packing also available. (A product is put in the plastic bag under the taping conditions.)

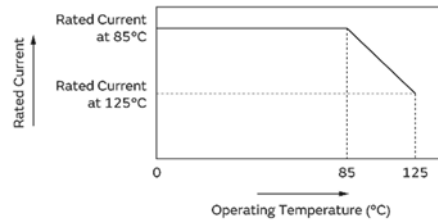
**3. Rating**

| Customer Part Number | MURATA Part Number | Impedance (Ω)<br>(at 2.4GHz,<br>Under Standard Testing Condition) | Rated Current (mA) *1 |          | DC Resistance (Ω max.) |                      |
|----------------------|--------------------|---|-----------------------|----------|------------------------|----------------------|
|                      |                    |   | at 85°C               | at 125°C | Initial Values         | Values After Testing |
|                      | BLF02RD331GNED     | 330±40%   | 330                   | 220      | 0.60                   | 0.70                 |
|                      | BLF02RD471GNED     | 470±40%   | 200                   | 130      | 0.90                   | 1.0                  |

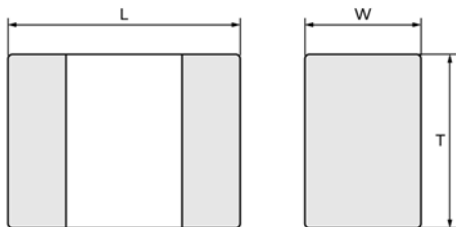
■ Operating Temperature : -55°C to +125°C      ■ Storage Temperature : -55°C to +125°C

(Note) As for the Rated current marked with \*1, Rated Current is derated as right figure depending on the operating temperature.

Derating of Rated Current



**4.Style and Dimensions**



|   |  |
|---|--|
| L | 0.40±0.02                              |
| W | 0.20±0.02                              |
| T | 0.30±0.02                              |
| e | 0.10 <sup>+0.04</sup> <sub>-0.03</sub> |

□ : Electrode (in mm)

■ Equivalent Circuit



( Resistance element becomes dominant at high frequencies. )

■ Unit Mass (Typical value)

0.125mg

**5.Marking**

No marking.

**6.Standard Testing Conditions**

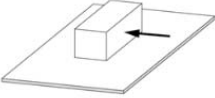
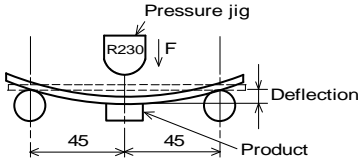
< Unless otherwise specified >  
 Temperature : Ordinary Temp. (15 °C to 35 °C)  
 Humidity : Ordinary Humidity (25%(RH) to 85%(RH))

< In case of doubt >  
 Temperature : 20°C±2 °C  
 Humidity : 60%(RH) to 70%(RH)  
 Atmospheric pressure : 86kPa to 106kPa

**7.Specifications****7-1.Electrical Performance**

| No.   | Item          | Specification | Test Method   |
|-------|---------------|---------------|---|
| 7-1-1 | Impedance     | Meet item 3.  | Measuring Frequency : 2.4GHz<br>Measuring Equipment : KEYSIGHT 4991A , 4991B<br>or the equivalent<br>Test Fixture : KEYSIGHT 16197A , 16198A or their equivalents |
| 7-1-2 | DC Resistance |               | Measuring Equipment : Digital multi meter<br>* Except resistance of the Substrate and Wire  |

**7-2.Mechanical Performance**

| No.   | Item             | Specification   | Test Method   |
|-------|------------------|---|---|
| 7-2-1 | Bonding Strength | Products shall not be damaged after tested as test method.            | It shall be soldered on the substrate.<br>Applying Force: 1N<br>Applying Time : 5s<br>   |
| 7-2-2 | Bending Strength |   | It shall be soldered on the Glass-epoxy substrate.<br>Substrate : 100mm×40mm×0.8mm<br>Deflection : 2mm<br>Speed of Applying Force : 1.0mm/s<br>Keeping Time : 20s<br>                                     |
| 7-2-3 | Vibration        | Appearance: No damage   | It shall be soldered on the substrate.<br>Oscillation Frequency : 10Hz to 2000Hz to 10Hz for 20min<br>Total amplitude 3.0mm or Acceleration amplitude 196 m/s <sup>2</sup> whichever is smaller.<br>Testing Time : A period of 2h in each of 3 mutually perpendicular directions.(Total 6h) |
| 7-2-4 | Solderability    | The electrodes shall be at least 95% covered with new solder coating. | Flux : Ethanol solution of rosin,25(wt)%<br>Pre-Heating : 150°C, 60s<br>Solder : Sn-3.0Ag-0.5Cu<br>Solder Temperature : 245°C±3°C<br>Immersion Time : 3s  |

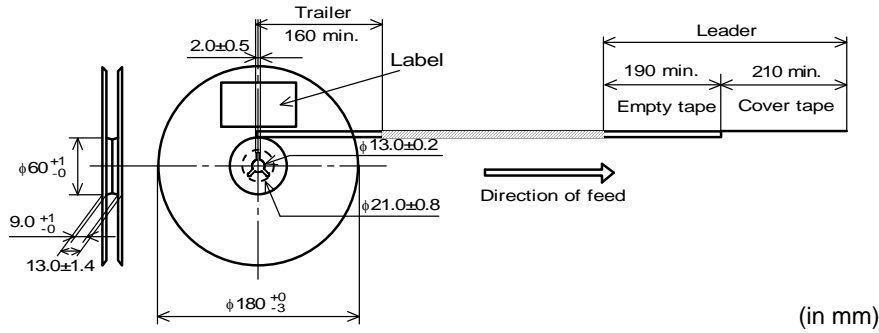
**7-3.Environmental Performance**

It shall be soldered on the substrate.

| No.   | Item              | Specification                | Test Method   |
|-------|-------------------|------------------------------|---|
| 7-3-1 | Heat Life         | Meet Table 1.<br>Table 1     | Temperature : 125°C±2°C<br>Applying Current : Rated Current (at 125°C)<br>Time : 1000h(+48h,-0h)<br>Then measured after exposure in the room condition for 4 to 48 h.   |
|       |                   | Appearance                   |   |
| 7-3-2 | Cold Resistance   | Impedance Change (at 2.4GHz) | Temperature : -55°C±2°C<br>Time : 1000h(+48h,-0h)<br>Then measured after exposure in the room condition for 4 to 48 h.  |
|       |                   | DC Resistance                |   |
| 7-3-3 | Humidity          |                              | Temperature : 40°C±2°C<br>Humidity : 90%(RH) to 95%(RH)<br>Time : 1000h(+48h,-0h)<br>Then measured after exposure in the room condition for 4 to 48 h.  |
| 7-3-4 | Temperature Cycle |                              | 1 cycle :<br>1 step : -55 °C(+0 °C,-3 °C) /30min(+3min,-0min)<br>2 step : Ordinary temp. / 3 min max.<br>3 step : +125 °C(+3 °C,-0 °C) / 30min(+3min,-0min)<br>4 step : Ordinary temp. / 3 min max.<br>Total of 100 cycles<br>Then measured after exposure in the room condition for 4 to 48 h. |

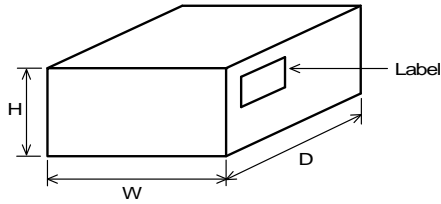


(5) Dimensions of reel and taping (leader-tape, trailer-tape)



(in mm)

**8-4. Specification of Outer Case**



| Outer Case Dimensions (mm) |     |    | Standard Reel Quantity in Outer Case (Reel) |
|----------------------------|-----|----|---|
| W                          | D   | H  |   |
| 186                        | 186 | 93 | 5   |

\* Above Outer Case size is typical. It depends on a quantity of an order.

**9. ⚠ Caution**

**9-1. Surge current**

Excessive surge current (pulse current or rush current) than specified rated current applied to the product may cause a critical failure, such as an open circuit, burnout caused by excessive temperature rise. Please contact us in advance in case of applying the surge current.

**9-2. Limitation of Applications**

Please contact us before using our products for the applications listed below which require especially high reliability for the prevention of defects which might directly cause damage to the third party's life, body or property.

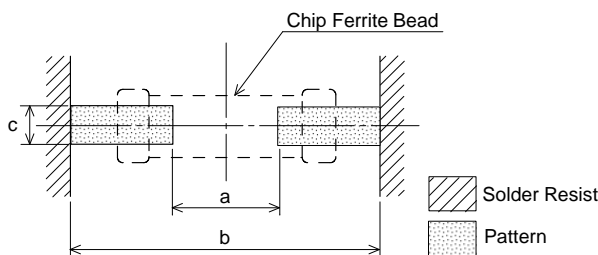
- |                                   |  |
|-----------------------------------|--|
| (1) Aircraft equipment            | (6) Disaster prevention / crime prevention equipment   |
| (2) Aerospace equipment           | (7) Traffic signal equipment   |
| (3) Undersea equipment            | (8) Transportation equipment (vehicles, trains, ships, etc.)   |
| (4) Power plant control equipment | (9) Data-processing equipment  |
| (5) Medical equipment             | (10) Applications of similar complexity and / or reliability requirements to the applications listed in the above. |

**10. Notice**

Products can only be soldered with reflow.  
This product is designed for solder mounting.  
Please consult us in advance for applying other mounting method such as conductive adhesive.

**10-1. Land pattern designing**

- Standard land dimensions (Reflow soldering)



| a    | b    | c     |
|------|------|-------|
| 0.18 | 0.48 | 0.215 |

(in mm)

**10-2. Mounting Conditions**

- Please check the mounting condition before using.
- Using mounting conditions (nozzles, equipment conditions, etc.) that are not suitable for products may lead to pick up errors, misalignment, or damage to the product.

**10-3. Soldering Conditions**

(1) Flux, Solder

|        |  |
|--------|--|
| Flux   | Use rosin-based flux, but not highly acidic flux (with chlorine content exceeding 0.2(wt)%.)<br>Do not use water-soluble flux. |
| Solder | Use Sn-3.0Ag-0.5Cu solder (Type6)<br>Standard thickness of solder paste : 50 μm to 80 μm                                       |

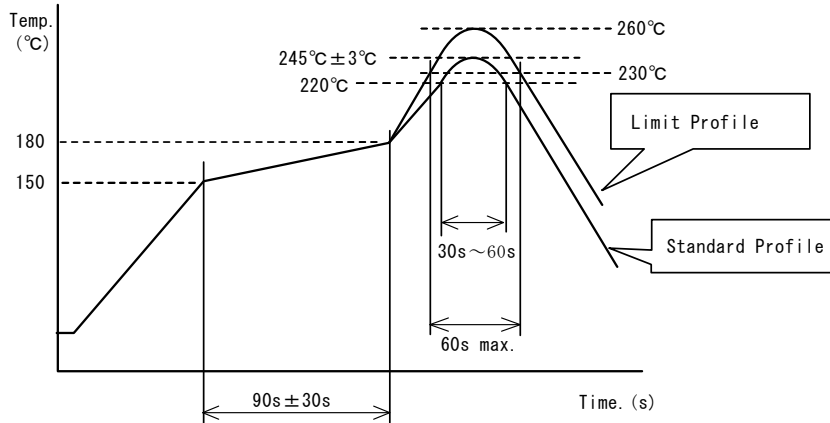
(2) Soldering conditions

- Pre-heating should be in such a way that the temperature difference between solder and ferrite surface is limited to 150°C max. Also cooling into solvent after soldering should be in such a way that the temperature difference is limited to 100°C max.

Insufficient pre-heating may cause cracks on the ferrite, resulting in the deterioration of product quality.

- Standard soldering profile and the limit soldering profile is as follows.

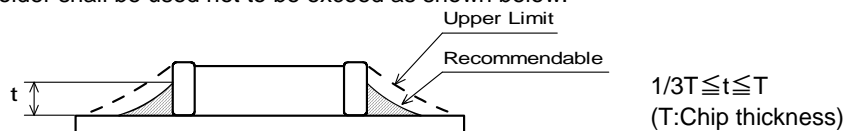
The excessive limit soldering conditions may cause leaching of the electrode and / or resulting in the deterioration of product quality.



|                  | Standard Profile    | Limit Profile        |
|------------------|---------------------|----------------------|
| Pre-heating      | 150~180°C、90s±30s   |                      |
| Heating          | above 220°C、30s~60s | above 230°C、60s max. |
| Peak temperature | 245±3°C             | 260°C, 10s           |
| Cycle of reflow  | 2 times             | 2 times              |
| Atmosphere       | N <sub>2</sub>      | N <sub>2</sub>       |

**10-4.Solder Volume**

Solder shall be used not to be exceed as shown below.



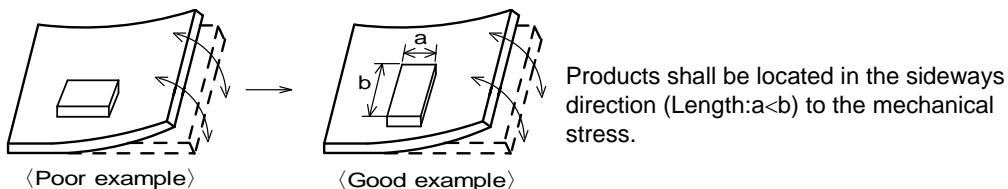
Accordingly increasing the solder volume, the mechanical stress to product is also increased. Exceeding solder volume may cause the failure of mechanical or electrical performance.

**10-5.Attention regarding P.C.B. bending**

The following shall be considered when designing and laying out P.C.B.'s.

- (1) P.C.B. shall be designed so that products are not subject to the mechanical stress for board warpage.

<Products direction>



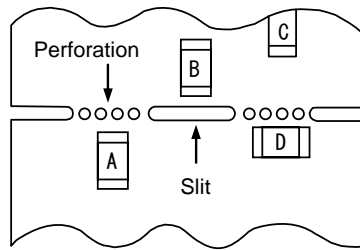
Products shall be located in the sideways direction (Length:a<b) to the mechanical stress.

- (2)Components location on P.C.B. separation.

It is effective to implement the following measures, to reduce stress in separating the board.

It is best to implement all of the following three measures; however, implement as many measures as possible to reduce stress.

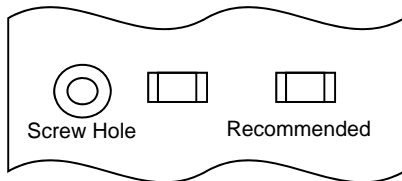
| Contents of Measures   | Stress Level |
|--|--------------|
| (1) Turn the mounting direction of the component parallel to the board separation surface. | A > D *1     |
| (2) Add slits in the board separation part.  | A > B        |
| (3) Keep the mounting position of the component away from the board separation surface.    | A > C        |



\*1 A > D is valid when stress is added vertically to the perforation as with Hand Separation.  
If a Cutting Disc is used, stress will be diagonal to the PCB, therefore A > D is invalid.

### (3) Mounting Components Near Screw Holes

When a component is mounted near a screw hole, it may be affected by the board deflection that occurs during the tightening of the screw. Mount the component in a position as far away from the screw holes as possible.



## 10-6. Mounting density

Add special attention to radiating heat of products when mounting the inductor near the products with heating. The excessive heat by other products may cause deterioration at joint of this product with substrate.

## 10-7. Cleaning Conditions

Products shall be cleaned on the following conditions.

- (1) Cleaning temperature shall be limited to 60°C max. (40°C max. for IPA.)
- (2) Ultrasonic cleaning shall comply with the following conditions, avoiding the resonance phenomenon at the mounted products and P.C.B.  
Power: 20W/ℓ max. Frequency: 28kHz to 40kHz Time: 5 min max.
- (3) Cleaner
  1. Alternative cleaner
    - Isopropyl alcohol (IPA)
  2. Aqueous agent
    - PINE ALPHA ST-100S
- (4) There shall be no residual flux and residual cleaner after cleaning.  
In the case of using aqueous agent, products shall be dried completely after rinse with de-ionized water in order to remove the cleaner.
- (5) Other cleaning  
Please contact us.

## 10-8. Operating Environment

Do not use this product under the following environmental conditions, on deterioration of the Insulation Resistance of the Ferrite material and/or corrosion of Inner Electrode may result from the use.

- (1) in the corrodible atmosphere such as acidic gases, alkaline gases, chlorine, sulfur gases, organic gases and etc. (the sea breeze, Cl<sub>2</sub>, H<sub>2</sub>S, NH<sub>3</sub>, SO<sub>2</sub>, NO<sub>2</sub>, etc)
- (2) in the atmosphere where liquid such as organic solvent, may splash on the products.
- (3) in the atmosphere where the temperature / humidity changes rapidly and it is easy to dew.

## 10-9. Resin coating

When products are coated with resin, please contact us in advance.

## 10-10. Handling of a substrate

After mounting products on a substrate, do not apply any stress to the product caused by bending or twisting to the substrate when cropping the substrate, inserting and removing a connector from the substrate or tightening screw to the substrate.

Excessive mechanical stress may cause cracking in the product.



**10-11.Storage Conditions**

## (1)Storage period

Use the products within 6 months after delivered.  
Solderability should be checked if this period is exceeded.

## (2)Storage conditions

- Products should be stored in the warehouse on the following conditions.

Temperature : -10°C to 40°C


Humidity : 15% to 85% relative humidity

No rapid change on temperature and humidity

- Don't keep products in corrosive gases such as sulfur, chlorine gas or acid, or it may cause oxidization of electrode, resulting in poor solderability.
- Products should be stored on the palette for the prevention of the influence from humidity, dust and so on.
- Products should be stored in the warehouse without heat shock, vibration, direct sunlight and so on.
- Products should be stored under the airtight packaged condition.

## (3)Delivery

Care should be taken when transporting or handling product to avoid excessive vibration or mechanical shock.

**11.  Note**

- (1)Please make sure that your product has been evaluated in view of your specifications with our product being mounted to your product.
- (2)You are requested not to use our product deviating from the reference specifications.
- (3)The contents of this reference specification are subject to change without advance notice. Please approve our product specifications or transact the approval sheet for product specifications before ordering.

# Mouser Electronics

Authorized Distributor

Click to View Pricing, Inventory, Delivery & Lifecycle Information:

[Murata:](#)

[BLF02RD331GNEE](#) [BLF02RD471GNEE](#) [BLF02RD471GNED](#) [BLF02RD331GNED](#)