

Rocker Switch Series

KLS7-001 Rocker Switch Series

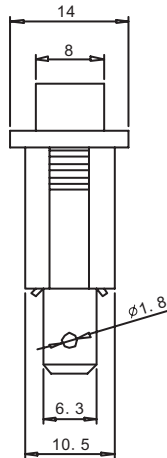
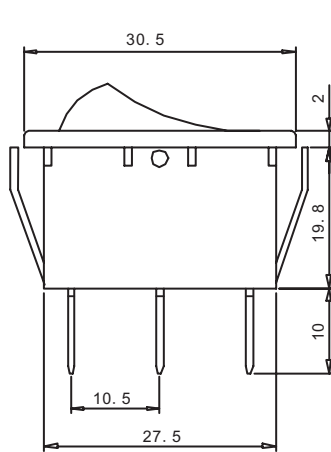
MATERIAL

1. Housing: Nylon 66
2. Rocker: PC & PA66
3. Contacts: Silver Alloy
4. Terminal: Brass Silver Plated
5. Lamp: Neon Lamp, Tungsten Lamp
6. Spring: SWP, SUS
7. Movable Arm: Brass Silver Plated

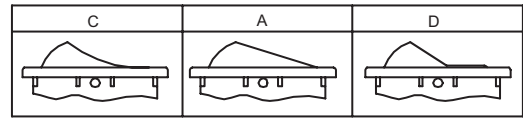


ELECTRICAL

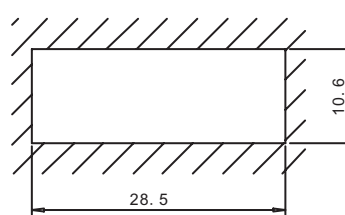
1. Electrical Rating: 10(4)A 250VAC T85
16(4)A 250VAC T125/55 1E4
15A 125V/7.5A 250AC
2. Mechanical life: Over 30000 Cycles
3. Electrical life: Over 10000 Cycles
4. Contact Resistance: <20mΩ
5. Insulation Resistance: >1000MΩ
6. High Voltage Resistance: >1500V 1 min
7. Ambient Temperature: Terminal Side -20°C~+85°C; Actuating Side -20°C~+55°C
8. Storage Temperature: -30°C~+80°C Max
9. Atmospheric Humidity: Max 85%
10. Actuating force: 4~8N(depends on different switch function)
11. Flammability: UL94 V-2
12. Temperature rise at the terminal: Max 30°C (UI1054)
13. Solder ability of terminal: Max 350°C 3S



Cap Type



Panel hole size



ORDER INFORMATION

KLS7-001-11/N-C-2 RE/BK -P1.....(2)

Series No.

Function
11/N: ON-OFF 3P w/lamp
11: ON-OFF 2P
12: ON-ON 3P

Cap Type
A: Flast
C: SoftLine
D: W/Round Len

Cap Printing
0: None
1:
2:
3:
4:
5:
8:

Color Cap/Housing
BK: Black
WT: White
RE: Red
OR: Orange
GR: Green
BL: Blue
GE: Grey

Terminal

Voltage
1: 110VAC
2: 220VAC
3: 12VDC
4: 24VDC