



110W Medical/ITE Class II External Power Supplies

Features	Benefits
• Meets DoE Level VI & EU Tier 2 Efficiency	• Easier System Approvals
• 60601-1 & 60601-1-11 Medical Certification /2xMoPP	• Suitable for B & BF Rated Equipment
• Wide Range AC, Class II Input IEC320-C8	• Global Operation
• < 0.15W Off-load Power Draw	• Consumes Less Energy



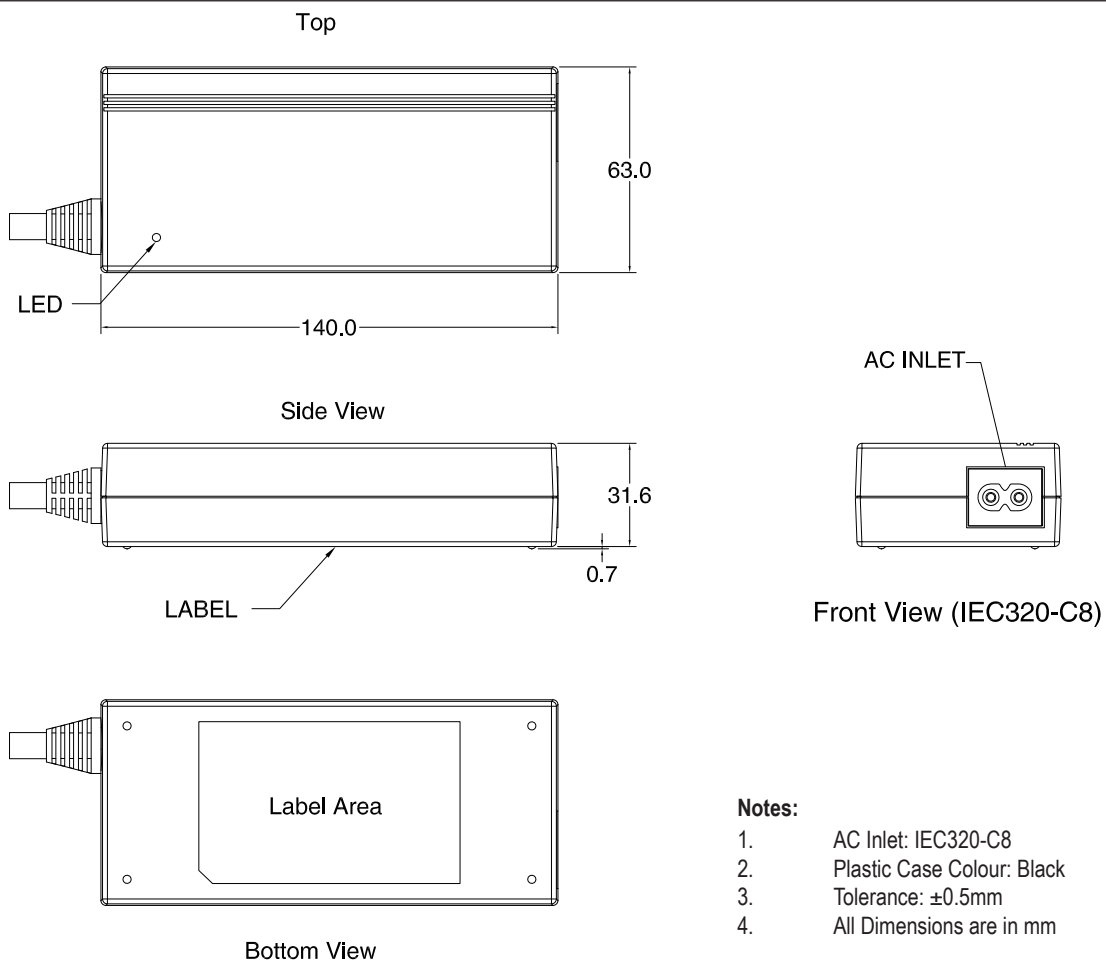
Specification		DTM110-C8
Model		DTM110-C8
Input Voltage range	VAC	90 - 264VAC (47 - 63Hz)
Inrush Current	A	<120A at 230VAC input, 25°C ambient cold start
Input Current	A	2A @90VAC; 1.25A @264VAC Maximum
Touch Current	-	<100uA @ 264VAC
Power Factor	-	Meets EN61000-3-2, >0.9 at 230VAC full load
Hold Up Time (Typ)	ms	10ms at 115VAC input
Temperature Coefficient	%/°C	±0.05%/°C
Adjustment Range	-	None
Minimum Load	A	None
Total Regulation	%	12-19V: ±5%, 24-48V: ±3%
Ripple & Noise (pk-pk)	mV	150mV
Overload & Short Circuit Protection	-	105 - 150% - hiccup mode
Overvoltage Protection	V	Cycle input power to reset
Efficiency	%	>89%, average efficiency
Operating Temperature	°C	-20°C to +60°C derate linearly to 50% load from 40°C to 60°C Derate linearly to 80% load from 0°C to -20°C
Storage Temperature	°C	-20°C to +85°C
Humidity (non condensing)	%RH	0 - 95%RH
Cooling	-	Convection
Withstand Voltage	VAC	Input to Output 4kVAC (2xMoPP)
Safety Agency Certification	-	IEC/ES/CSA/EN60601-1, IEC60601-1-11, IEC/UL/CSA/EN60950-1, CE Mark
Offload Power Consumption	W	< 0.15W
EMC	-	EN60601-2, IEC60601-1-2 Ed4:2014, EN55011 Class B, EN55032 Class B, FCC Part 15 Class B, FCC Part 18 Class B
IP Rating	-	IP41
Altitude	m	5,000m maximum
Weight (Typ)	g	780g
Size (WxLxH)	mm	63 x 140 x 33
Cable Length	mm	1000
AC Input Connector	-	IEC320-C8 (2 prong)
Output Connector	-	Kycon KPPX-4P or equivalent; Pins 1 & 2: -Vout, Pins 3 & 4: +Vout
Warranty	yrs	3

Notes: Other connectors are available. Contact factory.

Model Selector

Model	Output (V)	Maximum Output (A)	Maximum Power (W)
DTM110PW-120C8	12V	8.75A	105W
DTM110PW-150C8	15V	7.34A	110W
DTM110PW-190C8	19V	5.79A	110W
DTM110PW-240C8	24V	4.59A	110W
DTM110PW-280C8	28V	3.93A	110W
DTM110PW-360C8	36V	3.06A	110W
DTM110PW-480C8	48V	2.29A	110W

Outline Drawing DTM110-C8 Series



Dimension: L 140 (5.511") x W 63 (2.48") x H 31.6 (1.244") mm

Note: Tolerance: +/- 1mm (0.04") (L x W x H)

Notes:

1. AC Inlet: IEC320-C8
2. Plastic Case Colour: Black
3. Tolerance: ± 0.5 mm
4. All Dimensions are in mm



TDK-Lambda France SAS

3 Avenue du Canada
Parc Technopolis
Bâtiment Sigma
91940 les Ulis
France
Tel: +33 1 60 12 71 65
Fax: +33 1 60 12 71 66
france@fr.tdk-lambda.com
www.fr.tdk-lambda.com



Italy Sales Office

Via Giacomo Matteotti 62
20092 Cinisello Balsamo (MI)
Italy
Tel: +39 02 61 29 38 63
Fax: +39 02 61 29 09 00
info.italia@it.tdk-lambda.com
www.it.tdk-lambda.com



Netherlands

info@nl.tdk-lambda.com
www.nl.tdk-lambda.com



TDK-Lambda Germany GmbH

Karl-Bold-Strasse 40
77855 Achern
Germany
Tel: +49 7841 666 0
Fax: +49 7841 5000
info.germany@de.tdk-lambda.com
www.de.tdk-lambda.com



Austria Sales Office

Aredstrasse 22
2544 Leobersdorf
Austria
Tel: +43 2256 655 84
Fax: +43 2256 645 12
info@at.tdk-lambda.com
www.de.tdk-lambda.com



Switzerland Sales Office

Eichtalstrasse 55
8634 Hombrechlikon
Switzerland
Tel: +41 44 850 53 53
Fax: +41 44 850 53 50
info@ch.tdk-lambda.com
www.de.tdk-lambda.com



Nordic Sales Office

Haderslevvej 36B
DK-6000 Kolding
Denmark
Tel: +45 8853 8086
info@dk.tdk-lambda.com



TDK-Lambda UK Ltd.

Kingsley Avenue
Ilfracombe
Devon EX34 8ES
United Kingdom
Tel: +44 (0) 12 71 85 66 66
Fax: +44 (0) 12 71 86 48 94
powersolutions@uk.tdk-lambda.com
www.uk.tdk-lambda.com



TDK-Lambda Ltd.

1 Alexander Yanai
Segula
Petah-Tikva
Israel
Tel: +9 723 902 4333
Fax: +9 723 902 4777
info@tdk-lambda.co.il
www.tdk-lambda.co.il



C.I.S.

Commercial Support:

Tel: +7 (495) 665 2627

Technical Support:

Tel: +7 (812) 658 0463

info@tdk-lambda.ru

www.tdk-lambda.ru

Local Distribution

